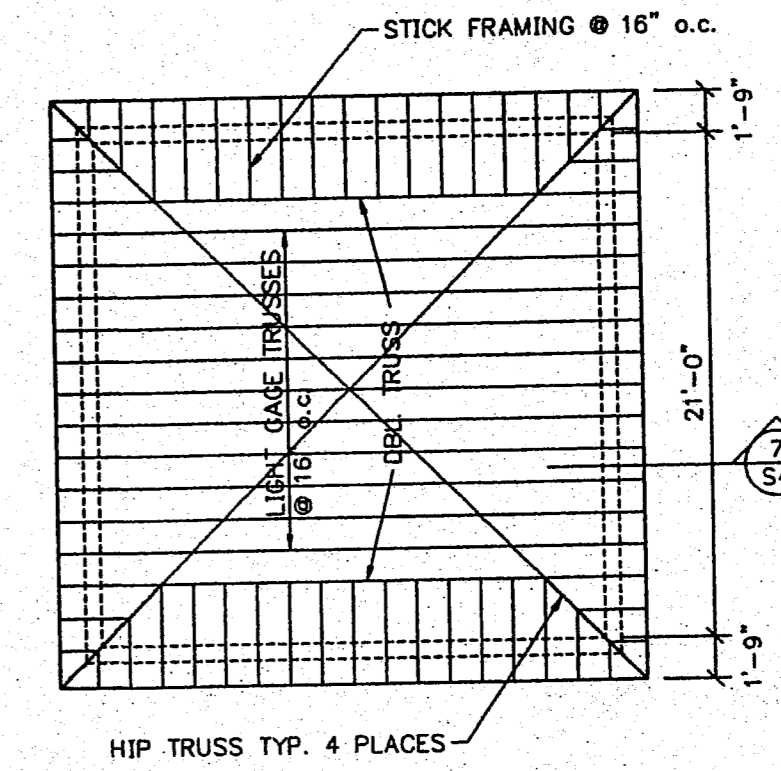
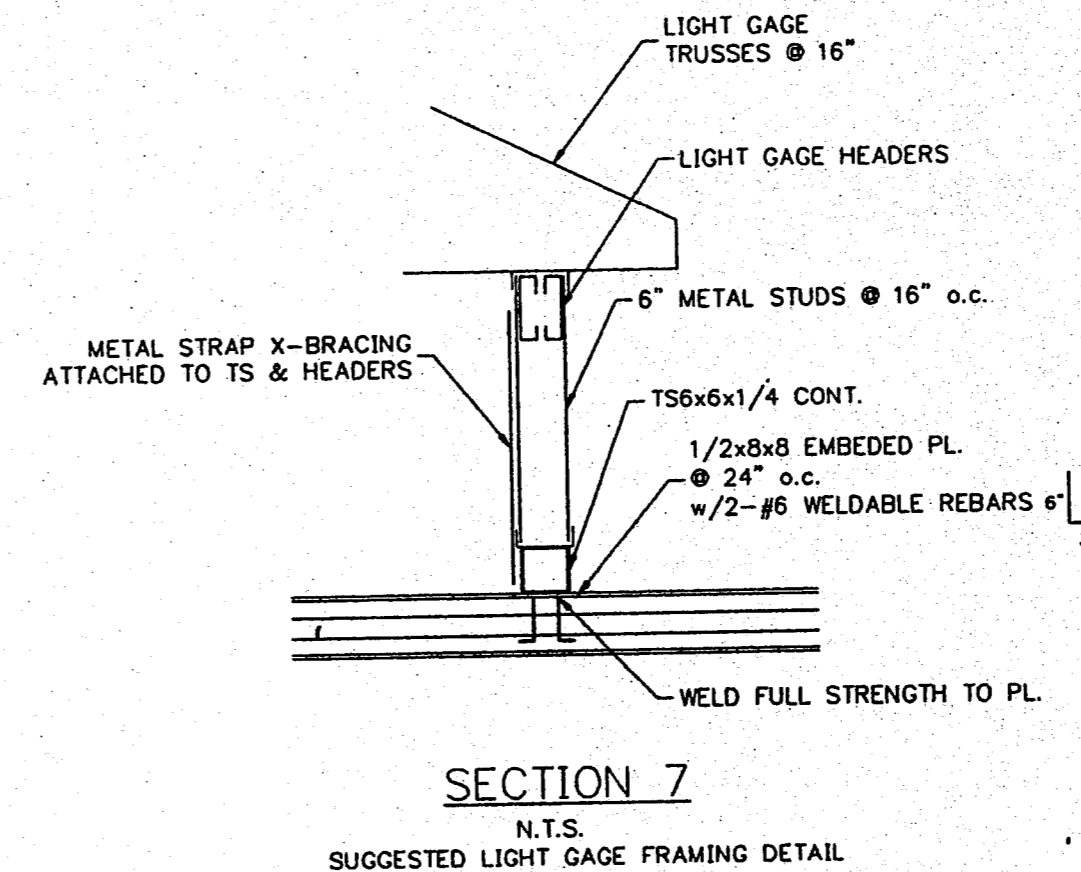
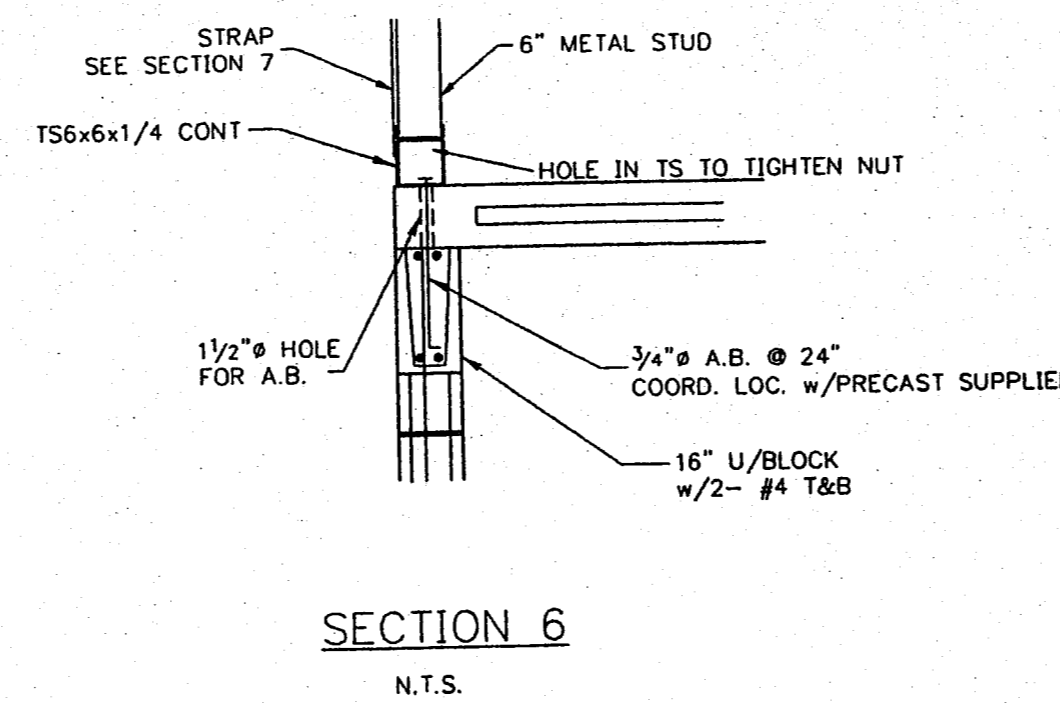
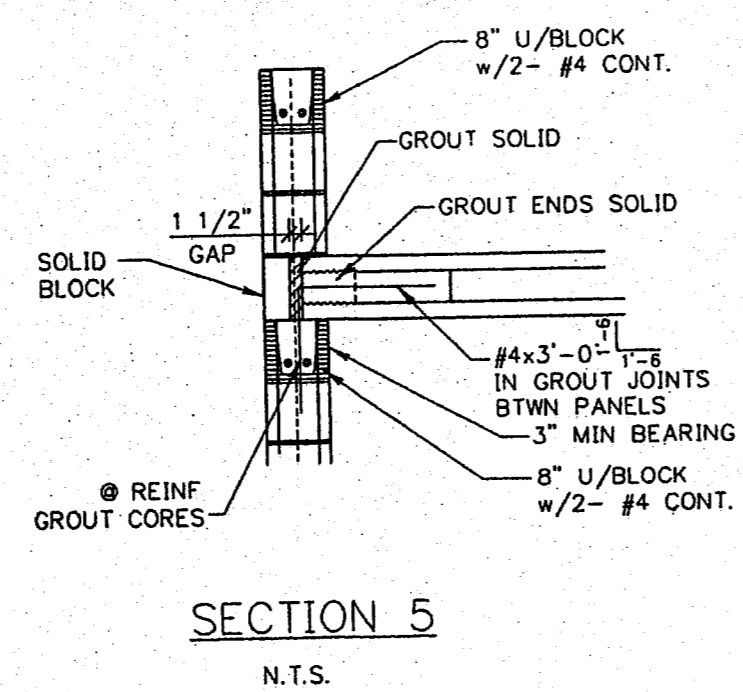
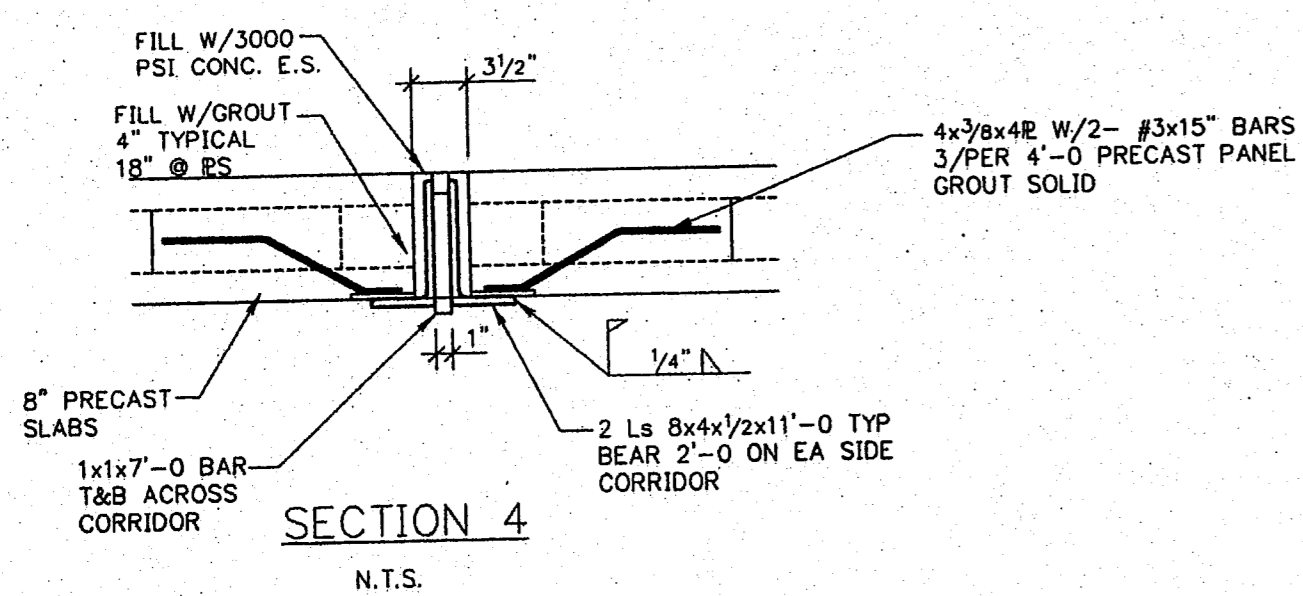
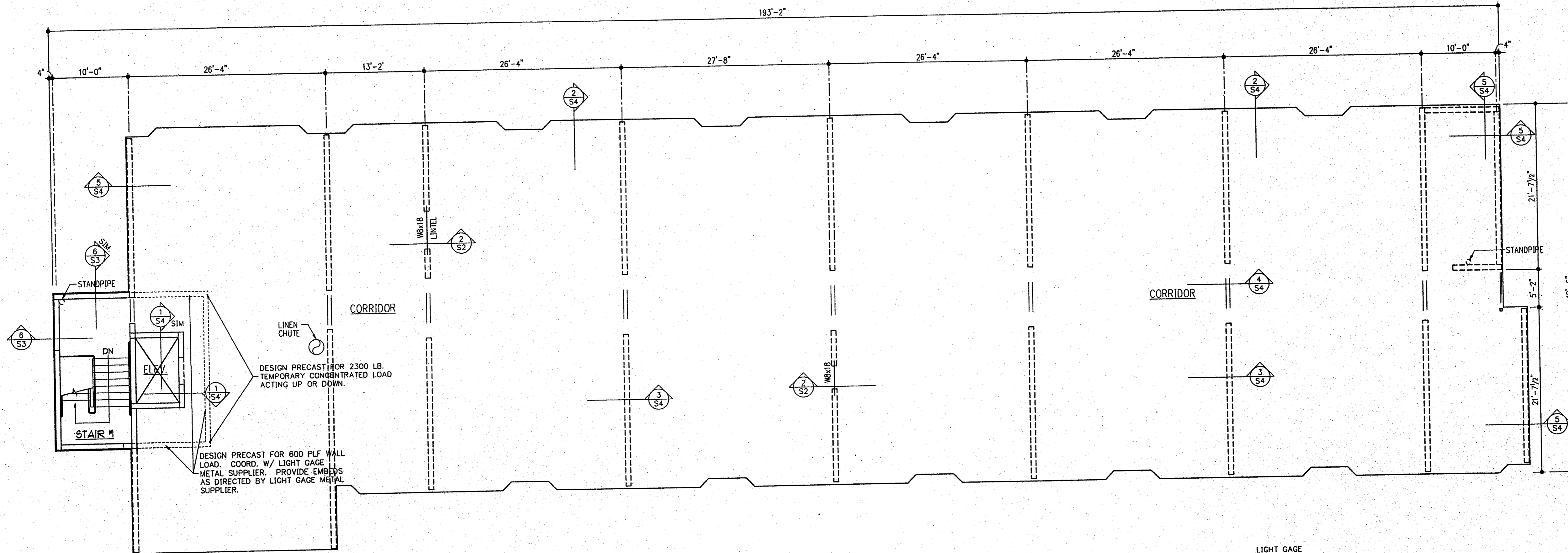


CONC. SLABS OVER STAIRS & ELEVATOR
 SCALE: 3/32" = 1'-0"
 8" PRECAST CONCRETE SLABS
 TOP OF STAIR SLAB ELEV 44'-8" ABOVE GROUND FLOOR
 TOP OF ELEVATOR SLAB ELEV 40'-0" ABOVE GROUND FLOOR



TOWER ROOF PLAN
 SCALE: 3/32" = 1'-0"
 LIGHT GAGE METAL WALL & ROOF FRAMING DESIGNED BY LIGHT GAGE METAL MANUFACTURER. PROVIDE CALCULATIONS SIGNED AND SEALED BY AN ENGINEER REGISTERED IN THE STATE OF MS. LIGHT GAGE METAL MANUF. SHALL DESIGN ALL CONN. TO BLDG. & COORD. W/ PRECAST PLANK SUPPLIER. SEE 6/S4 FOR SUGGESTED DETAIL.



ROOF PLAN
 SCALE: 1/8" = 1'-0"

8" PRECAST CONCRETE SLABS
 TOP OF SLAB ELEV 36'-0" ABOVE GROUND FLOOR

LLW, Inc.
 803 SOUTH MT. MORIAH, STE. 100B
 MEMPHIS, TENNESSEE 38117-5343
 901-683-7175/FAX 901-683-2385
 LEONARD MESSINA, ARCHITECT

▲ revisions:

▲ seal:

Sleep Inn
 Jackson, Mississippi

▲ title:
 ROOF PLAN

▲ date: 8-22-97
 ▲ job: 1697
 ▲ file: 91558-S4
 ▲ scale: 1/8" = 1'-0"

sheet
 S-4