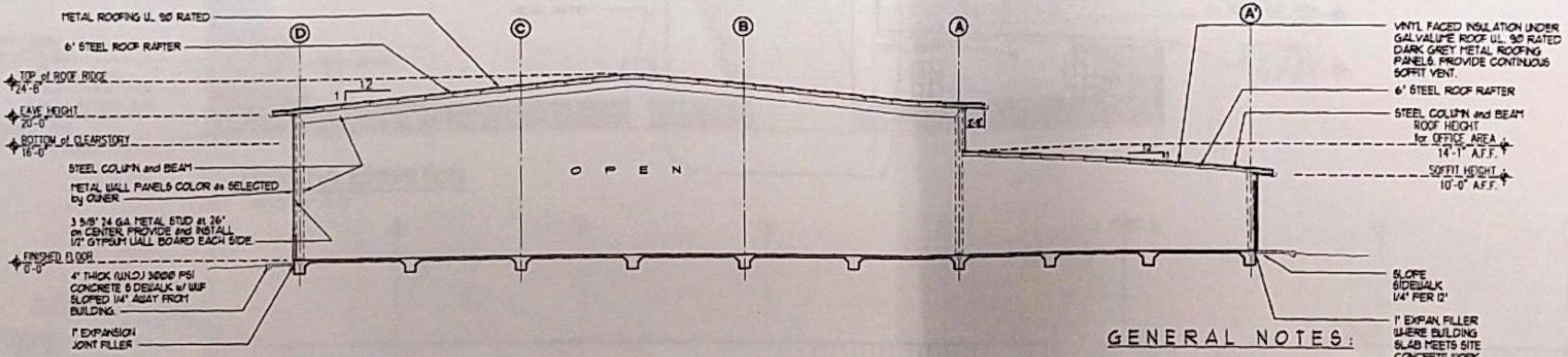


**1 Building Elevation**  
 A3a SCALE: 1/8" = 1'-0"



**GENERAL NOTES:**  
 1. 4" CONCRETE SLAB-3000 P.S.I.  
 2. FLOOR DESIGN LOAD 100 P.S.F.  
 3. PROVIDE PER COLUMN (4) 1/8" ANCHOR BOLTS

**1 Building Section**  
 A3a SCALE: 1/8" = 1'-0"

File Name

PRELIMINARY DATES		
DATE	DRAWN BY	CHECK BY

CONSTRUCTION RELEASE DATE: 12-15-04

REVISIONS		
NO.	DATE	TYPE
1	1-26-05	GENERAL
2	1-31-05	PER PLAN
3	4-1-05	PER PLAN

PROFESSIONAL OF RECORD

THESE DRAWINGS HAVE BEEN PREPARED UNDER MY DIRECT SUPERVISION AND TO THE BEST OF MY KNOWLEDGE AND BELIEF COMPLY WITH ALL APPLICABLE CODES. I WILL NOT PERFORM THE CONSTRUCTION ADMINISTRATION FOR THIS PROJECT.



**bruce j. roberts**  
 architect  
 Mandeville, Louisiana  
 70448  
 883 727 2783

**BAKER SALES**  
 60207 Camp Villere Road  
 St. Tammany Parish  
 Slidell, Louisiana 70460

**BUILDING ELEVATIONS**