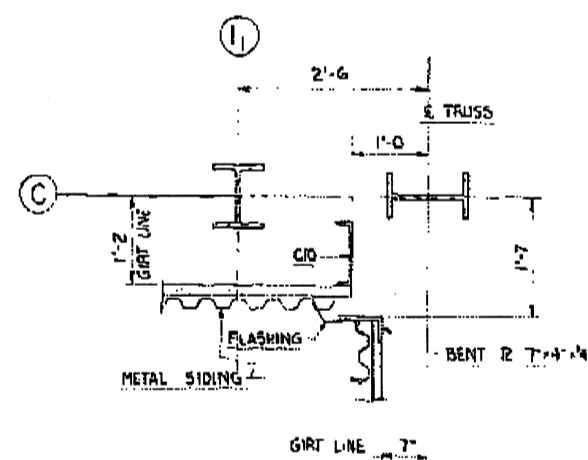
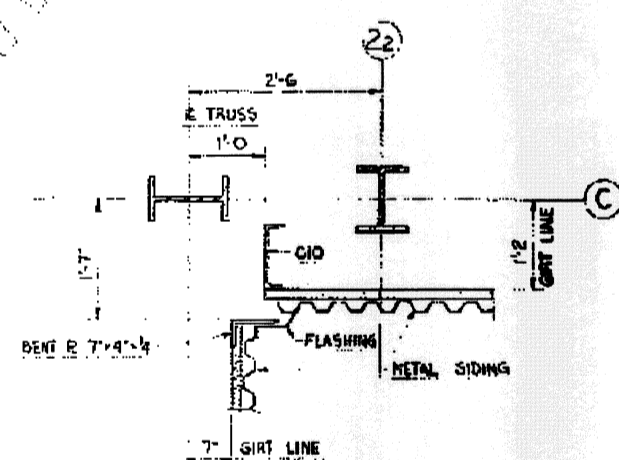


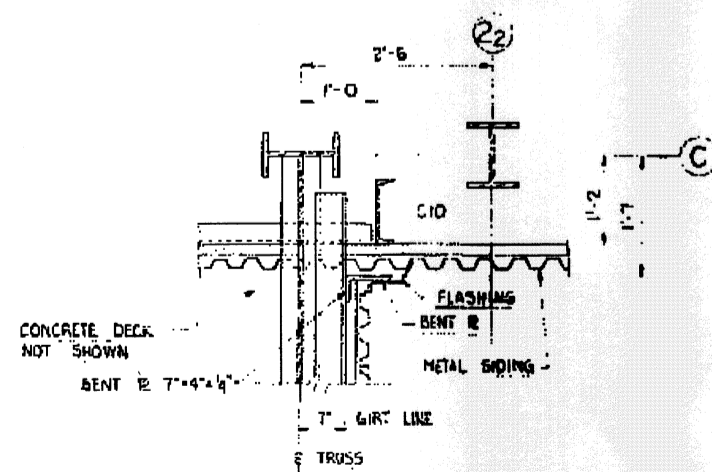
ELEVATION VIEW  
LOOKING NORTH



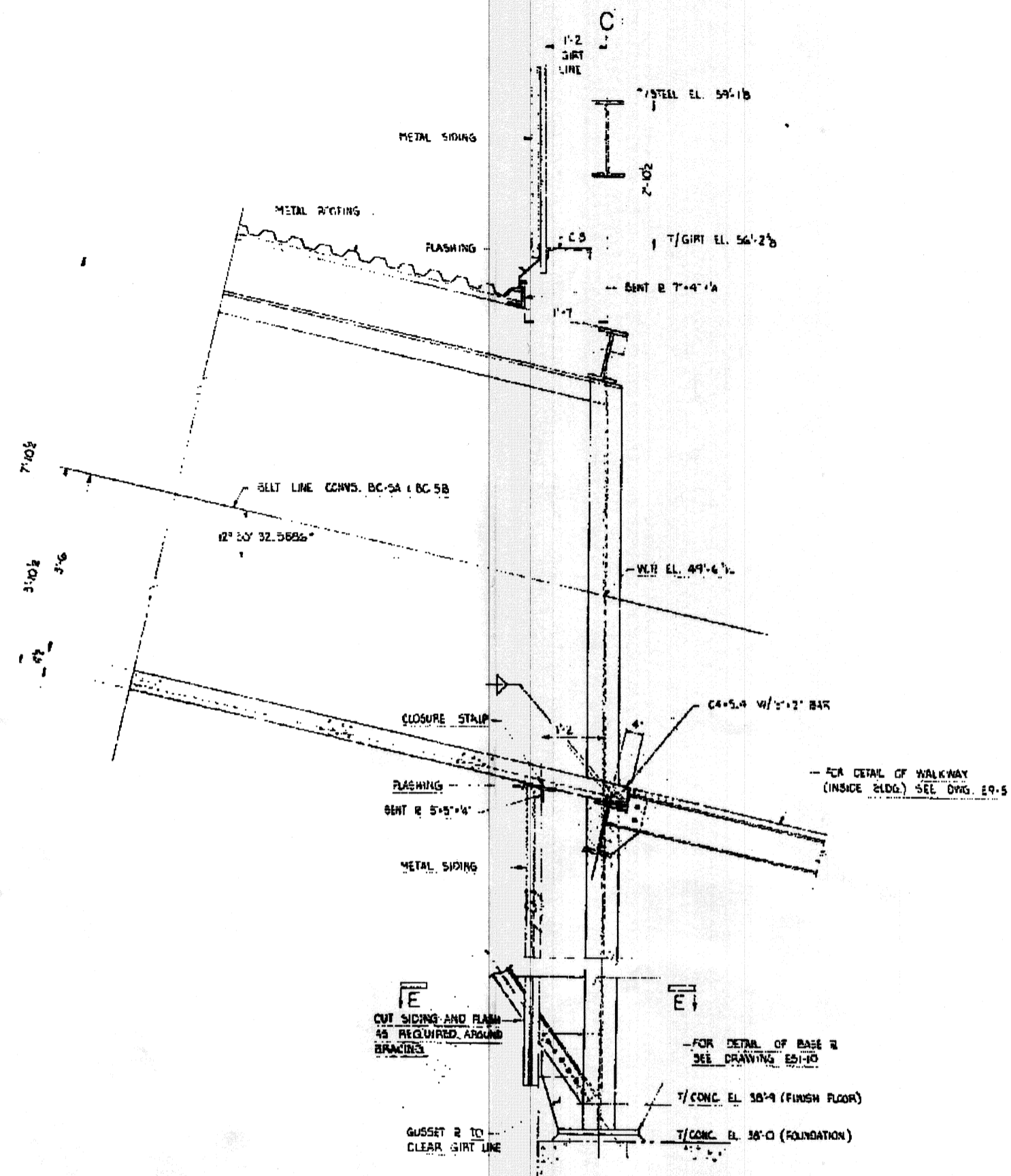
SECTION B-B



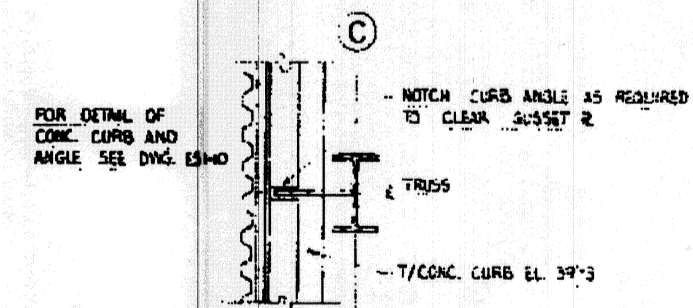
SECTION C-C



SECTION D-D



SECTION A-A



SECTION E-E

WORK THIS DRAWING WITH:

- E5-1-10 FOUNDATION PLAN - CRUSHER HOUSE
- E5-2-1 FRAMING ELEVATIONS - CRUSHER HOUSE
- E5-2-2 FRAMING ELEVATIONS
- E5-2-3 ROOF FRAMING PLANS & ELEVATIONS
- E5-2-4 FLOOR & PLATFORM FRAMING PLANS
- E5-2-5 FLOOR & PLATFORM FRAMING PLANS
- E5-2-6 STAIRS
- E5-2-7 SURGE BIN
- E5-2-8 SURGE BIN DETAILS
- E5-2-9 CONC. SLAB & CURB PL. & CAUSHEM. PL.
- E5-2-12 ENTRY DETAILS - CONVS. BC-5A & BC-5B
- E5-2-1 TRUSS T.S.1 & T.S.2
- E5-2-6 TYPICAL GALLERY DETAILS
- E9-1 GENERAL ARRANGEMENT CONVS. BC-5A & BC-5B

CALLUM ELECTRIC POWER COOPERATIVE, INC.  
11/11/52  
W/M M/M

CALLUM SYSTEMS  
JENNIS WEBB CO.

ENTRY DETAILS - CONVS. BC-5A & BC-5B  
CRUSHER HOUSE  
CALLUM ELECTRIC POWER COOPERATIVE, INC.  
Bldg. CALLUM NO. 2 POWER PLANT, BOVAY ENG. INC.  
G.L. HOGSTON  
NOV. 30, 1952

WILLIAM MENSCH

8-34836-E  
ESB-II A