

A SECTION
SCALE: 3/32" = 1'-0"

FRAMING SECTION

GENERAL NOTES

THE PURPOSE OF THIS DRAWING IS TO PROVIDE ENGINEERING DATA AND BUILDING COLUMN LOADS TO SUPPORT THE DESIGN OF A TRANSFER PLATFORM FOR SHELL OIL.

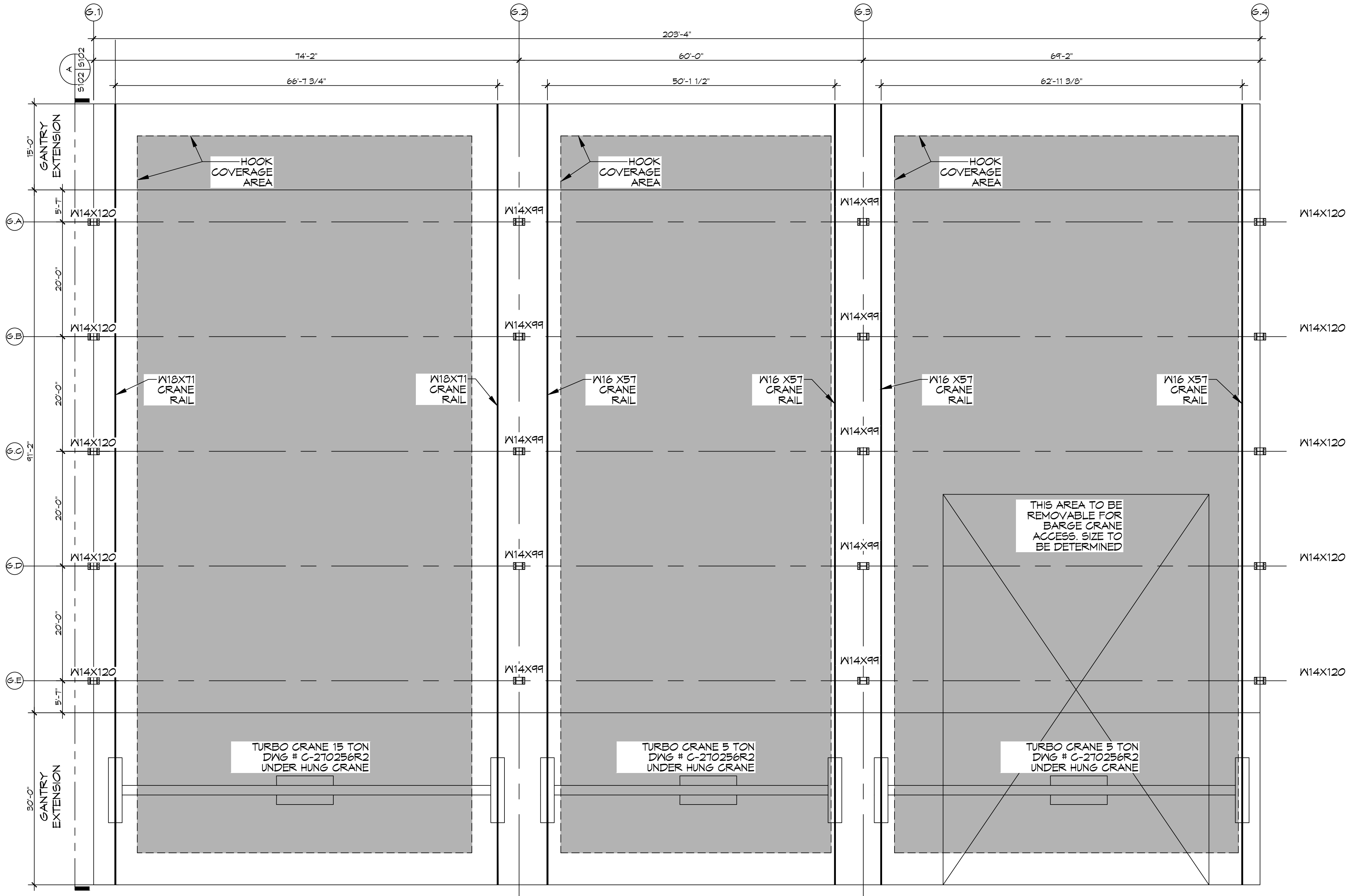
GENERAL SCOPE
THE PROJECT IS LOCATED AT THE PORT FOURCHON JUNCTION AND IS WITHIN SHELL OIL FOURCHON TERMINAL STORAGE FACILITY, GOLDEN MEADOW LOUISIANA.

PROJECT INCLUDES A PRE-ENGINEERED HYBRID OPEN STRUCTURE STEEL BUILDING BY BUTLER MFG WITH A TOTAL APPROXIMATELY 18473 SF FT GROSS AREA UNDER THE MAIN STRUCTURE WITH A THIRTY FOOT OVER HANG ON THE WATER SIDE 6090 SF FT GROSS AREA AND A FIFTEEN OVERHANG ON THE LAND SIDE 3045 SF FT GROSS AREA.

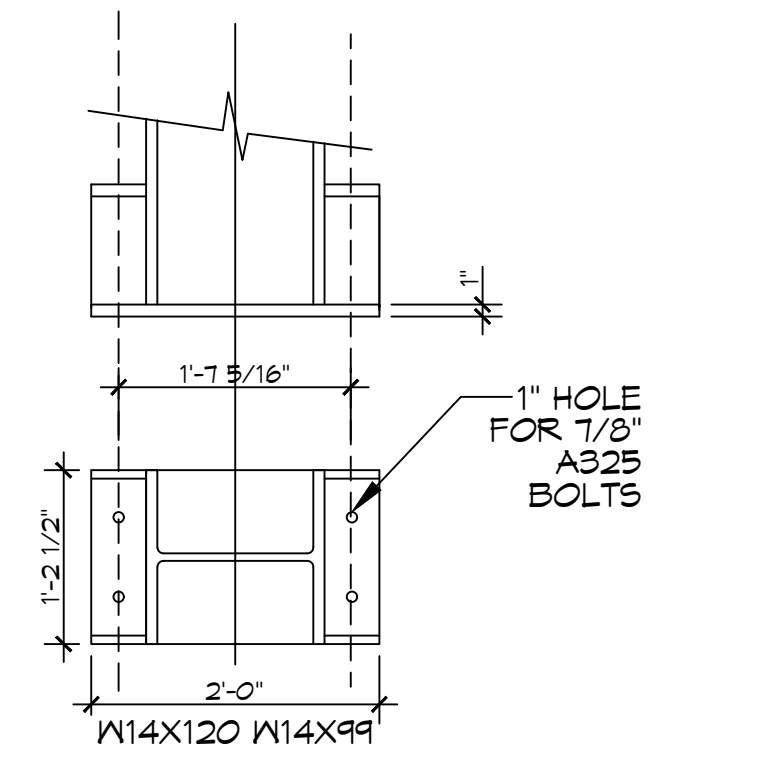
THE PROJECT INCLUDES ONE STRUCTURE WITH THREE BAYS WITH TWO FIVE TON AND ONE FIFTEEN TON UNDER HUNG CRANES.

DESIGN REQUIREMENTS
WIND SPEED 190 VMPH 10-YEAR MRI 86 VMPH 25-YEAR MRI 107 VMPH 50-YEAR MRI 120 VMPH 100-YEAR MRI 133 VMPH DATA SOURCE: ASCE/SEI 7-16, FIG. 26.5-1D AND FIGS. CG-2-1-CG-2-4, AND SECTION 26.5.2 DATE ACCESSED: SITE IS IN A HURRICANE-PRONE REGION AS DEFINED IN ASCE/SEI 7-16 SECTION 26.2.

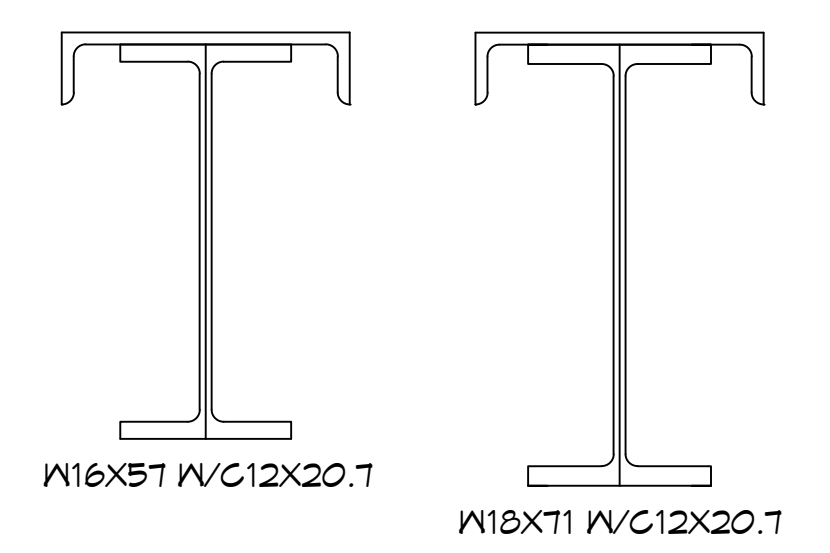
LOADS ARE CALCULATED USING TURBO CRANE DWG#270256R2 3 OF 3 STANDARD UNDER HUNG.



2 PROPOSED BUILDING LAYOUT
SCALE: 3/32" = 1'-0"



BASE PLATE
SCALE: 3/4" = 1'-0" COLUMN



CRANE RAILS
SCALE: 1-1/2" = 1'-0" SECTION

DAMMON ENGINEERING, INC.
LOUISIANA & MISSISSIPPI
Chief Engineer: Brian Hatch, PE
554 Old Spanish Trail
Stell, LA 70458
www.dammonengineering.com
info@dammonengineering.com
PH: 985.649.8832

REVISIONS	DATE
#	DESCRIPTION

SEAL:

NEW CRANE SUPPORT STRUCTURE
SHELL OIL
FOURCHON JUNCTION RAISED
FACILITY
FOURCHON, LA
JOB No: 07-19-24
DATE: 24-00
DRAWN BY: CKD
CHECKED BY: CKD
CD

SHEET TITLE:
PROPOSED BUILDING
LAYOUT AND DETAILS
DRAWING NUMBER:
S102
SHEET No: 1 of 3