

GENERAL NOTES

1. REFER TO INTERIOR FINISH LEGEND FOR FINISHES.
2. REFER TO EQUIPMENT SCHEDULES FOR EQUIPMENT.
3. DO NOT PAINT BEHIND LAMINATE

STIPULATION FOR REUSE
 THE DRAWINGS ARE PREPARED FOR USE ON A SPECIFIC SITE AT A SPECIFIC TIME. THE DRAWINGS ARE NOT TO BE REUSED FOR ANY OTHER PROJECT WITHOUT THE WRITTEN CONSENT OF HFA. THE USER OF THESE DRAWINGS SHALL BE RESPONSIBLE FOR OBTAINING ALL NECESSARY PERMITS AND FOR VERIFYING THE ACCURACY OF ALL INFORMATION PROVIDED BY THE CLIENT. HFA SHALL NOT BE RESPONSIBLE FOR ANY ERRORS OR OMISSIONS IN THE DRAWINGS OR FOR ANY CONSEQUENCES ARISING FROM THE USE OF THESE DRAWINGS.

Love's
 STORE NUMBER: 860
 I-59, EXIT 1
 NICHOLSON, MS 39466
 JOB NUMBER: 03-23-30009

ISSUE BLOCK

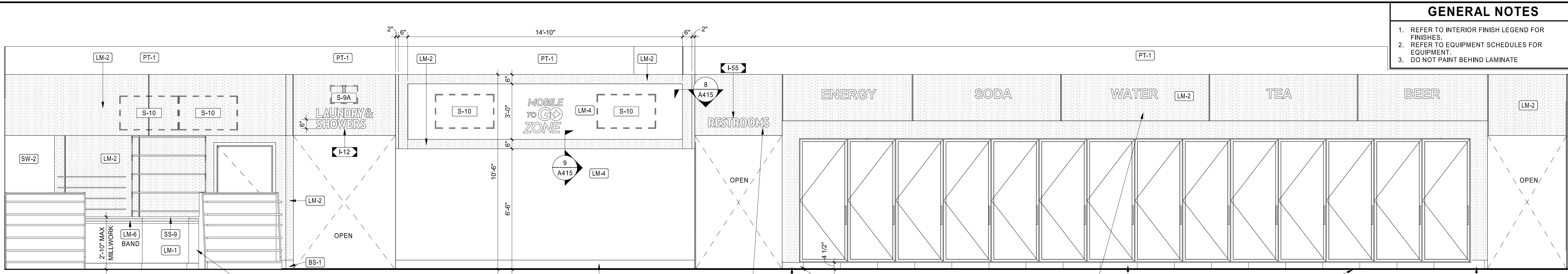
NO.	DESCRIPTION	DATE

CHECKED BY: MAP
 DRAWN BY: ASE
 DOCUMENT DATE: 02/06/23
 PROTO: T1-180
 PROTO CYCLE: Q4 - 2022

REGISTERED ARCHITECT
 BOGUE L. EBBRECHT
 STATE OF MISSISSIPPI
 4925
 Bogue Louis Ebbrecht
 1533 55-0607

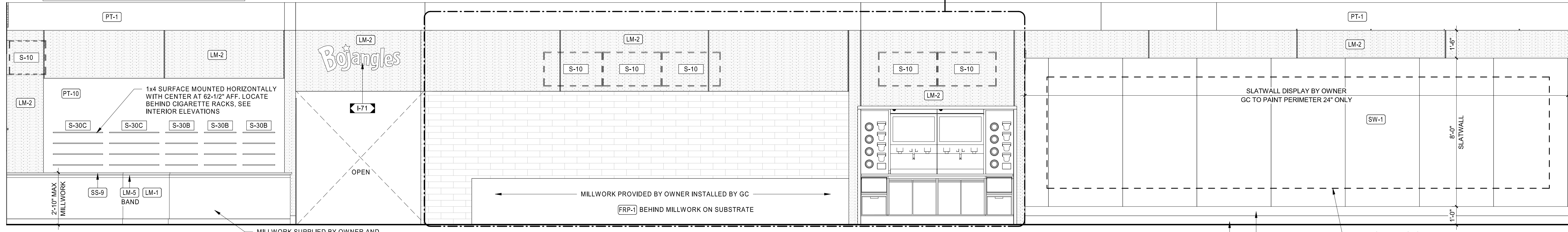
INTERIOR ELEVATIONS

SHEET: **A415**



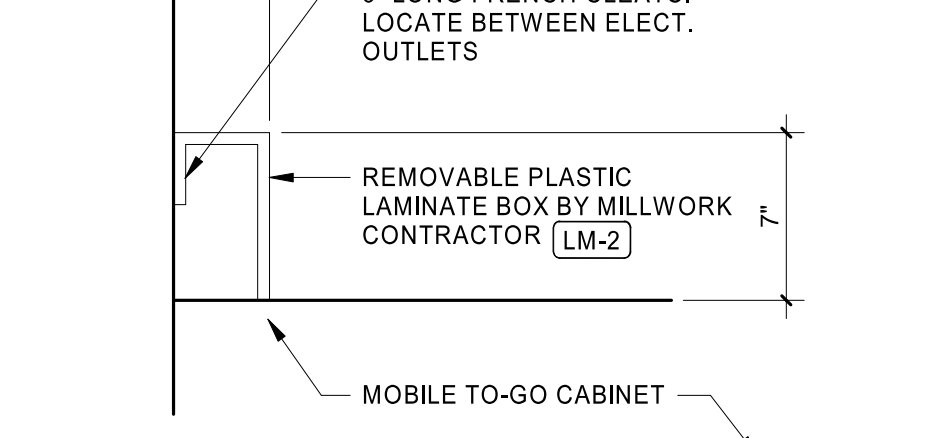
6 INTERIOR ELEVATION
 3/8" = 1'-0"

GC TO COORDINATE POS MOUNT AND CARD READER LOCATION WITH LOVE'S CONSTRUCTION MANAGER PRIOR TO INSTALLATION AT SERVICE COUNTER MILLWORK



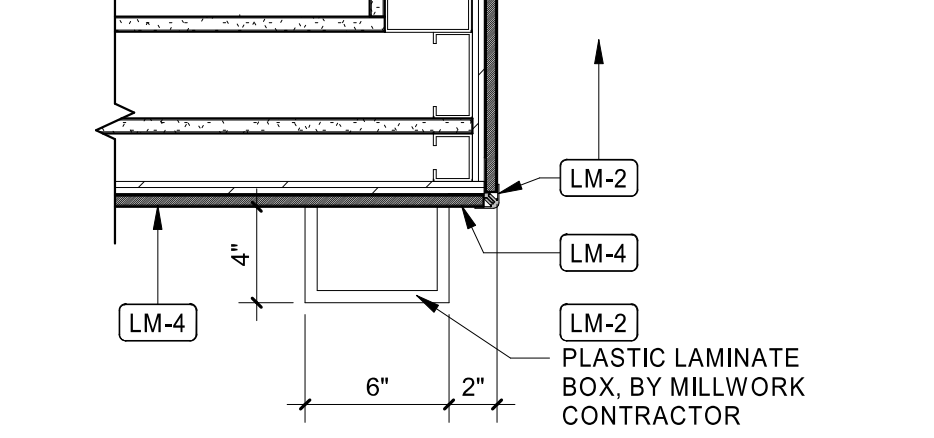
5 INTERIOR ELEVATION
 3/8" = 1'-0"

MILLWORK SUPPLIED BY OWNER AND INSTALLED BY MILLWORK CONTRACTOR



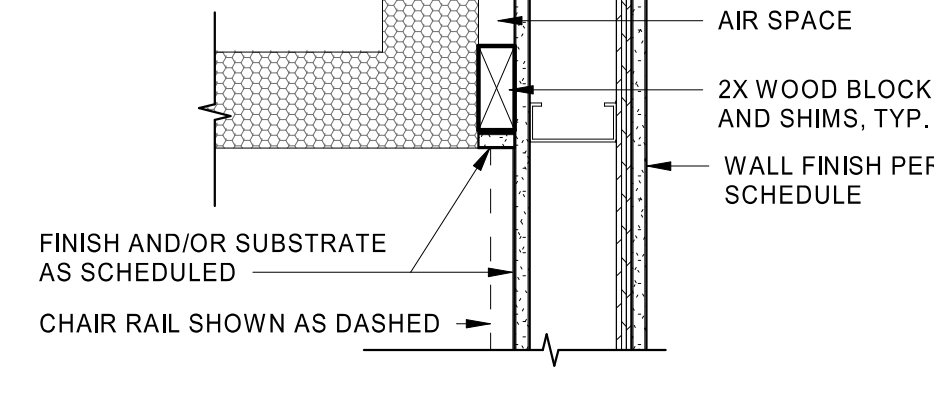
9 MTGZ DETAIL
 1 1/2" = 1'-0"

REMOVABLE PLASTIC LAMINATE BOX BY MILLWORK CONTRACTOR



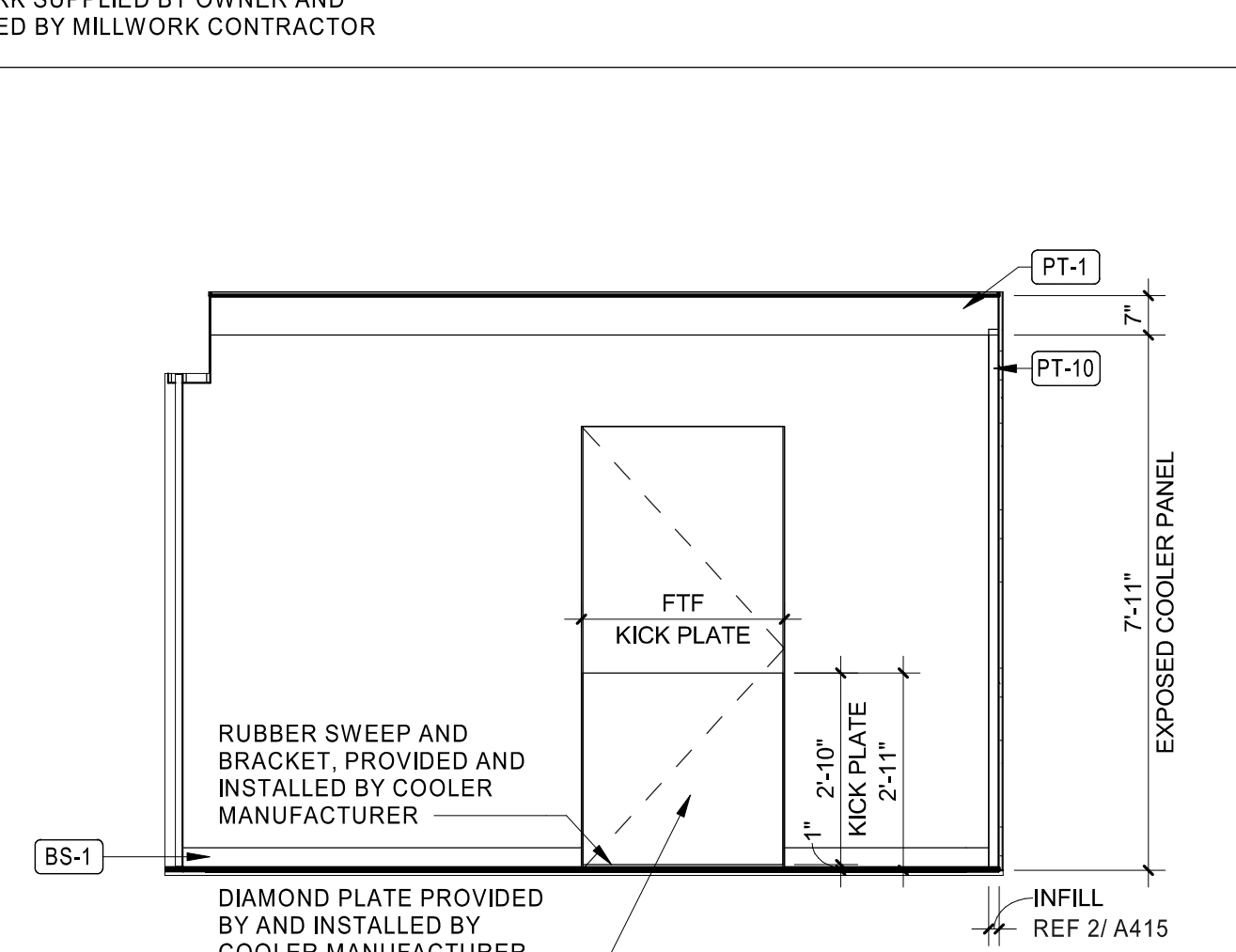
8 MTGZ DETAIL
 1 1/2" = 1'-0"

WALL OF COOLER
 AIR SPACE
 2X WOOD BLOCKING AND SHIMS, TYP.
 WALL FINISH PER FINISH SCHEDULE
 FINISH AND/OR SUBSTRATE AS SCHEDULED
 CHAIR RAIL SHOWN AS DASHED



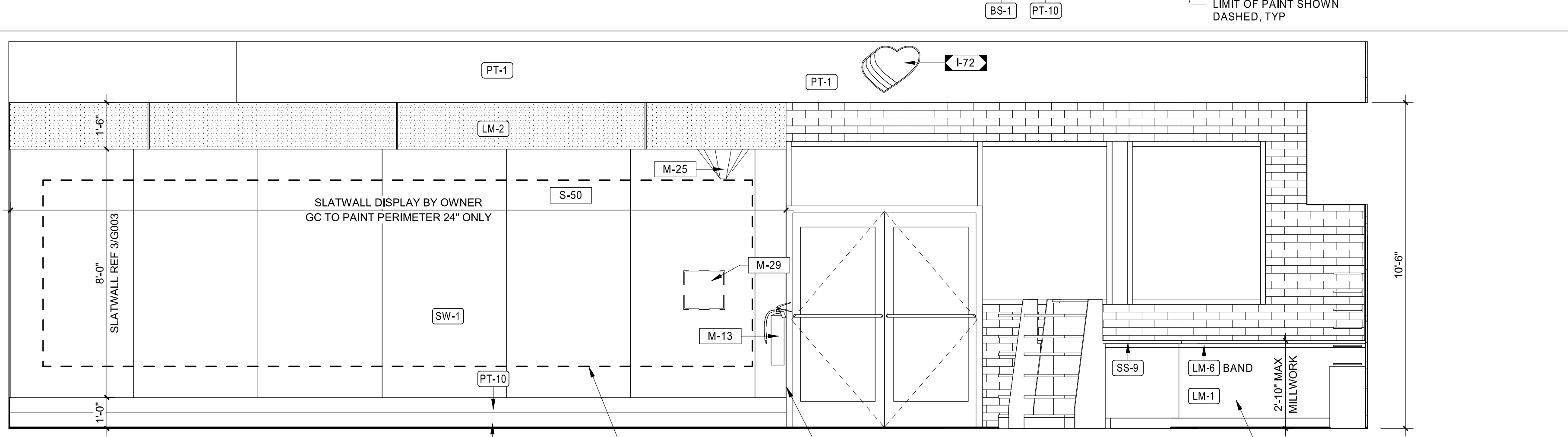
2 COOLER INFILL DETAIL
 1 1/2" = 1'-0"

DIAMOND PLATE PROVIDED BY AND INSTALLED BY COOLER MANUFACTURER



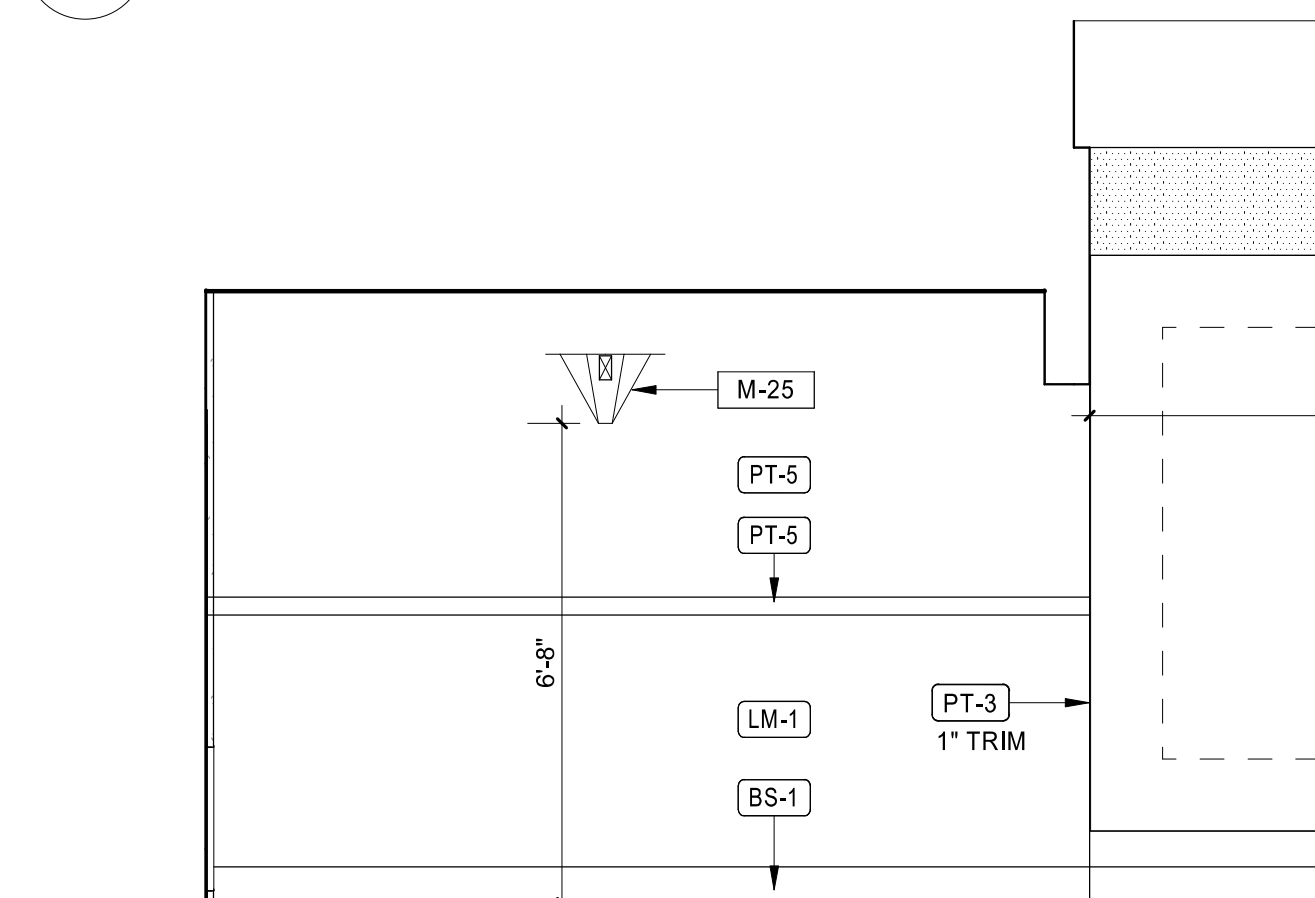
4 HALLWAY ELEVATION
 3/8" = 1'-0"

RUBBER SWEEP AND BRACKET, PROVIDED AND INSTALLED BY COOLER MANUFACTURER



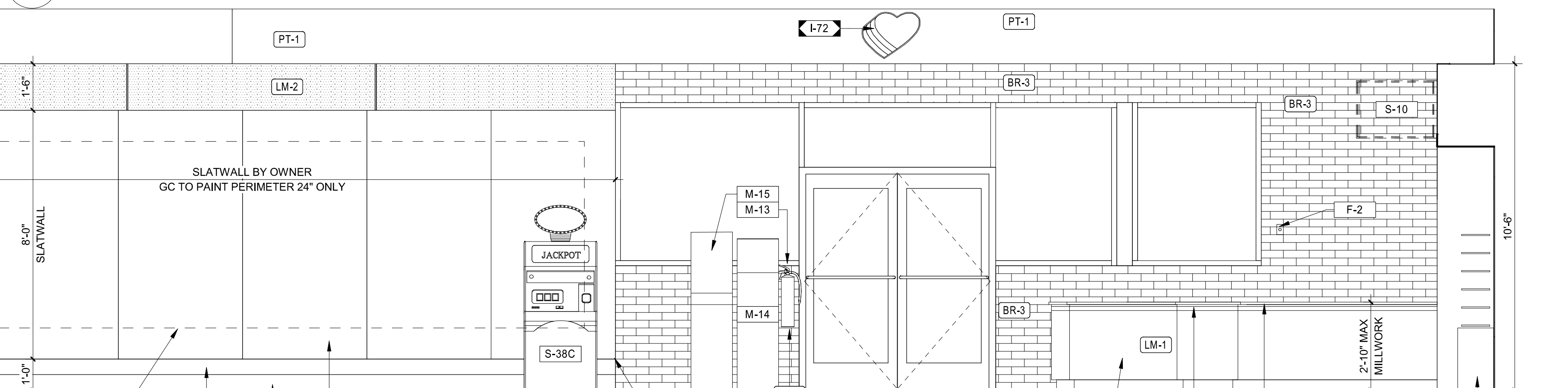
3 INTERIOR ELEVATION
 3/8" = 1'-0"

SLATWALL DISPLAY BY OWNER GC TO PAINT PERIMETER 24" ONLY



1 INTERIOR ELEVATION
 3/8" = 1'-0"

SLATWALL BY OWNER GC TO PAINT PERIMETER 24" ONLY



3 INTERIOR ELEVATION
 3/8" = 1'-0"

SLATWALL BY OWNER GC TO PAINT PERIMETER 24" ONLY