

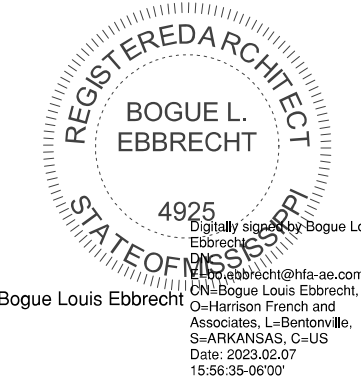
STIPULATION FOR REUSE
THIS DRAWING IS PREPARED FOR
USE ON A SPECIFIC SITE AT
CONTINGENTLY WITH ITS ISSUE
DATE. IT IS NOT TO BE REUSED
FOR ANY OTHER PROJECT OR
PRODUCT SITE OR AT A LATER TIME
WITHOUT THE WRITTEN CONSENT
OF HARRISON FRENCH & ASSOCIATES,
P.L.L.C. OR ANOTHER PROJECT
ENGINEER. ANY REUSE OF THIS
DRAWING FOR ANY OTHER PROJECT
WITHOUT THE WRITTEN CONSENT OF
HARRISON FRENCH & ASSOCIATES,
P.L.L.C. IS PROHIBITED AND MAY BE
CONSIDERED A VIOLATION OF THE
LAW.



STORE NUMBER: 860
I-59, EXIT 1
NICHOLSON, MS 39466
JOB NUMBER: 03-23-30009

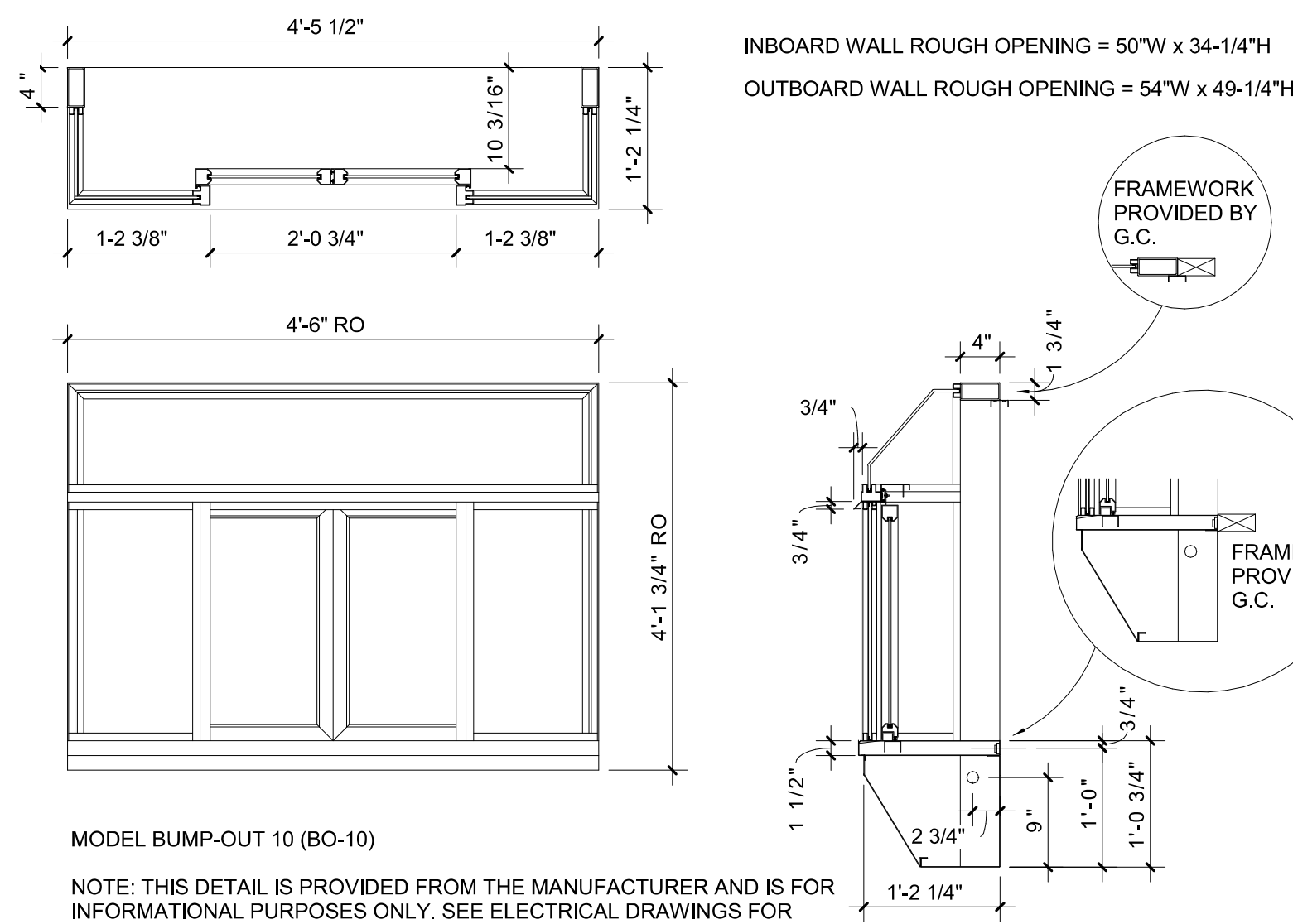
ISSUE BLOCK	

CHECKED BY:	MAP
DRAWN BY:	ASE
DOCUMENT DATE:	02/06/23
PROTO:	BOJANGLES
PROTO CYCLE:	Q4 - 2022



DOOR AND WINDOW SCHEDULES, ELEVATIONS, AND DETAILS

SHEET: BGA602

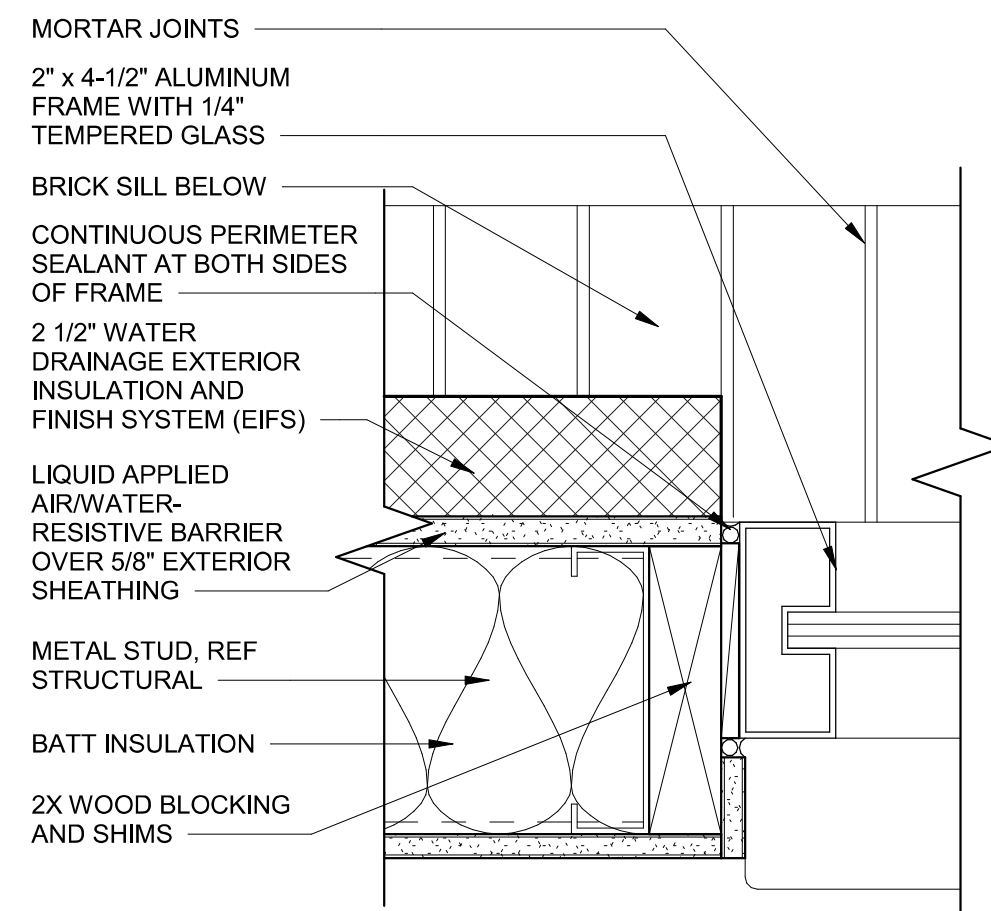


MODEL BUMP-OUT 10 (BO-10)

NOTE: THIS DETAIL IS PROVIDED FROM THE MANUFACTURER AND IS FOR INFORMATIONAL PURPOSES ONLY. SEE ELECTRICAL DRAWINGS FOR POWER REQUIREMENTS.

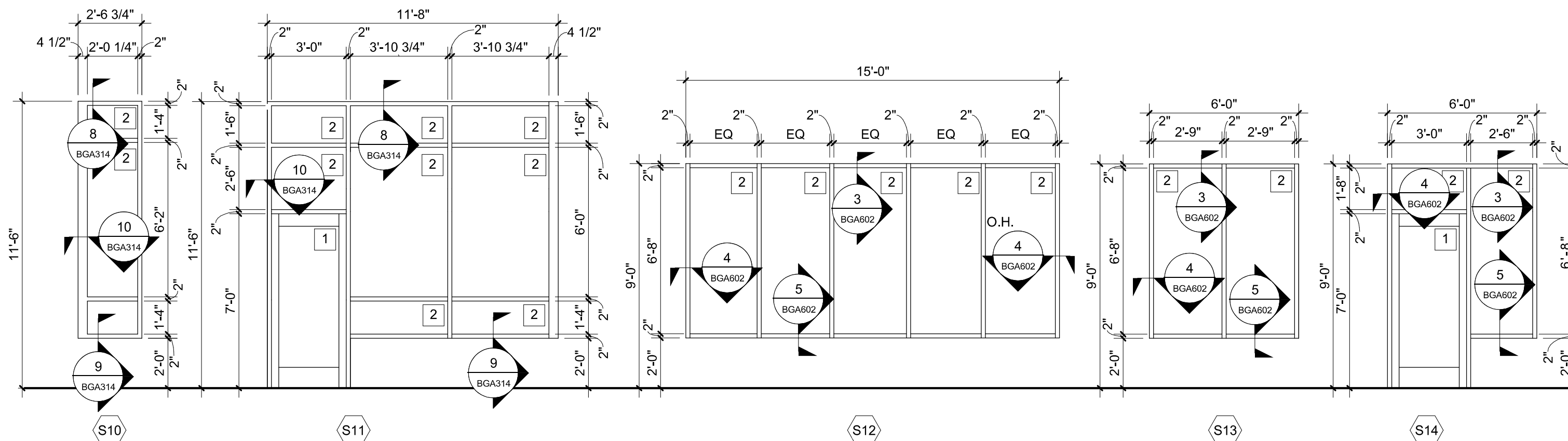
7 DRIVE-THRU WINDOW

NTS



4 STOREFRONT JAMB DETAIL

3\"/>



LEGEND:

- | | | |
|-----------|-----------|-----------|
| 1 1/4\"/> | 3 1/4\"/> | 5 1/4\"/> |
| 2 1/4\"/> | 4 1/4\"/> | |

(CONTRACTOR TO VERIFY STOREFRONT OPENINGS BEFORE ORDERING FRAME.)
* INDICATES TEMPERED GLASS.

NOTES:

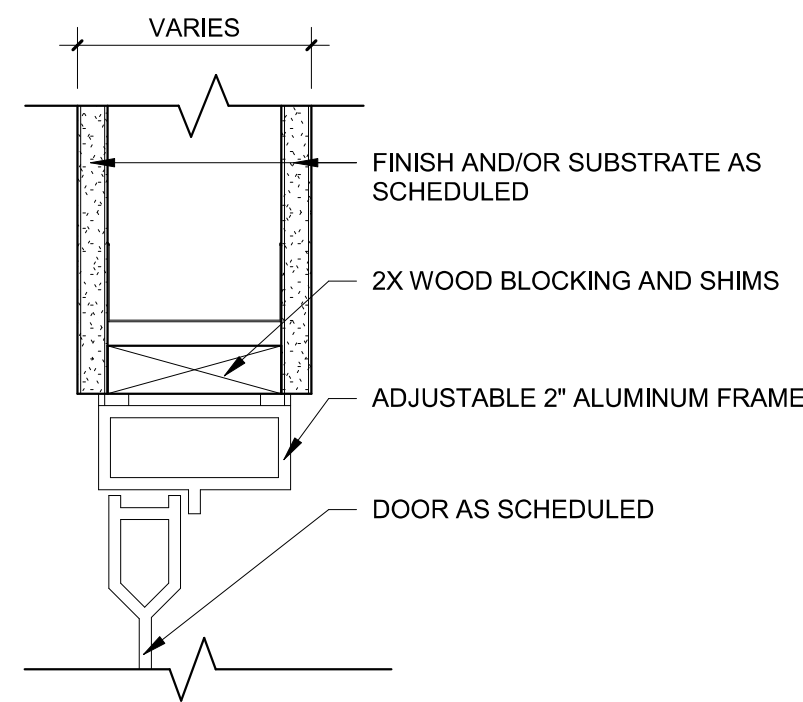
- STOREFRONT: TUBELITE, T24650 SERIES. BLACK FINISH ON ALL STOREFRONT UNLESS NOTED OTHERWISE
- STOREFRONT DOORS: TUBELITE (III SERIES) BLACK FINISH
- FIELD VERIFY ALL DIMENSIONS

1 WINDOW ELEVATIONS

1/4\"/>

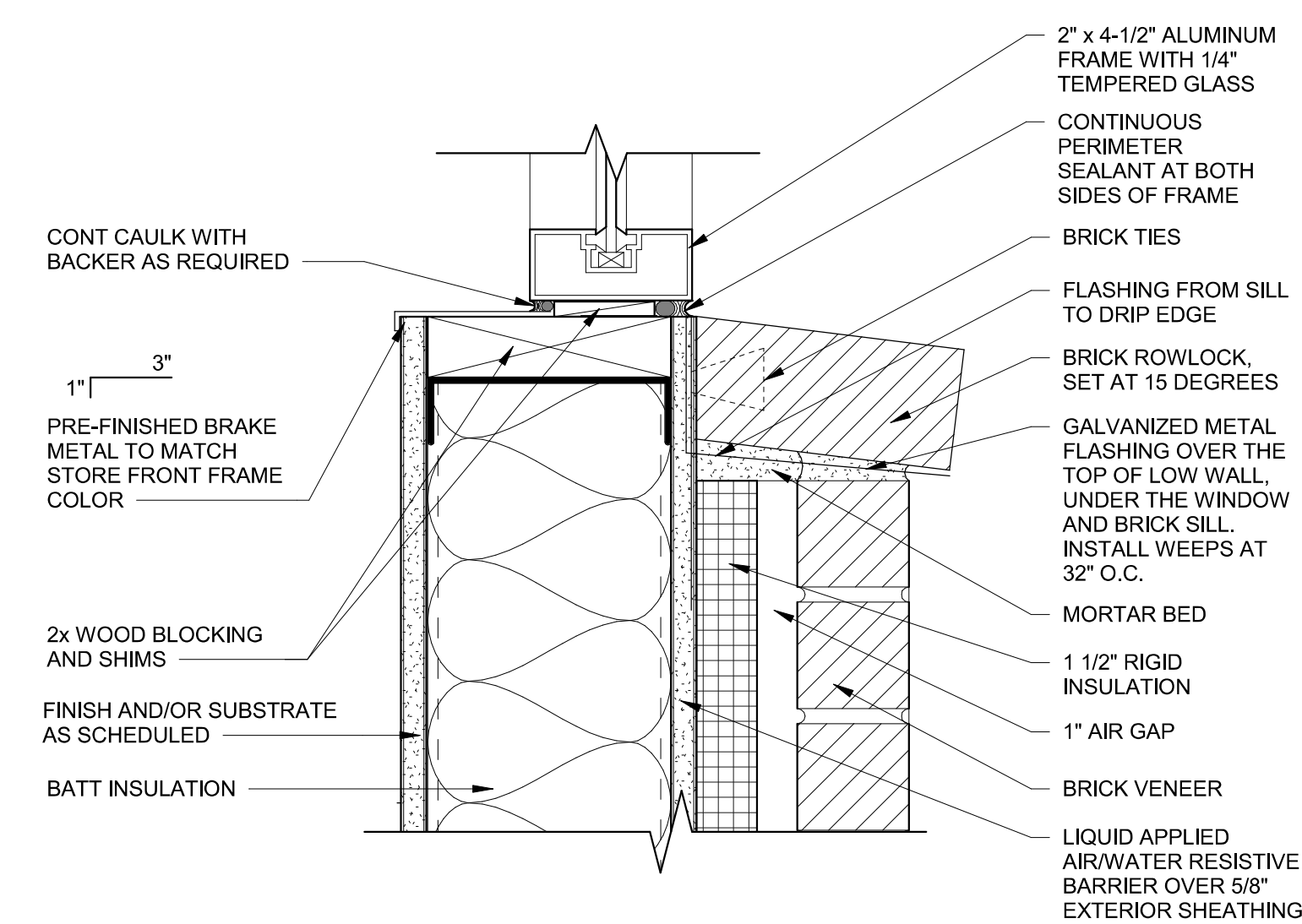
6 HEAD/JAMB DETAIL

3\"/>



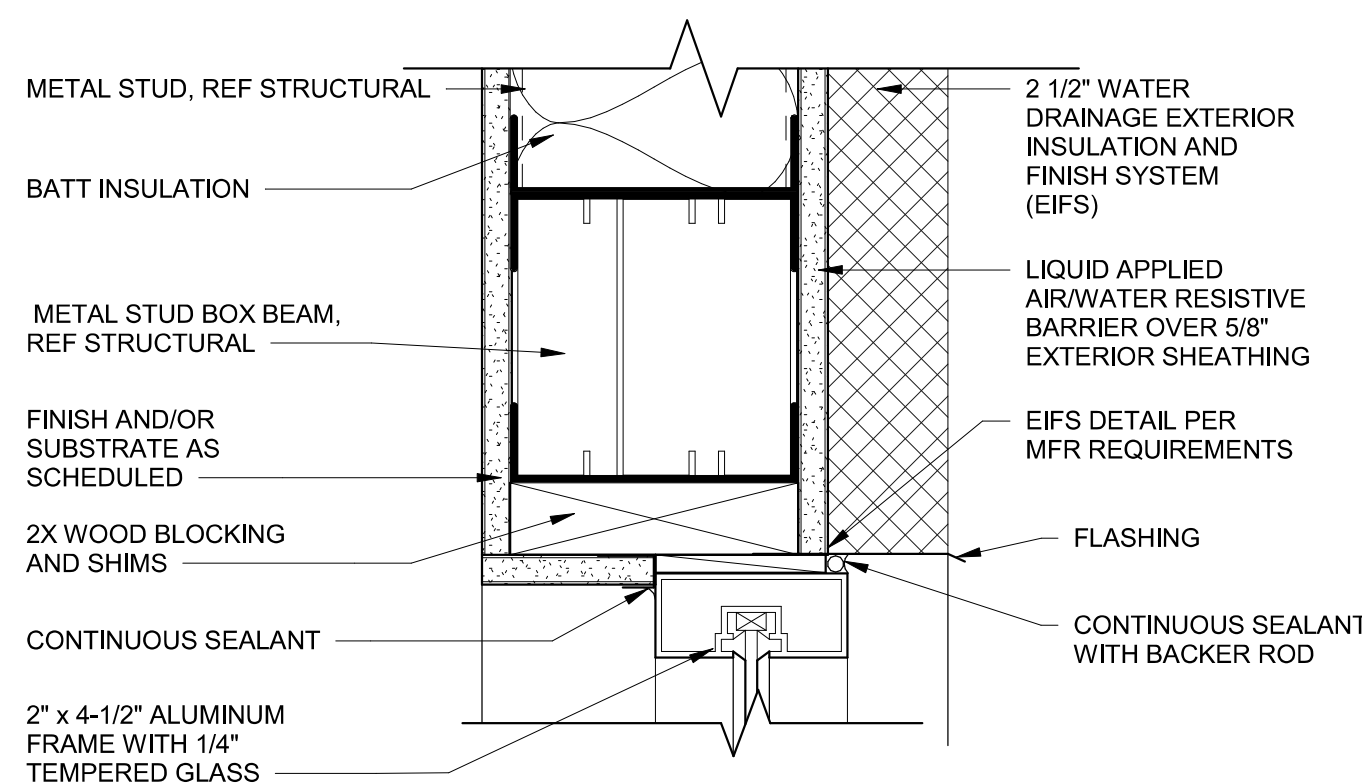
5 STOREFRONT SILL - BRICK

3\"/>



3 STOREFRONT HEAD DETAIL

3\"/>



2 WINDOW HEAD/JAMB/SILL

3\"/>

