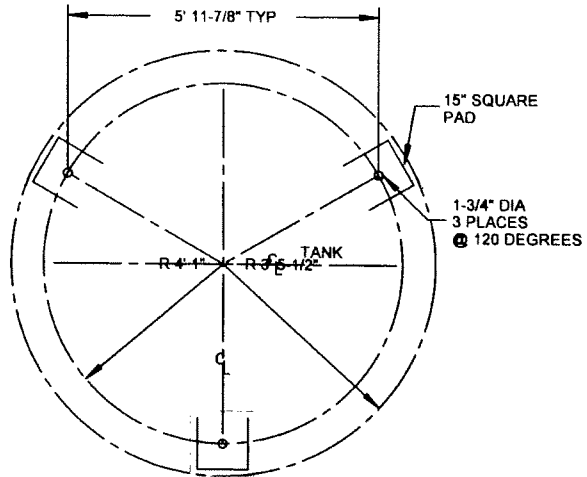
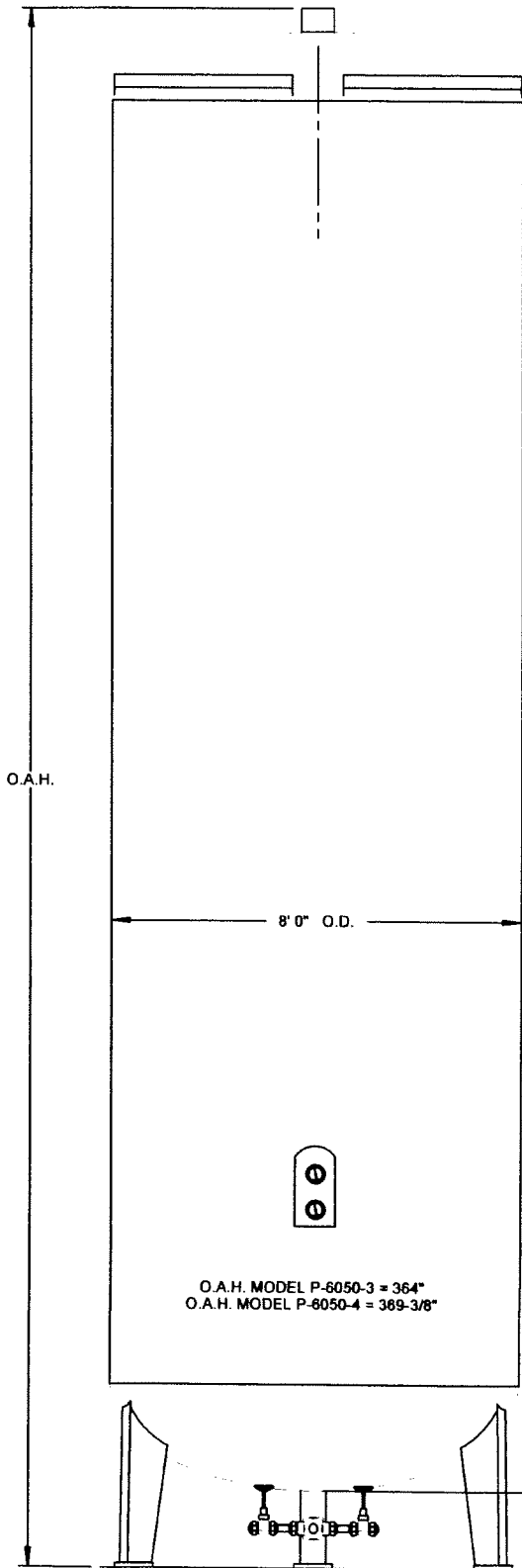


ARGON TANK



ANCHOR BOLT PLAN

NOTES:

CAPACITY:
 5,902 GALLONS (NOMINAL-LIQUID)
 6,050 GALLONS (GROSS-LIQUID)
GASEOUS EQUIVALENT:
 OXYGEN - 679,000 S.C.F.
 NITROGEN - 549,500 S.C.F.
 ARGON - 663,700 S.C.F.

WEIGHT:
 EMPTY - 28,800 LBS
 FULL - OXYGEN - 85,050 LBS
 NITROGEN - 68,650 LBS
 ARGON - 97,450 LBS

MATERIAL:
 INNER TANK - ALUMINUM
 OUTER TANK - CARBON STEEL

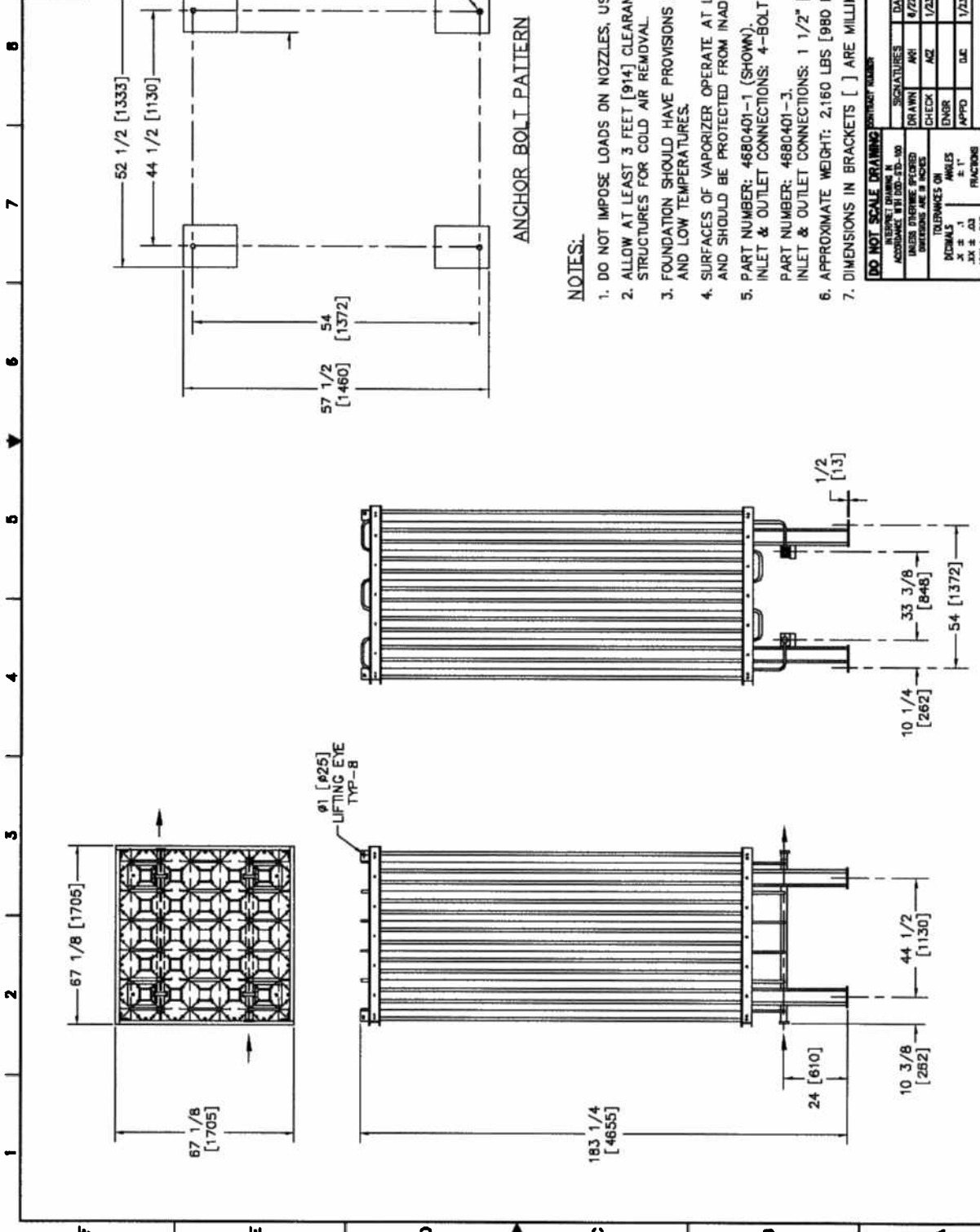
WORKING PRESSURE: 250 PSIG MAXIMUM

O.A.H. MODEL P-6050-3 = 364"
 O.A.H. MODEL P-6050-4 = 369-3/8"

FRONT ELEVATION

REV	1	REDRAWN IN CADD	DATE	2/19/99	BY	V.V.	OPERATIONS	SAFETY	DESIGN	ENC APPD	T.G.W.
DATE	2/19/99	TITLE	CRYOGENIC LIQUID CUSTOMER STATION MODEL: P-6050-3 & P-6050-4								
DRAWN	VIDAL VAZQUEZ	OPERATIONS	AIR PRODUCTS ALLENTOWN, PENNSYLVANIA								
ENGINEER	T. G. WITTE	FILE	P-2-381	OWG NO	IGD SK 2637			REV	A 1		
SCALE	NONE										
1 OF 1											

REV	DESCRIPTION	DATE	APPROVED
A	REVISED LIFTING EYES	11/27/93	LFM
B	ADDED S.L. EQUIVALENTS	11/25/93	AKH
C	UPGRADED DWG. REV. ANCHOR BOLT HOLES	11/25/01	AKC
D	UPGRADED DWG. REV. ANCHOR BOLT HOLES	11/25/03	AKC



ANCHOR BOLT PATTERN

NOTES:

- DO NOT IMPOSE LOADS ON NOZZLES, USE STANDS FOR SUPPORT.
- ALLOW AT LEAST 3 FEET [914] CLEARANCE TO ADJACENT STRUCTURES FOR COLD AIR REMOVAL.
- FOUNDATION SHOULD HAVE PROVISIONS FOR DRAINAGE AND LOW TEMPERATURES.
- SURFACES OF VAPORIZER OPERATE AT LOW TEMPERATURES AND SHOULD BE PROTECTED FROM INADVERTENT TOUCHING.
- PART NUMBER: 4680401-1 (SHOWN).
- INLET & OUTLET CONNECTIONS: 4--BOLT FLANGES.
- PART NUMBER: 4680401-3.
- INLET & OUTLET CONNECTIONS: 1 1/2" [DN40]-300# R.F.W.N. ANSI FLANGES.
- APPROXIMATE WEIGHT: 2,160 LBS [980 KG].
- DIMENSIONS IN BRACKETS [] ARE MILLIMETERS UNLESS OTHERWISE NOTED.

DO NOT SCALE DRAWING

INSPECT DRAWING IN ACCORDANCE WITH ISO-9000

SIGNATURES	DATE
DRAWN	8/22/93
CHECKED	1/23/02
INVR	
APPR	1/23/02

TOLERANCES ON DIMENSIONS:
X ± .1
Y ± .1
Z ± .010

FILE NAME: 4680400.DWG
SHEET: 1 OF 1

OUTLINE VAI-836-FL12 AMBIENT VAPORIZER

7X733
4680400

MURRETTA, GA 30262 USA

THIS DRAWING IS THE PROPERTY OF MURRETTA, GA. IT IS TO BE USED ONLY FOR THE PROJECT AND FOR THE QUANTITY SPECIFIED THEREON. IT IS NOT TO BE REPRODUCED, COPIED, OR TRANSMITTED IN ANY FORM OR BY ANY MEANS, ELECTRONIC OR MECHANICAL, INCLUDING PHOTOCOPYING, RECORDING, OR BY ANY INFORMATION STORAGE AND RETRIEVAL SYSTEM. WITHOUT THE WRITTEN PERMISSION OF MURRETTA, GA. ANY UNAUTHORIZED USE OF THIS DRAWING IS PROHIBITED. THE USER SHALL BE RESPONSIBLE FOR OBTAINING ALL NECESSARY PERMITS AND APPROVALS FROM ALL APPLICABLE AGENCIES AND AUTHORITIES. THE USER SHALL BE RESPONSIBLE FOR OBTAINING ALL NECESSARY PERMITS AND APPROVALS FROM ALL APPLICABLE AGENCIES AND AUTHORITIES. THE USER SHALL BE RESPONSIBLE FOR OBTAINING ALL NECESSARY PERMITS AND APPROVALS FROM ALL APPLICABLE AGENCIES AND AUTHORITIES.

VAPORIZER NEAR CO2 TANK

DWG NO. **4839400** SHEET **1** REV **B**

CAD ORIGINATED DRAWING. REVISION UPDATES RESTRICTED TO CAD SYSTEM ONLY. NO MANUAL UPDATES.

NO.	DESCRIPTION	DATE	APPROVED
A	ADDED FRAMES AND LIFTING ANGLE	11/27/98	AZ
B	UPDATED REV. ANCHOR BOLT PATTERN	9/29/03	ME

NO.	DESCRIPTION	DATE	APPROVED
A	ADDED FRAMES AND LIFTING ANGLE	11/27/98	AZ
B	UPDATED REV. ANCHOR BOLT PATTERN	9/29/03	ME

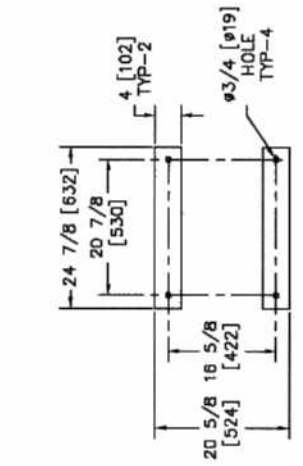
NO.	DESCRIPTION	DATE	APPROVED
A	ADDED FRAMES AND LIFTING ANGLE	11/27/98	AZ
B	UPDATED REV. ANCHOR BOLT PATTERN	9/29/03	ME

NO.	DESCRIPTION	DATE	APPROVED
A	ADDED FRAMES AND LIFTING ANGLE	11/27/98	AZ
B	UPDATED REV. ANCHOR BOLT PATTERN	9/29/03	ME

NO.	DESCRIPTION	DATE	APPROVED
A	ADDED FRAMES AND LIFTING ANGLE	11/27/98	AZ
B	UPDATED REV. ANCHOR BOLT PATTERN	9/29/03	ME

NO.	DESCRIPTION	DATE	APPROVED
A	ADDED FRAMES AND LIFTING ANGLE	11/27/98	AZ
B	UPDATED REV. ANCHOR BOLT PATTERN	9/29/03	ME

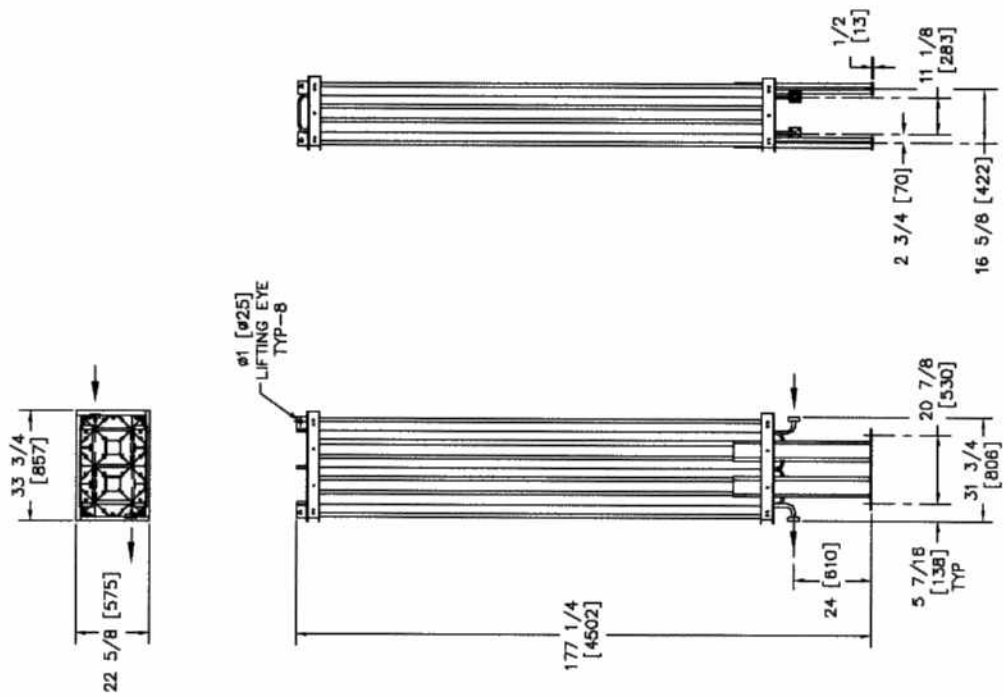
NO.	DESCRIPTION	DATE	APPROVED
A	ADDED FRAMES AND LIFTING ANGLE	11/27/98	AZ
B	UPDATED REV. ANCHOR BOLT PATTERN	9/29/03	ME



ANCHOR BOLT PATTERN

NOTES:

- DO NOT IMPOSE LOADS ON NOZZLES, USE STANDS FOR SUPPORT.
- ALLOW AT LEAST 3 FEET [914] CLEARANCE TO ADJACENT STRUCTURES FOR COLD AIR REMOVAL.
- FOUNDATION SHOULD HAVE PROVISIONS FOR DRAINAGE AND LOW TEMPERATURES.
- SURFACES OF VAPORIZER OPERATE AT LOW TEMPERATURES AND SHOULD BE PROTECTED FROM INADVERTENT TOUCHING.
- INLET & OUTLET CONNECTIONS: 4-BOLT FLANGES (MUELLER).
- APPROXIMATE WEIGHT: 450 LBS [204 KG].
- DIMENSIONS IN BRACKETS [] ARE MILLIMETERS UNLESS OTHERWISE NOTED.



DO NOT SCALE DRAWING		CONTRACT NUMBER	
INTERPRET DRAWING IN ACCORDANCE WITH ISO-STD-100 UNLESS OTHERWISE SPECIFIED. DIMENSIONS ARE IN INCHES.	SIGNATURES	DATE	USA
TOLERANCES ON DIMENSIONS	DRAWN	5/1/97	MURRIN, CA 92562
DECIMALS ± .01	CHECK	11/19/98	OUTLINE
FRACTIONS ± 1/32	ENDOR		VAI-806-FL12
ANGLES ± 1'	APPRO		AMBIENT VAPORIZER
± .010			NO. 4839400
			REV. B
			NO. 7X733
			SCALE 1/2" = 1'
			NO. 4839400.DWG
			SHEET 1 OF 1

THIS DRAWING IS A PROPERTY OF THE COMPANY AND IS LOANED TO YOU FOR YOUR USE ONLY. IT IS NOT TO BE REPRODUCED, COPIED, OR TRANSMITTED IN ANY FORM OR BY ANY MEANS, ELECTRONIC OR MECHANICAL, INCLUDING PHOTOCOPYING, RECORDING, OR BY ANY INFORMATION STORAGE AND RETRIEVAL SYSTEM. THE COMPANY ASSUMES NO LIABILITY FOR ANY DAMAGE OR LOSS OF PROFITS, BUSINESS, OR REPUTATION, OR FOR ANY SPECIAL, INCIDENTAL, OR CONSEQUENTIAL DAMAGES, WHETHER IN CONTRACT OR TORT, ARISING FROM THE USE OF THIS DRAWING. THE COMPANY'S LIABILITY IS LIMITED TO THE EXTENT OF THE CONTRACT PRICE. THE COMPANY'S LIABILITY IS LIMITED TO THE EXTENT OF THE CONTRACT PRICE. THE COMPANY'S LIABILITY IS LIMITED TO THE EXTENT OF THE CONTRACT PRICE.

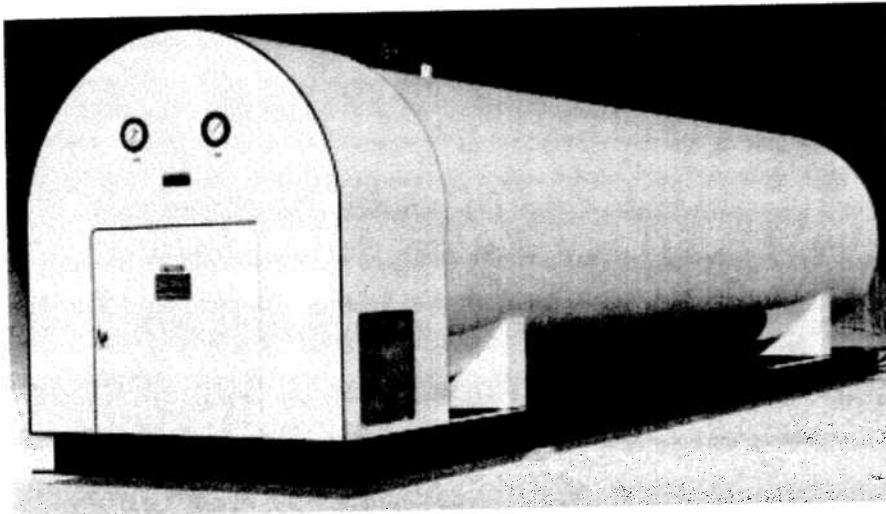
C Series CO2 Storage Units

Urethane Insulated Horizontal

Tomco₂ offers this efficient CO₂ storage unit designed with wide flanged rectangular skirts for use in areas where placement is a concern. It provides balanced weight distribution and low maintenance costs. The C Series offers totally enclosed valves, electrical, and refrigeration, and may be locked conveniently for safety and security.

Sizes range from 7,500 to 120,000 pounds (3,402 kg to 54,432 kg).

An aluminum outer jacket conceals a 4" (10.16 cm) polyurethane insulation which allows for long life and maximum protection. Auxiliary outlets are available for additional liquid and vapor supply needs.



metal frame on bottom goes around the perimeter of the tank

GENERAL SPECIFICATIONS

Pressure Vessel: ASME Coded for maximum working pressure of 350 psig (23.8 bars).

Piping: Schedule 80 seamless pipe, 2,000 lb. (907.2 kg) forged steel fittings, ball type valves.

Safeties: ASME approved direct spring loaded or pilot operated, sized for unconfined outdoor installation.

Insulation: 4" (10.16 cm) Polyurethane

Outer Jacket: .063" (0.16 cm) Aluminum

Vaporizers Optional: Steam or electric, capacities to 6,000 lbs./hr. (2,722 kg/hr.)

Liquid Level Gauge: Differential Pressure indicator type with 6" (15.24 cm) dial.

Pressure Gauge: 0 to 600 psig with 6" (15.24 cm) dial.

Electrical Characteristics: 208/220/230/460V, 60 Hz., 3 Phase.

Other voltages available upon request

Control Cabinet: .040" (0.10 cm) prefinished aluminum with lockable access door.

Manway installed for internal inspection and ease in cleaning. Stainless steel nozzles and valves.

MODEL	NOMINAL CAPACITY	HEIGHT*	LENGTH*	WIDTH*	APPROX EMPTY WT.
3.7575CA	7,500 lbs.	7' 11"	11' 0"	6' 2"	8,000 lbs.
	3,402 kg	2.41 m	3.35 m	1.88 m	3,629 kg
675CA	12,000 lbs.	8' 3"	15' 0"	6' 2"	10,000 lbs.
	5,443 kg	2.51 m	4.57 m	1.88 m	4,536 kg
1475CA	28,000 lbs.	8' 10"	18' 9"	7' 8"	15,500 lbs.
	12,700 kg	2.69 m	5.72 m	2.34 m	7,031 kg
2675CA	52,000 lbs.	9' 0"	31' 0"	7' 8"	25,000 lbs.
	23,587 kg	2.74 m	9.45 m	2.34 m	11,340 kg
3075CA	60,000 lbs.	9' 0"	35' 0"	7' 6"	30,000 lbs.
	27,216 kg	2.74 m	10.67 m	2.29 m	13,608 kg
5075CA	100,000 lbs.	9' 0"	56' 6"	7' 6"	45,000 lbs.
	45,360 kg	2.74 m	17.22 m	2.29 m	20,412 kg
6075CA	120,000 lbs.	9' 0"	66' 6"	7' 6"	60,000 lbs.
	54,432 kg	2.74 m	20.27 m	2.29 m	27,216 kg

*Shipping Dimensions

NOTE: Safety relief valve removed for shipment due to height requirements on 14-ton (12,700 kg) and larger units.

All CO₂ storage units are manufactured using normalized SA-612 carbon steel plate. Designed for Seismic IV installation.

BLENDERS

Approx wt. 50 lbs.

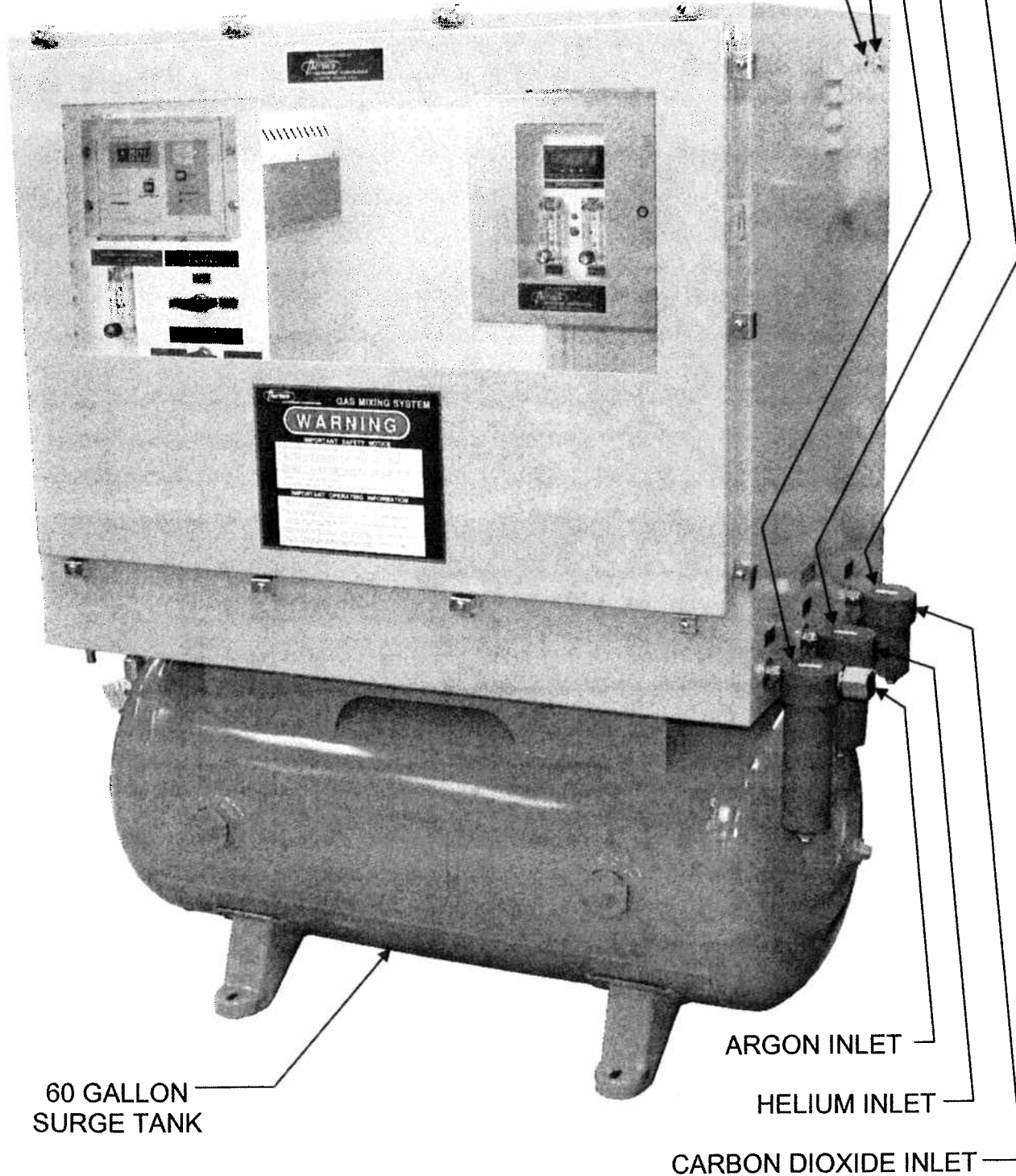
CARBON DIOXIDE INLET FILTER

HELIUM INLET FILTER

ARGON INLET FILTER

7/8" DIAMETER HOLE FOR 115 VAC ELECTRICAL ENTRANCE

7/8" DIAMETER HOLE FOR CUSTOMER'S ALARM AND SIGNAL WIRING



60 GALLON SURGE TANK

ARGON INLET

HELIUM INLET

CARBON DIOXIDE INLET

THERMCO MODEL ~~40055~~ GAS MIXER
INLET END INSTRUCTION PHOTOGRAPH