



DAMMON

ENGINEERING, INC.

554 Old Spanish Trail
Slidell, LA 70458
Phone: 985-649-5832
Fax: 985-641-5950
dammonengineering.com
info@dammonengineering.com

August 18, 2023

Mr. Dallas Guidry
4501 Providence Pl
Apt 1B
New Orleans, La. 70126

Re:
1753 Marsha Dr
Slidell, LA. 70458

Dear Mr. Guidry,

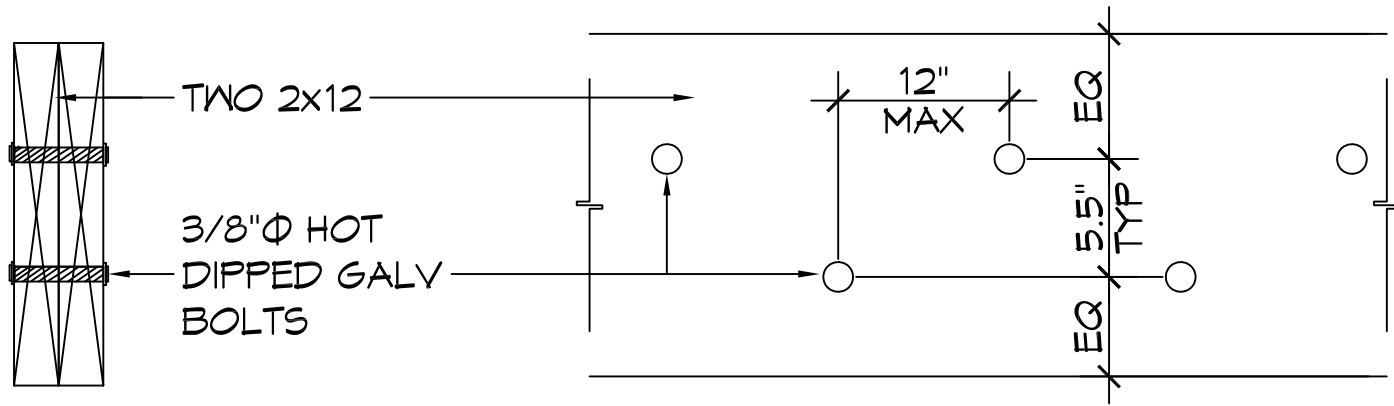
You requested that we inspect the referenced residence for the removal of a load bearing wall.

A double 2x12 or Parallam 2.0E 3.5x9.5 beam that is not longer than 12 ft in length and constructed to meet the requirements of the 2021 IRC will be structurally sufficient to meet the loads applied to the load bearing wall. See attached plan.

This report does not cover any other aspects of the building such as plumbing, electrical, gas, mechanical egress, general arrangement, site drainage, etc., and assumes that ground conditions are substantially the same as is under the residence.

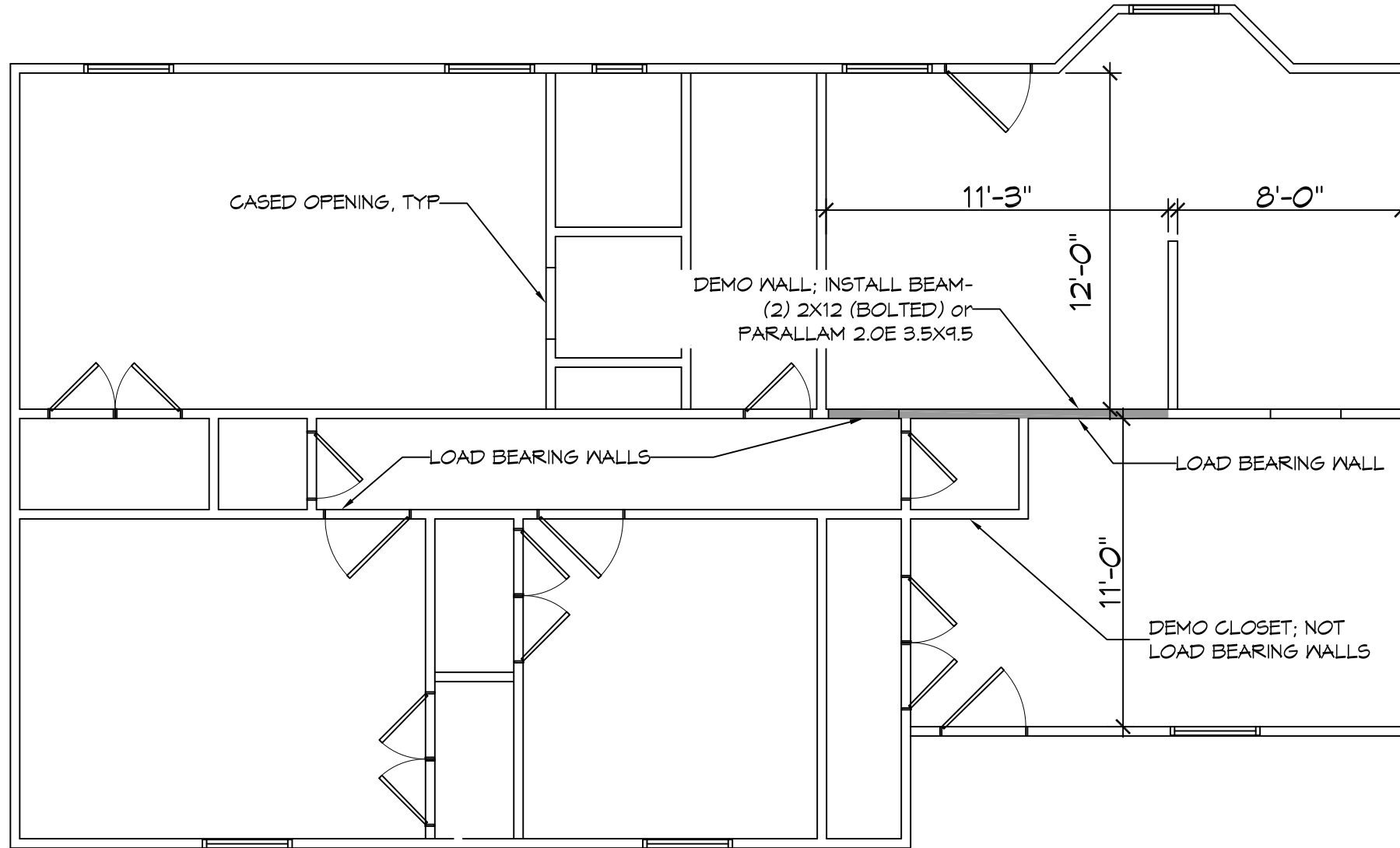
Sincerely,

Brian A Mistich, P.E.
La. License No. 0030187



SECTION

ELEVATION



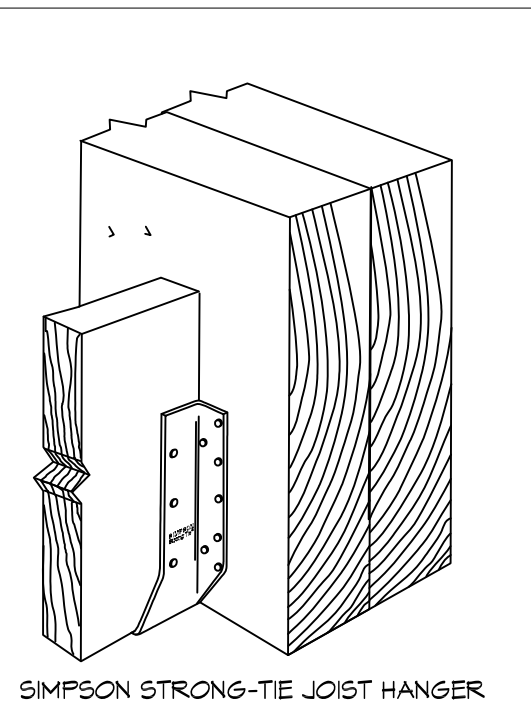
1 PLAN
SCALE: N.T.S.

GENERAL NOTES

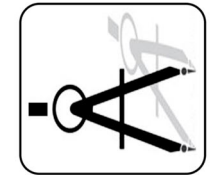
1. CONTRACTOR IS RESPONSIBLE TO OBTAIN PERMITS FROM LOCAL JURISDICTION.
2. DRAWINGS ARE DIAGRAMMATIC AND INDICATE GENERAL ARRANGEMENT ONLY.
3. CONSTRUCTION SHALL COMPLY WITH ALL PARISH, STATE, AND LOCAL CODES.

DIMENSIONAL LUMBER FRAMING NOTES

1. ALL LOAD BEARING INTERIOR AND EXTERIOR PARTITIONS SHALL BE NO. 2 GRADE SOUTHERN PINE.
2. BEAM SHALL HAVE 2EA JACK STUDS AND 1EA KING STUD EACH END OF THE BEAM.
3. KILN-DRY LUMBER AFTER TREATMENT SHALL HAVE A MAXIMUM MOISTURE CONTENT OF 19%. DO NOT USE MATERIAL THAT IS WARPED OR DOES NOT COMPLY WITH REQUIREMENTS FOR UNTREATED MATERIAL. KILN-DRY PLYWOOD AFTER TREATMENT SHALL HAVE A MAXIMUM MOISTURE CONTENT OF 15%.
4. FASTENERS:
 - A. POWER-DRIVEN FASTENERS SHALL COMPLY WITH NES ESR-1539
 - B. STEEL BOLTS SHALL COMPLY WITH ASTM A 307, GRADE A; HEX NUTS SHALL COMPLY WITH ASTM A 563.



DAMMON
ENGINEERING, INC.



554 Old Spanish Trail Slidell, LA 70458 (985) 649-5832

dammonengineering.com
info@dammonengineering.com
PHONE: 985-649-5832

CHIEF ENGINEER: BRIAN A. MISTICH, P.E.
554 OLD SPANISH TRAIL
SLIDELL, LA 70458

RESIDENTIAL REMOLDING

DALLAS GUIDRY

1753 MARSUA DR.
SLIDELL, LA 70458

JOB No: _____ DATE: _____

DRAWN BY: _____

S-1