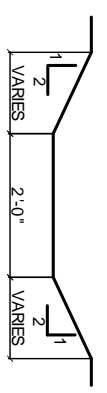


ALL GUTTERS AND DOWNSPOUTS THE INTO SUB SURFACE DRAINAGE

NEW 500 GPD CHLORINATED TREATMENT PLANT WITH 6' HIGH WOODEN FENCE

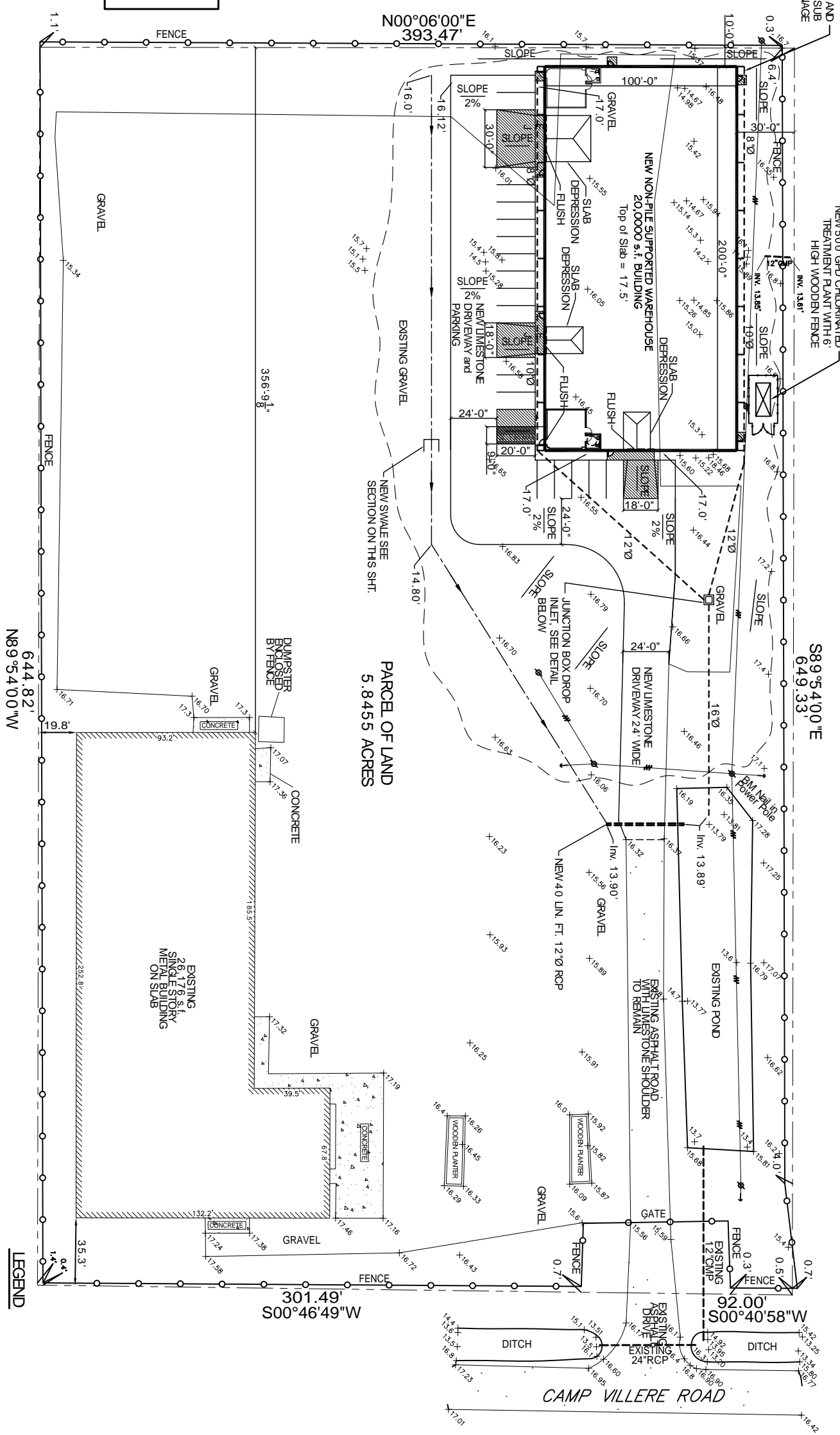
S89°54'00"E
649.33'



SWALE DETAIL
N.T.S.

GUTTERS AND DOWN SPOUTS TO BE SEAMLESS ALUMINUM 24 GAUGE. COLOR TO BE SELECTED BY OWNER. GUTTERS TO BE OEGE IN CROSS SECTION, MINIMUM 6" WIDTH.

- NOTES:
- 1) DRAIN PIPE & FITTINGS WITHIN PROPERTY LINE SHALL BE POLYVINYL CHLORIDE PLASTIC PIPE, MEETING CLASS 100 C-900 P.V.C.
 - 2) ELEVATIONS SHOWN ARE M.S.L.
 - 3) FIELD VERIFY ALL ELEVATIONS AND DRAINAGE SYSTEM PLACEMENT PRIOR TO START OF WORK.
 - 3) MUCK OUT 2'-4" DEEP FOR FOUNDATION PAD, MINIMUM, OR TO UNDISTURBED SOIL, CAPABLE OF 1500 PSF BEARING.
 - 4) DOWN SPOUTS SHALL FLOW INTO SUB-SURFACE DRAINAGE.

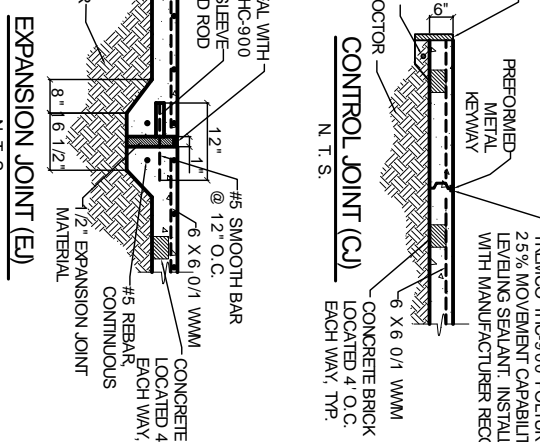


PARCEL OF LAND
5.8455 ACRES

DRAINAGE / PAVING PLAN
SCALE: 1" = 30'-0"

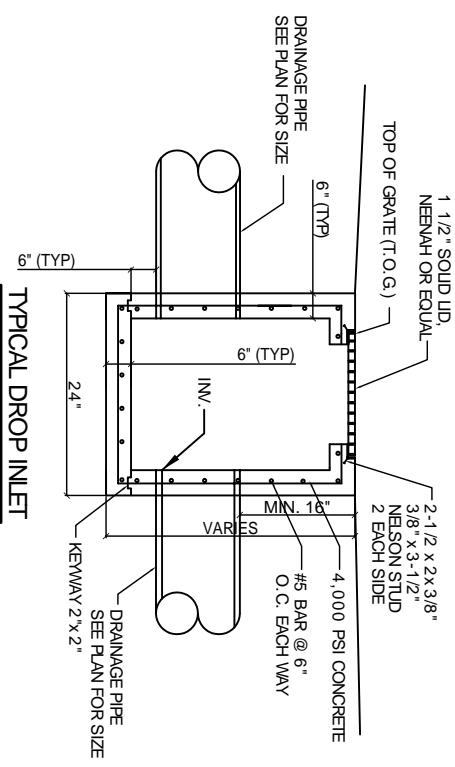


- LEGEND
- SILT FENCING
 - PROPERTY LINE
 - BUILDING SETBACK
 - FENCE
 - NEW BUILDING OUTLINE
 - HANDICAP PARKING
 - HANDICAP PARKING SIGN
 - NEW DROP INLET W/TMP.
 - SILT FENCING
 - NEW CONCRETE AREAS

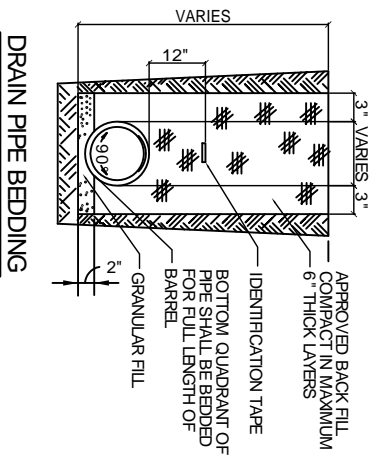


CONTROL JOINT (CJ)
N.T.S.

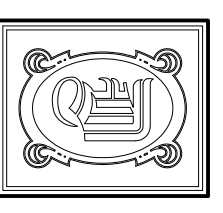
PROVIDE REMOVABLE ZIP STRIPS, SEAL WITH TREMCO THC-900 POLYURETHANE, 10 YR. LIFE. 25% MOVEMENT CAPABILITY. GRAY SELF-LEVELING SEALANT, INSTALL IN ACCORDANCE WITH MANUFACTURER'S RECOMMENDATIONS.



TYPICAL DROP INLET
N.T.S.



DRAIN PIPE BEDDING
N.T.S.



DAMMON
ENGINEERING, INC.

CHIEF ENGINEER
EMMETT
DAMMON, P.E.

CHIEF ARCHITECT
ROBERT
WILTSE

1095 FLORIDA AVENUE
SUDELL, LA. 70458
OFFICE: 985-649-5932
FAX: 985-641-5950

WWW.DAMMONENGINEERING.COM
EMAIL: DAMMONENG@BELL.SOUTHLA.NET

ARCHITECTURE
ENGINEERING
STUDIES
PLANNING
INVESTIGATION
EXPERT WITNESS

NEW
WAREHOUSE

BOB BAKER
CAMP VILLERE
SUDELL, LA

DRAINAGE
AND
PAVING
PLAN

REV:

SCALE: AS NOTED

JOB#: 1927

DATE: 3-28-08

SHEET 4

C-3

OF 19