



**DAMMON**  
ENGINEERING, INC.

CHIEF ENGINEER  
EMMETT  
DAMMON, P.E.

CHIEF ARCHITECT  
ROBERT  
WILTSE

1 095 FLORIDA AVENUE  
SLIDELL, LA. 70458  
OFFICE: 985-649-5832  
FAX: 985-641-5950

WEBSITE:  
WWW.DAMMONENGINEERING.COM

EMAIL:  
DAMMONENG@BELLSOUTH.NET

ARCHITECTURE

ENGINEERING

STUDIES

PLANNING

INVESTIGATION

EXPERT WITNESS

OFFICE  
RENOVATION /  
ADDITION

M NATAL  
CONTRACTORS, INC.  
394 VOTERS ROAD  
SLIDELL, LA

FLOOR  
PLAN

REV:

SCALE: AS NOTED

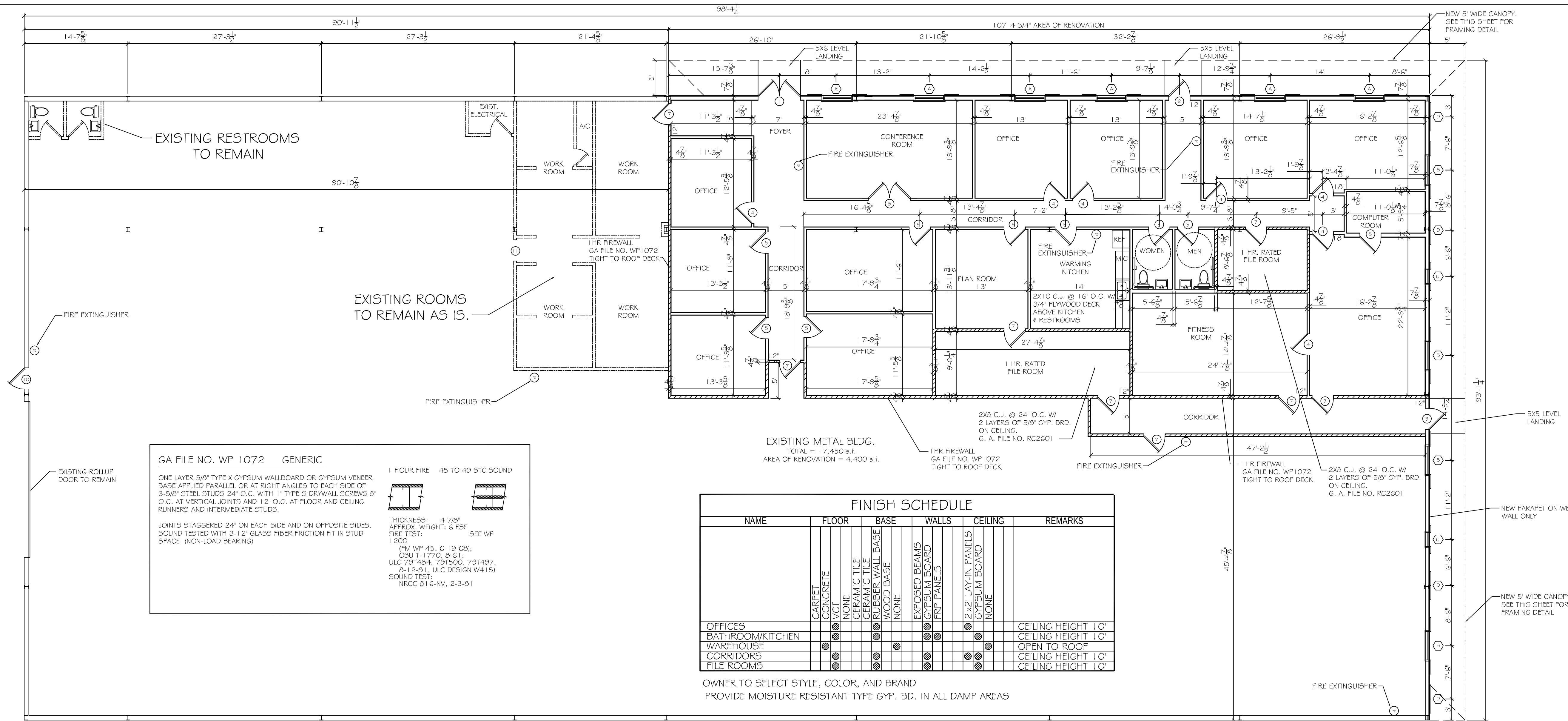
JOB#: 1956

DATE: 07-16-08

SHEET 3

A-1

OF 12



**GA FILE NO. WP 1072 GENERIC**

ONE LAYER 5/8" TYPE X GYPSUM WALLBOARD OR GYPSUM VENEER. BASE APPLIED PARALLEL OR AT RIGHT ANGLES TO EACH SIDE OF 3-5/8" STEEL STUDS 24" O.C. WITH 1" TYPE S DRYWALL SCREWS 8" O.C. AT VERTICAL JOINTS AND 12" O.C. AT FLOOR AND CEILING RUNNERS AND INTERMEDIATE STUDS.

JOINTS STAGGERED 24" ON EACH SIDE AND ON OPPOSITE SIDES. SOUND TESTED WITH 3-1/2" GLASS FIBER FRICTION FIT IN STUD SPACE. (NON-LOAD BEARING)

THICKNESS: 4-7/8"  
APPROX. WEIGHT: 6 P5F  
FIRE TEST: 1200  
SEE WP 1200  
(FM WP-45, 6-19-65);  
OSU T-1770, 8-61;  
ULC 79T484, 79T500, 79T497,  
8-12-81, ULC DESIGN W415)  
SOUND TEST:  
NRCC 816-NV, 2-3-81

1 HOUR FIRE 45 TO 49 STC SOUND

**FINISH SCHEDULE**

NAME	FLOOR	BASE	WALLS	CEILING	REMARKS
OFFICES					CEILING HEIGHT 10'
BATHROOM/KITCHEN					CEILING HEIGHT 10'
WAREHOUSE					OPEN TO ROOF
CORRIDORS					CEILING HEIGHT 10'
FILE ROOMS					CEILING HEIGHT 10'

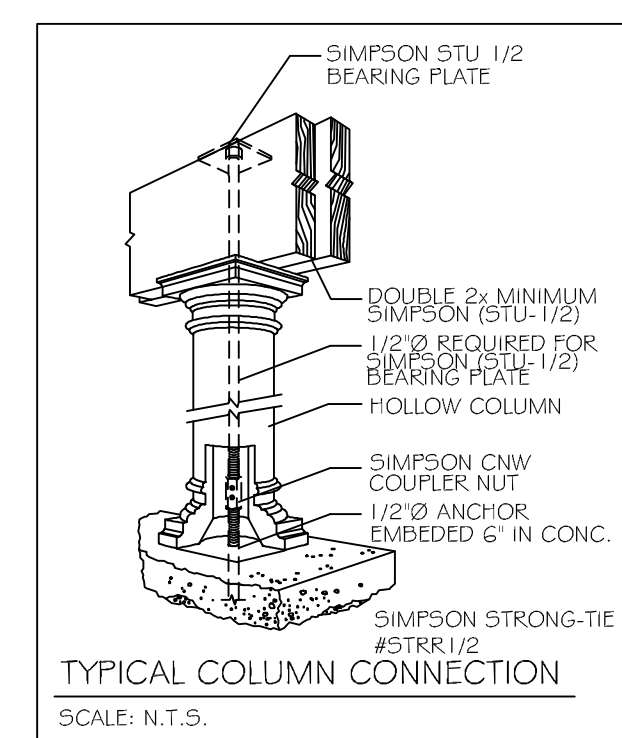
OWNER TO SELECT STYLE, COLOR, AND BRAND  
PROVIDE MOISTURE RESISTANT TYPE GYP. BD. IN ALL DAMP AREAS

**THERMAL COMPONENT CRITERIA (U-FACTOR AND R-VALUE)**

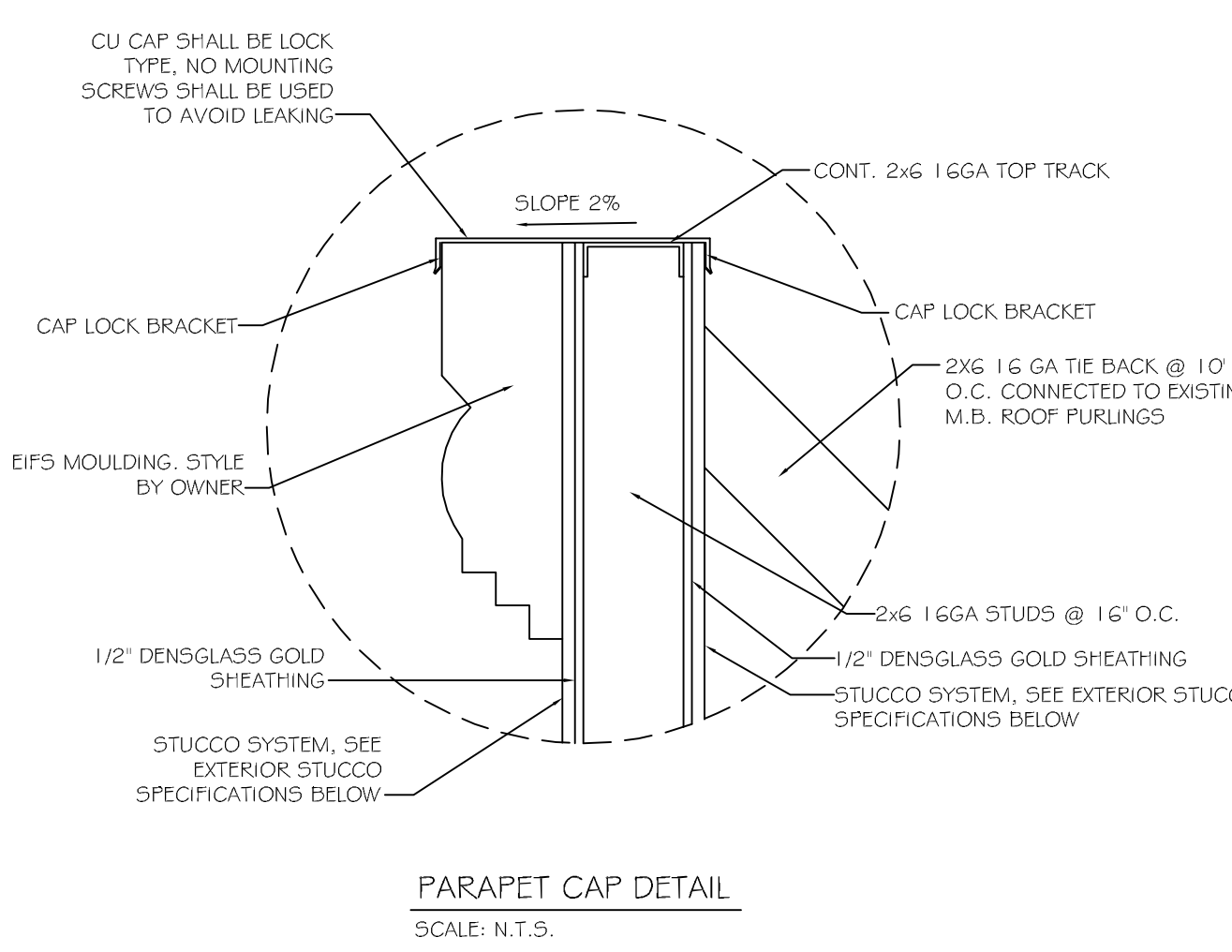
MAX. GLAZING U-FACTOR	CEILING	WALLS	FLOORS	BASEMENT WALLS	CRAWL SPACE WALLS
.75	R-26	R-13	R-11	R-5	R-5

**WINDBORNE DEBRIS PROTECTION FASTENING SCHEDULE FOR WOOD STRUCTURAL PANELS**

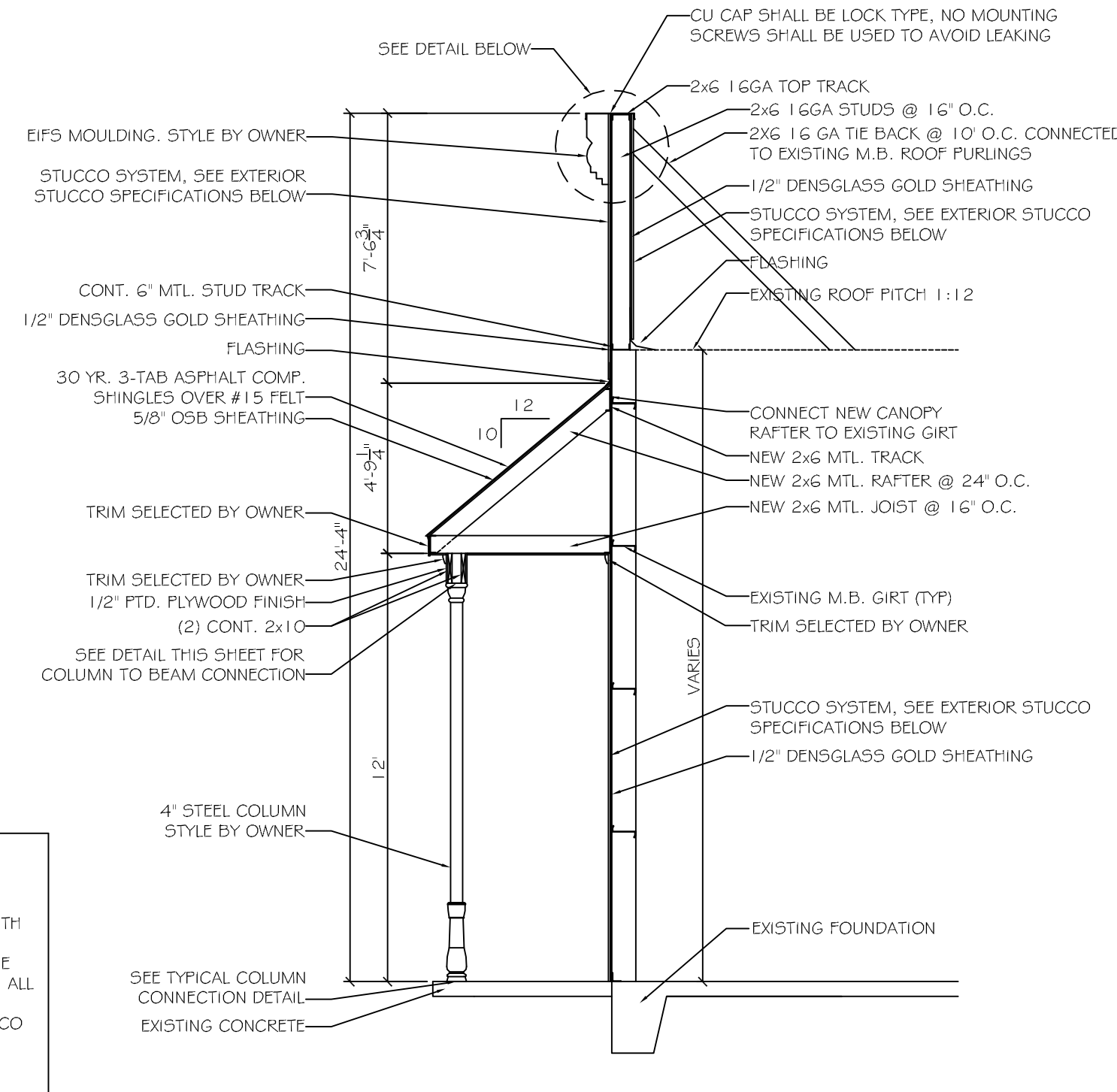
FASTENER TYPE	PANEL SPAN ≤ 4 FOOT	4 FOOT PANEL SPAN ≤ 6 FOOT	6 FOOT PANEL SPAN ≤ 8 FOOT
2-1/2" #6 WOOD SCREWS	16"	12"	9"
2-1/2" #8 WOOD SCREWS	16"	16"	12"



- GENERAL NOTES**
- INSULATION AND INSULATION ASSEMBLIES SHALL MEET THE REQUIREMENTS OF SECTION 719.
  - A. CONCEALED INSULATION SHALL HAVE A FLAME SPREAD OF 0-25 AND SMOKE DEVELOPED INDEX OF 0-450, EXCEPT THAT IN COMBUSTIBLE (WOOD FRAME) CONSTRUCTION.
  - B. FACING SHALL COMPLY WITH IBC 2006.
  - PROVIDE 5x5 LANDINGS, LEVEL WITH FINISHED FLOOR, OUTSIDE EXTERIOR DOORS. THRESHOLDS SHALL BE NOT MORE THAN 1/2" IN HEIGHT AND SHALL BE BEVELED IF MORE THAN 1/4".
  - DIMENSIONS ARE TO CENTERLINE, FACE OF STUDS, CENTER OF COLUMNS, OR FACE OF VENEER.
  - CONTRACTOR TO VERIFY ALL SITE CONDITIONS, BUILDING LOCATIONS, AND DIMENSIONS PRIOR TO CONSTRUCTION.
  - MATERIALS SHALL BE NEW AND U.L. LISTED.
  - NO WORK SHALL BE CONCEALED UNTIL APPROVED BY LOCAL INSPECTORS.
  - CONSTRUCTION SHALL COMPLY WITH ALL PARISH, STATE, AND LOCAL CODES.
  - CONTRACTOR TO GUARANTEE WORK FOR ONE YEAR.
  - CONTRACTOR SHALL FURNISH WATER AND POWER FROM EXISTING SOURCES.
  - EXTERIOR CAULKING SHALL BE DOW CORNING 790 SILICONE, INSTALL IN ACCORDANCE WITH MANUFACTURER RECOMMENDATION WITH ARCHITECT'S SELECT COLOR. INTERIOR CAULKING TO BE EQUAL TO DAF PAINTABLE LATEX WITH SILICONE.
  - PAINT GRADE TO SHALL BE SHERWIN WILLIAMS OR EQUIVALENT. ALL WORK TO RECEIVE 3 COATS. COLOR SELECTION BY OWNER.
  - PROVIDE CLEANUP ON A REGULAR BASIS. NO TRASH STORED IN BUILDING.
  - ALL BATT INSULATION SHALL HAVE A CLASS 'A' (0-25) FLAME SPREAD IN COMPLIANCE WITH APPLICABLE CODE.
  - USE 6" STUDS, OR 4" STAGGERED STUDS AT ALL PLUMBING WALLS.
  - PROVIDE GALVANIZED METAL PAN WITH DRAIN AT WATER HEATER LOCATION.
  - ALL CORNERS SHALL BE PROPERLY BRACED FOR WIND LOADS. A 48" SHEATHING SHALL BE PROVIDED EVERY 20 FEET OF WALL LENGTH.
  - FLOORING SHALL BE NON-SLIP.
  - INTERIOR LOCKS ON DOORS IN MEANS OF EGRESS SHALL NOT REQUIRE THE USE OF A KEY, SPECIAL KNOWLEDGE, OR SPECIAL DEVICE TO OPEN IN THE DIRECTION OF EGRESS. ALL DOORS SHALL HAVE LEVER TYPE HANDLES.
  - INTERIOR WALLS AND CEILINGS SHALL HAVE A FLAME SPREAD OF 0-200 AND A SMOKE DEVELOPMENT RATING OF 0-450.
  - ALL WORK SHALL COMPLY WITH THE LATEST EDITION OF ALL LOCAL, STATE, AND NATIONAL CODES COVERING THE TYPE OF WORK BEING PERFORMED.
  - PROVIDE PORTABLE FIRE EXTINGUISHERS IN ACCORDANCE WITH NFPA 101. SEE APPENDIX 'E' OF NFPA 101 FOR DISTRIBUTION OF EXTINGUISHERS.
  - ALL FIRE WALLS SHALL EXTEND TIGHT TO ROOF SHEATHING, AND BE SEALED WITH AN APPROVED FIRE CAULK.
  - ALL ELECTRICAL, MECHANICAL, AND PLUMBING MATERIALS PENETRATING FIRE WALLS SHALL BE FIRE CAULKED. (PENETRATIONS THROUGH RATED CONSTRUCTION SHALL BE SEALED WITH A MATERIAL CAPABLE OF PREVENTING THE PASSAGE OF FLAMES AND HOT GASES WHEN TESTED IN ACCORDANCE WITH ASTM E141.)
  - SERVICE COUNTER SHALL HAVE A HCP ACCESSIBLE WRITING SURFACE, MAX. 36" FROM F.F. (ADAAG MANUAL 1998, PG 135)



- EXTERIOR STUCCO SPECIFICATIONS:**
- COMPLY WITH ASTM C-941 AND C-482. PROVIDE 3/4" OVERALL THICKNESS ON SELF-FURRING DIAMOND MESH GALVANIZED METAL LATH; 3-4 lb. PER SQ. YARD, ON 'TYVEK' STUCCO WRAP. ATTACH LATH AT 'DIMPLES' ONLY, WITH NON-CORROSIIVE SCREWS.
  - METAL LATH AND ALL ACCESSORIES TO BE EQUAL TO 'AMICO', TO INCLUDE CORNER BEADS, CASING BEADS, BASE SCREWS, AND CONTROL JOINTS, ALL INSTALLED WITH NON-CORROSIIVE SCREWS. ALL ACCESSORIES TO BE ZINC. ALL CORNERS TO BE MITERED.
  - STUCCO TO BE INSTALLED IN THREE COATS: SCRATCH, BROWN, AND FINISH. FINISH COAT TO BE ORIENTAL STUCCO WITH SAND FLOAT FINISH BY U.S. GYPSUM.
  - COMPLY WITH MFR. AND INDUSTRY RECOMMENDATIONS. INSTALL LATH IN ACCORDANCE WITH ASTM C-1063.
  - SUBMIT DATA / CUT SHEETS FOR ALL ITEMS IF REQUIRED.



**WINDOW SCHEDULE**

WINDOW	TYPE	FRAME	GLASS	LITES	ACCESSORIES	REMARKS
A 40x60	FALSE	ALUMINUM	W/SG	1	ARCHED TOP	SEE ELEVATIONS
B 40x60	FALSE	ALUMINUM	W/SG	1	FALSE OPENING W/ STUCCO FINISH	
C 20x60	FALSE	ALUMINUM	W/SG	1	FALSE OPENING W/ STUCCO FINISH	
D 40x60	FALSE	ALUMINUM	W/SG	1	SHUTTERS ONLY	

**DOOR & HARDWARE SCHEDULE**

DOOR	TYPE	FRAME	HINGE	LOCK	ACCESSORIES	REMARKS
1 30x60	SOLID WOOD	HOLLOW METAL	STEEL	CASED OPENING	W/ TRANSOM, STYLE BY OWNER	
2 30x60	SOLID WOOD	HOLLOW METAL	STEEL	CASED OPENING	W/ TRANSOM, STYLE BY OWNER	
3 30x60	SOLID WOOD	HOLLOW METAL	STEEL	CASED OPENING	EXISTING DOOR	
4 30x60	SOLID WOOD	HOLLOW METAL	STEEL	CASED OPENING	EXISTING DOOR	
5 30x60	SOLID WOOD	HOLLOW METAL	STEEL	CASED OPENING	EXISTING DOOR	
6 PR 30x60	PR	PR	PR	PR	4.5 MINUTE RATED	
7 30x60	PR	PR	PR	PR	4.5 MINUTE RATED	
8 30x60	PR	PR	PR	PR	4.5 MINUTE RATED	
9 N/A	N/A	N/A	N/A	N/A		
10 30x60	PR	PR	PR	PR	4.5 MINUTE RATED	
11 30x60	PR	PR	PR	PR	4.5 MINUTE RATED	

- DOOR & HARDWARE NOTES:**
- ALL GLAZING TO BE LAMINATED SAFETY GLASS.
  - DOOR HINGES TO BE STANLEY FULL MORTISE STANDARD WEIGHT, BALL BEARING HINGES, STAINLESS STEEL WITH DARK BRONZE FINISH. @ EXTERIOR & MATCHING DARK BRONZE FINISH ON STANDARD STEEL @ INTERIOR.
  - PROVIDE LEVER HANDLE ADA APPROVED LOCKSETS WITH MATCHING DARK BRONZE FINISH, TO BE SELECTED BY OWNER.
  - COORDINATE KEYING SCHEDULE WITH OWNER.
  - DOOR STOPS TO BE EQUAL TO IVES No. 436 OR 437, AS REQUIRED IN MATCHING DARK BRONZE FINISH.
  - WEATHER-STRIP & THRESHOLD FINISH TO COMPLEMENT OTHER HARDWARE.
  - DOOR & FRAME APPEARANCE TO BE DETERMINED BY OWNER.