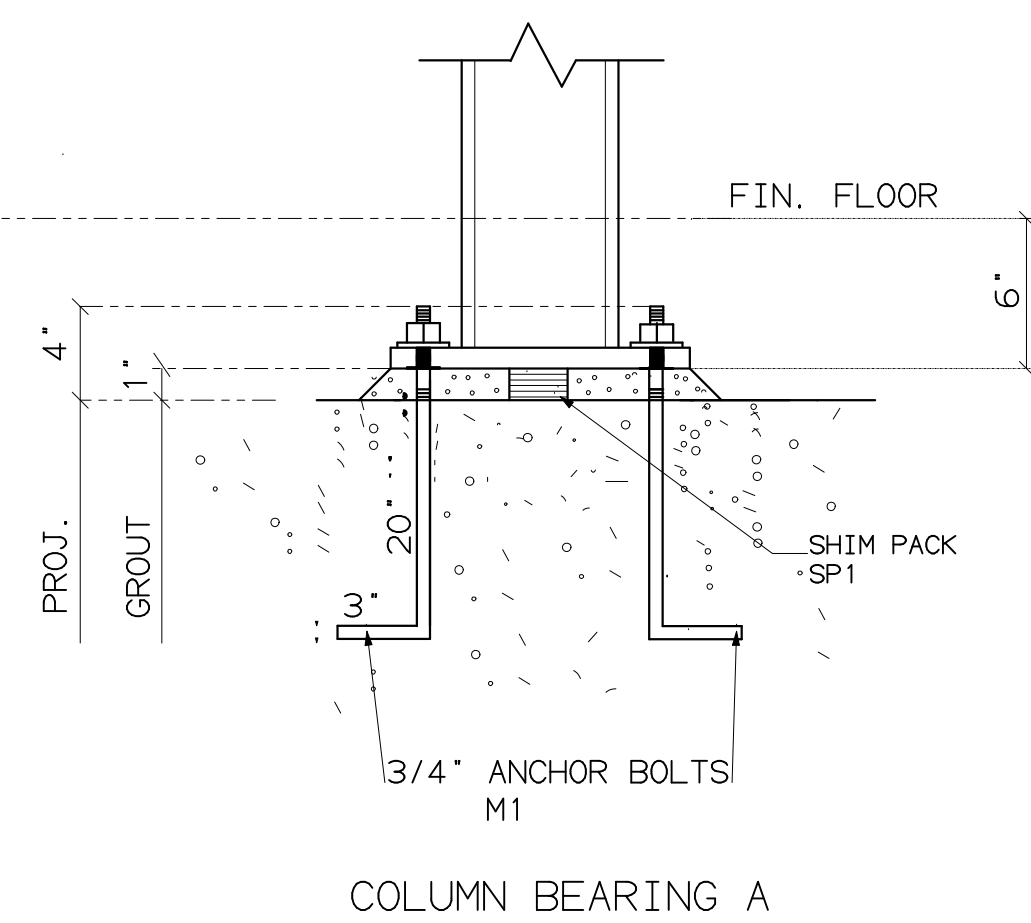
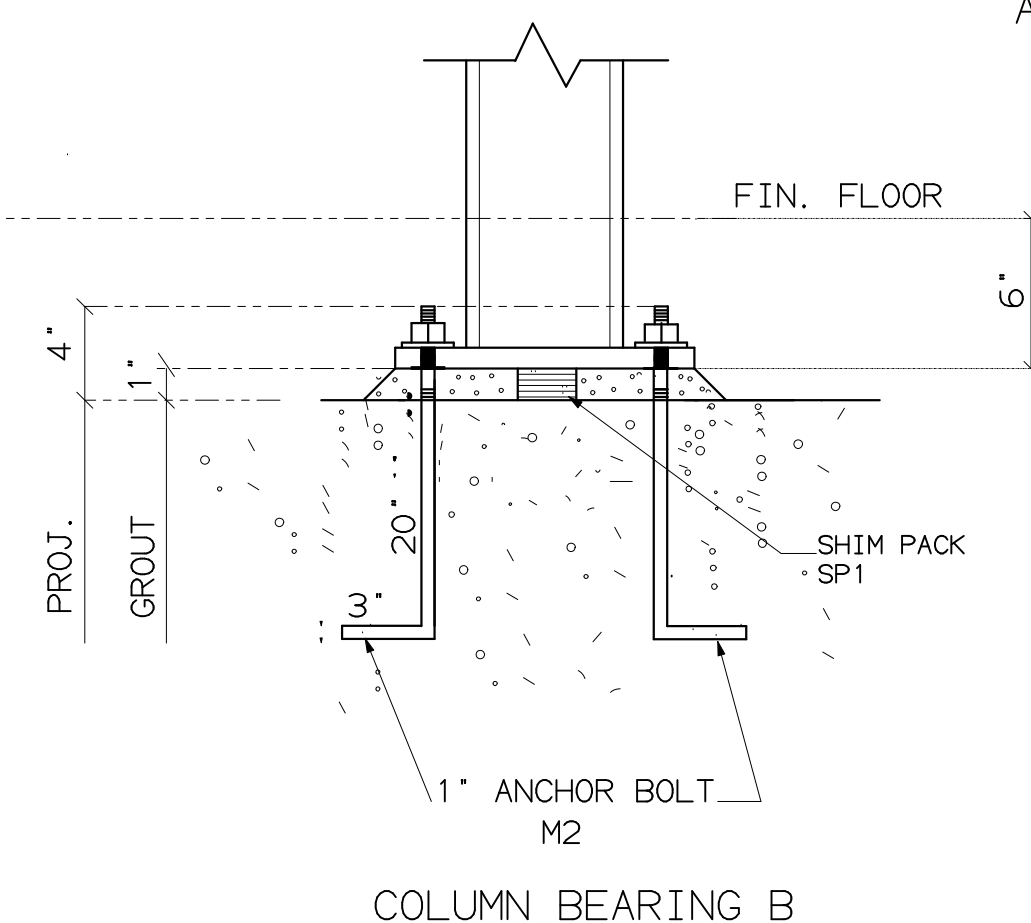


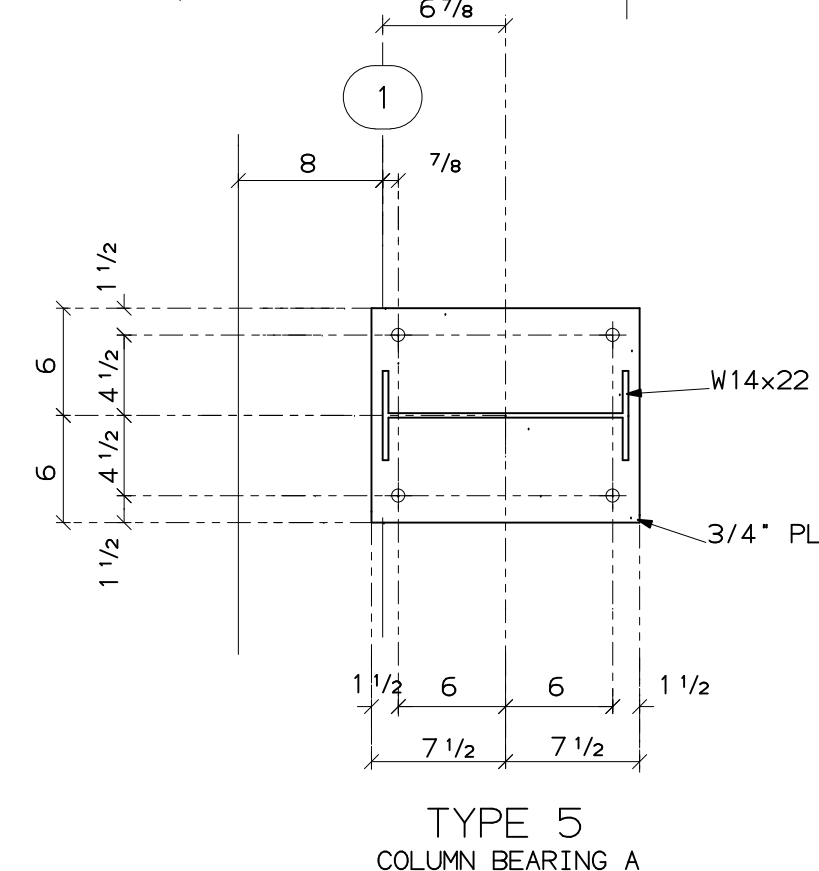
ANCHOR BOLT PLAN



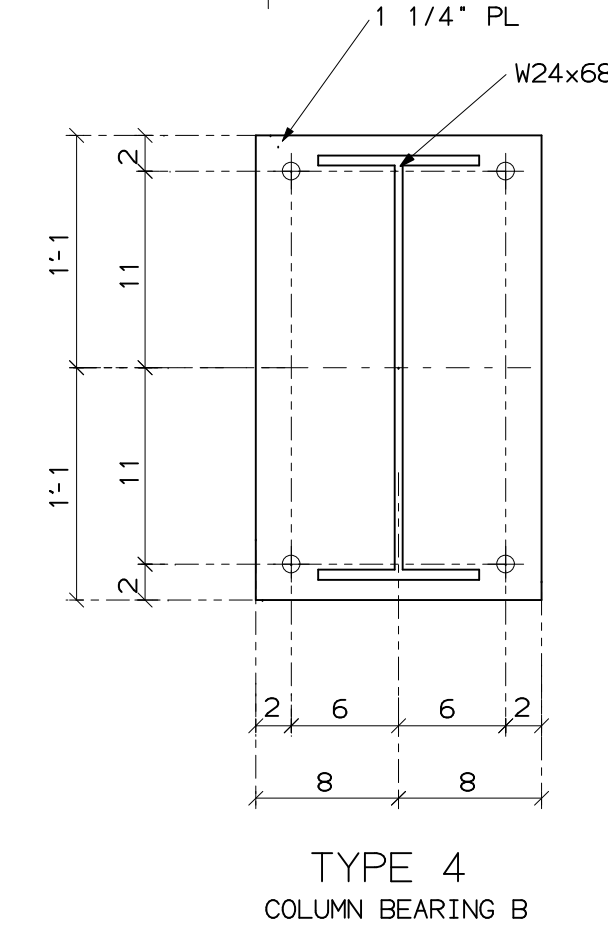
COLUMN BEARING A



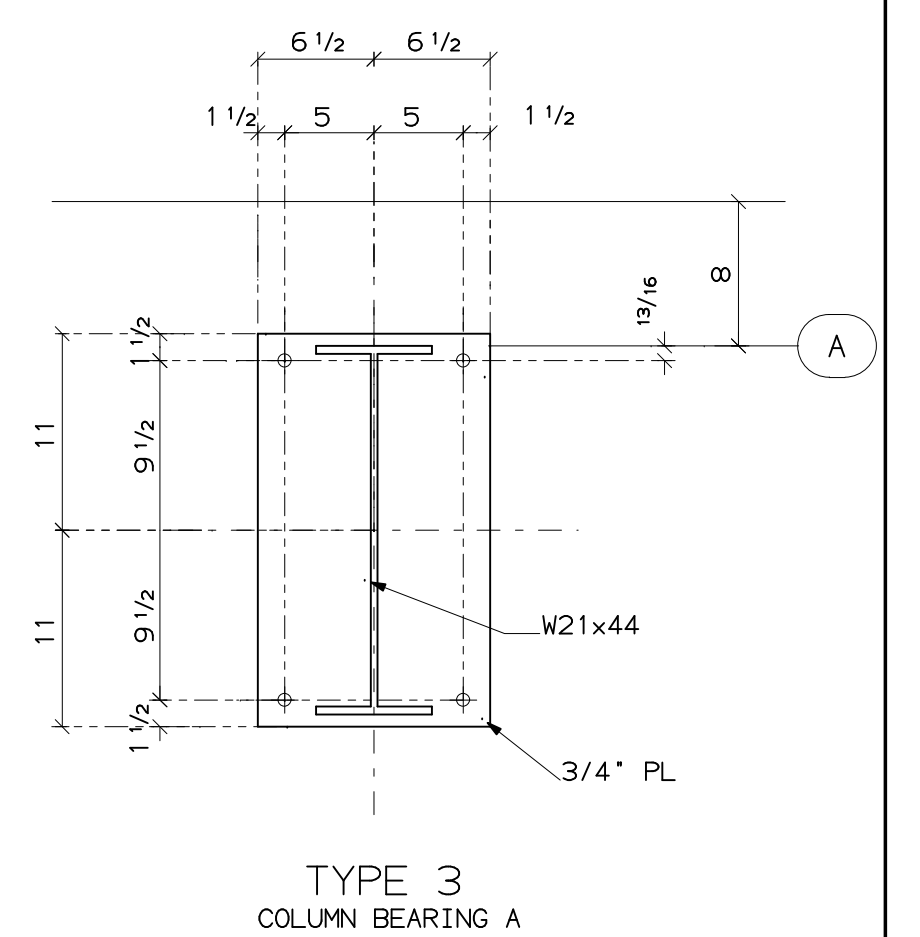
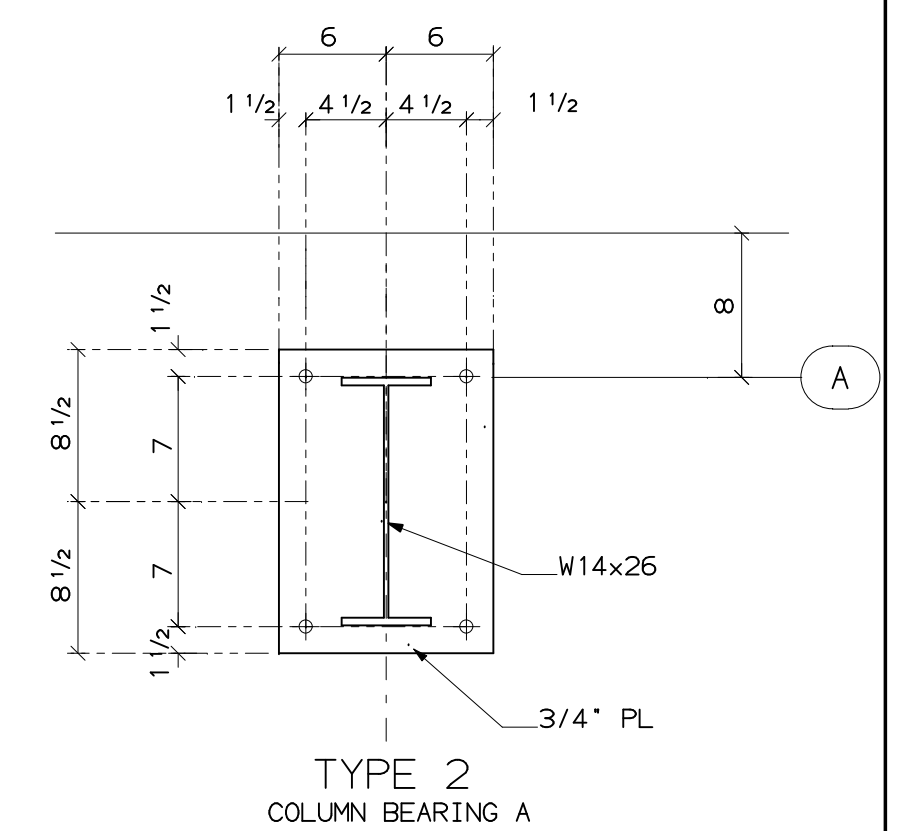
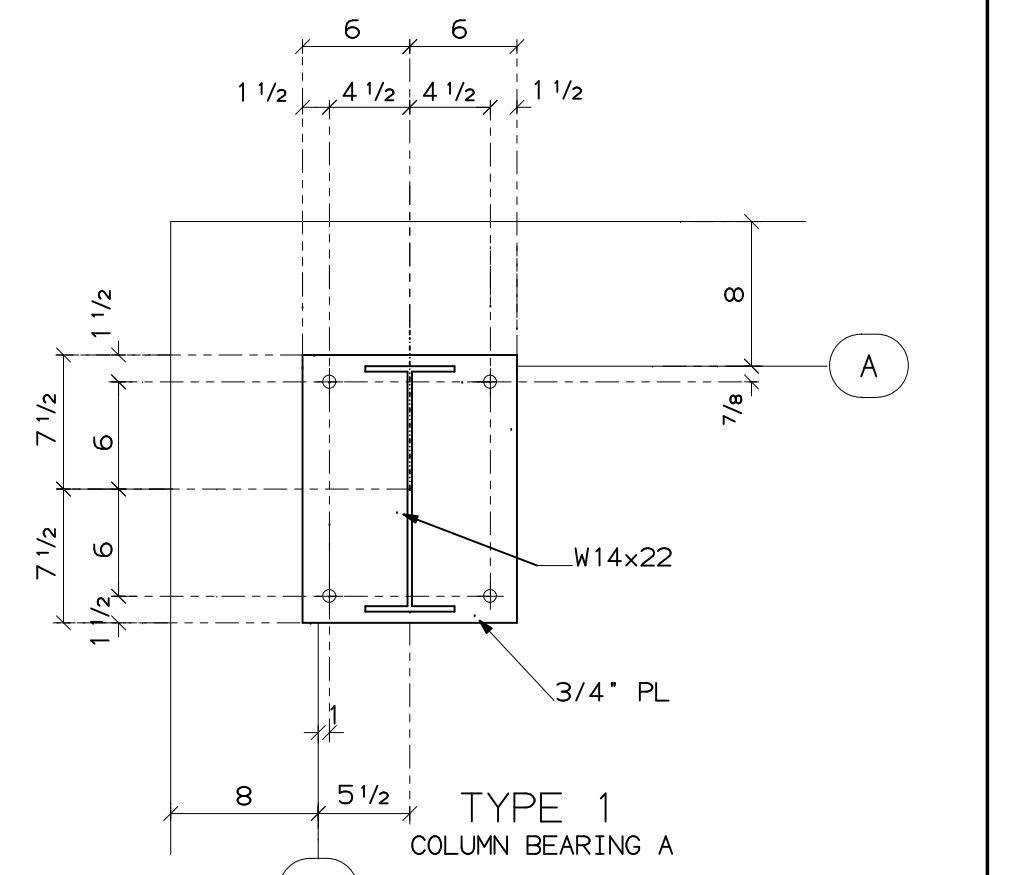
COLUMN BEARING B



TYPE 5 COLUMN BEARING A



TYPE 4 COLUMN BEARING B



COPYRIGHT © NOV. 14 2019 BY GIPSON STEEL INC. STRUCAD

GIPSON STEEL, INC.
 2770 SELLERS DRIVE
 MERIDIAN, MS 39301
 PHONE NO. 601-482-5131 FAX NO. 601-485-5119

GENERAL NOTES

CLIENT
McMath Construction

PROJECT
Heritage Plastics

TITLE
Picayune, Ms.

DRAWN Kight 11/13/19

CHECKED

SCALE NTS

JOB No 3222

DWG No. AB1

REV

REV	BY	DATE	DETAILS	REV	BY	DATE	DETAILS

