

#### 4.1.6 WATER CLOSETS.

- 4.1.6.1 GENERAL ACCESSIBLE WATER CLOSETS SHALL COMPLY WITH 4.1.6.
- 4.1.6.2 CLEAR FLOOR SPACE CLEAR FLOOR SPACE FOR WATER CLOSETS NOT IN STALLS SHALL COMPLY WITH 4.1.6. CLEAR FLOOR SPACE MAY BE ARRANGED TO ALLOW EITHER A LEFT-HANDED OR RIGHT-HANDED APPROACH.
- 4.1.6.3 HEIGHT THE HEIGHT OF WATER CLOSETS SHALL BE 1'7" TO 1'9" (430mm TO 485mm), MEASURED TO THE TOP OF THE TOILET SEAT. SEATS SHALL NOT BE SPRUNG TO RETURN TO A LIFTED POSITION (SEE FIG. 31).
- 4.1.6.4 GRAB BARS GRAB BARS FOR WATER CLOSETS NOT LOCATED IN STALL SHALL COMPLY WITH 4.2.6 AND FIG. 31.
- 4.1.6.5 FLUSH CONTROLS FLUSH CONTROLS SHALL BE HAND OPERATED OR AUTOMATIC AND SHALL COMPLY WITH 4.27.4. CONTROLS FOR FLUSH VALVES SHALL BE MOUNTED ON THE WIDE SIDE OF TOILET AREAS NO MORE THAN 44" (1120mm) ABOVE THE FLOOR.
- 4.1.6.6 DISPENSERS TOILET PAPER DISPENSERS SHALL BE INSTALLED WITHIN REACH, AS SHOWN IN FIG. 31. DISPENSERS THAT CONTROL DELIVER, OR THAT DO NOT RETURN CONTROLED FLOW, SHALL NOT BE USED.

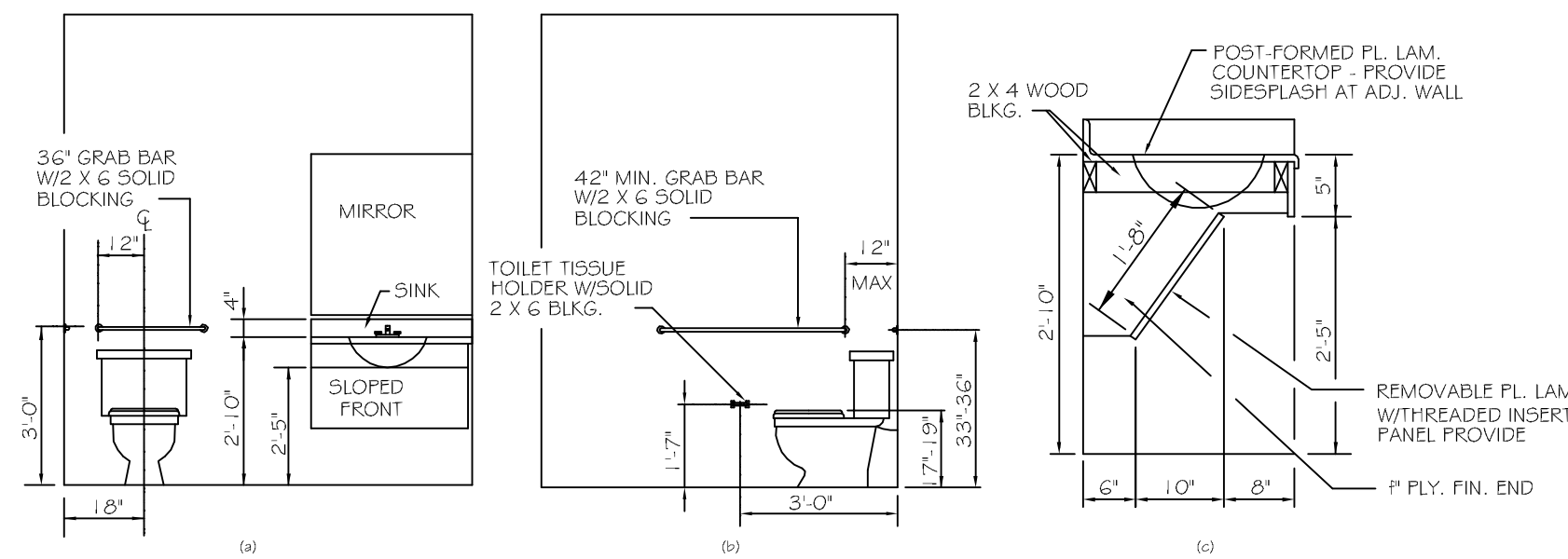


FIG. 31 LAVATORY & WATER CLOSET CLEARANCES  
N.T.S.

#### 4.1.7 TOILET STALLS.

- 4.1.7.1 LOCATION ACCESSIBLE TOILET STALLS SHALL BE ON AN ACCESSIBLE ROUTE AND SHALL MEET THE REQUIREMENTS OF 4.1.7.
- 4.1.7.2 WATER CLOSETS WATER CLOSETS IN ACCESSIBLE STALLS SHALL COMPLY WITH 4.1.6.
- 4.1.7.3 SIZE AND ARRANGEMENT THE SIZE AND ARRANGEMENT OF STANDARD TOILET STALL SHALL COMPLY WITH 4.1.7. STANDARD TOILET STALLS WITH A MINIMUM WIDTH OF 56" (1420mm) SHALL HAVE WALL-MOUNTED WATER CLOSETS. IF THE DEPTH OF A STANDARD TOILET STALL IS INCREASED AT LEAST 3" (75mm), THEN A FLOOR-MOUNTED WATER CLOSET MAY BE USED. ARRANGEMENTS SHOWN FOR STANDARD TOILET STALLS MAY BE REVERSED TO ALLOW EITHER A LEFT- OR RIGHT-HANDED APPROACH. ADDITIONAL STALLS SHALL COMPLY IN CONFORMANCE WITH 4.23.4.

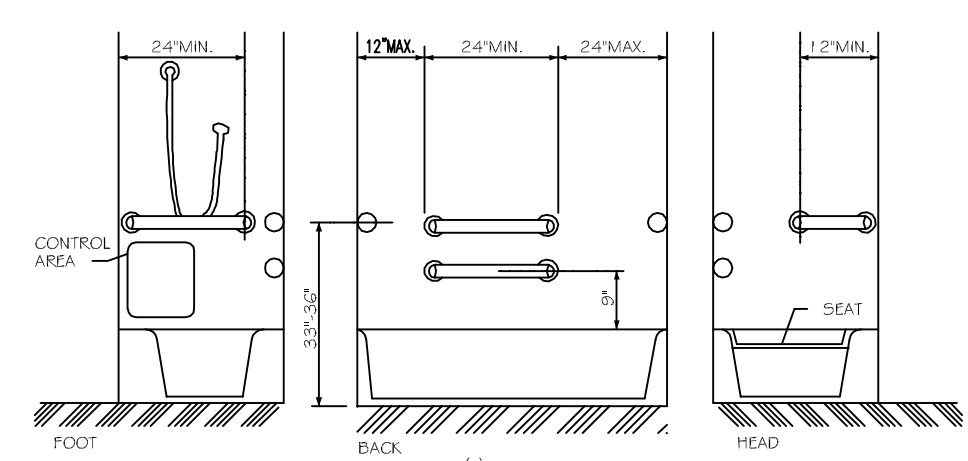


FIG. 32 TOILET STALLS  
N.T.S.

- 4.1.7.4 TOE CLEARANCES IN STANDARD STALLS, THE FRONT PARTITION AND AT LEAST ONE SIDE PARTITION SHALL PROVIDE A TOE CLEARANCE OF AT LEAST 9" (230mm) ABOVE THE FLOOR. IF THE DEPTH OF THE STALL IS GREATER THAN 60" (1525mm), THEN THE TOE CLEARANCE IS NOT REQUIRED.
- 4.1.7.5 DOORS TOILET STALL DOORS, INCLUDING DOOR HARDWARE, SHALL COMPLY WITH 4.13. IF TOILET STALL APPROACH IS FROM THE LATCH SIDE OF THE STALL DOOR, CLEARANCE BETWEEN THE DOOR-SIDE OF THE STALL AND ANY OBSTRUCTION MAY BE REDUCED TO A MINIMUM OF 42" (1065mm).
- 4.1.7.6 GRAB BARS GRAB BARS MAY BE MOUNTED WITH ANY DESIRED METHOD AS LONG AS THEY HAVE A GRIPPING SURFACE AT THE LOCATIONS SHOWN IN FIG. 31 AND DO NOT OBSTRUCT THE REQUIRED CLEAR FLOOR AREA. GRAB BARS SHALL COMPLY WITH 4.2.6.

- 4.1.7.7 TOILET STALLS TOILET STALLS SHALL COMPLY WITH 4.1.7.
- 4.1.7.8 TOILET STALLS TOILET STALLS SHALL COMPLY WITH 4.1.7.
- 4.1.7.9 TOILET STALLS TOILET STALLS SHALL COMPLY WITH 4.1.7.

- 4.1.7.10 TOILET STALLS TOILET STALLS SHALL COMPLY WITH 4.1.7.
- 4.1.7.11 TOILET STALLS TOILET STALLS SHALL COMPLY WITH 4.1.7.
- 4.1.7.12 TOILET STALLS TOILET STALLS SHALL COMPLY WITH 4.1.7.

- 4.1.8 URINALS ACCESSIBLE URINALS SHALL COMPLY WITH 4.1.8.
- 4.1.8.1 GENERAL ACCESSIBLE URINALS SHALL COMPLY WITH 4.1.8.
- 4.1.8.2 HEIGHT URINALS SHALL BE STALL-TYPE OR WALL-MOUNT WITH AN ELONGATED RIM AT A MAXIMUM OF 1'7" (430mm) ABOVE THE FINISH FLOOR.
- 4.1.8.3 CLEAR FLOOR SPACE A CLEAR FLOOR SPACE 30" BY 48" (760mm BY 1220mm) SHALL BE PROVIDED IN FRONT OF URINALS TO ALLOW FORWARD APPROACH. THIS CLEAR SPACE SHALL ADJOIN OR OVERLAP AN ACCESSIBLE ROUTE AND SHALL COMPLY WITH 4.2.4. URINALS SHALL NOT EXTEND BEYOND THE FRONT EDGE OF THE URINAL RIM AND PROVIDE WITH 22" (555mm) CLEARANCE BETWEEN THEM.
- 4.1.8.4 FLUSH CONTROLS FLUSH CONTROLS SHALL BE HAND OPERATED OR AUTOMATIC, AND SHALL COMPLY WITH 4.27.4, AND SHALL BE MOUNTED NO MORE THAN 44" (1120mm) ABOVE THE FINISH FLOOR.

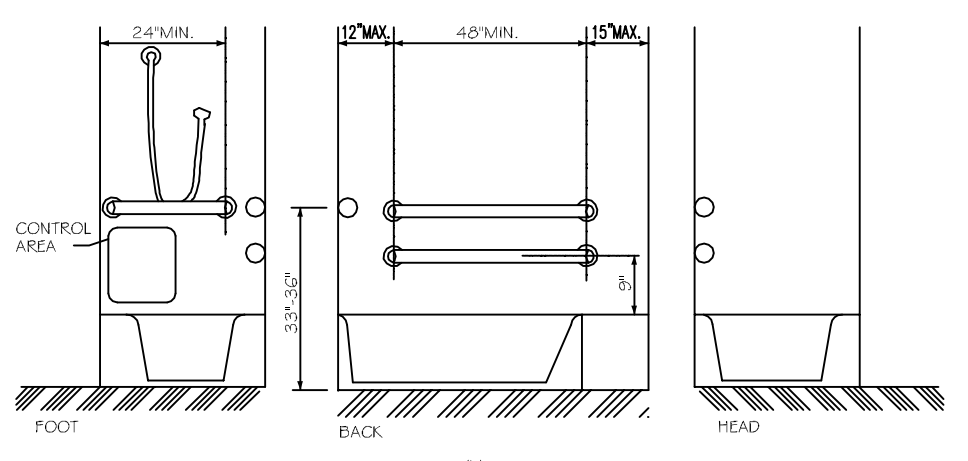


FIG. 34 GRAB BARS AT BATHTUBS  
N.T.S.

- 4.1.8.5 URINALS URINALS SHALL COMPLY WITH 4.1.8.
- 4.1.8.6 URINALS URINALS SHALL COMPLY WITH 4.1.8.
- 4.1.8.7 URINALS URINALS SHALL COMPLY WITH 4.1.8.

- 4.1.8.8 URINALS URINALS SHALL COMPLY WITH 4.1.8.
- 4.1.8.9 URINALS URINALS SHALL COMPLY WITH 4.1.8.
- 4.1.8.10 URINALS URINALS SHALL COMPLY WITH 4.1.8.

- 4.1.9 LAVATORIES & MIRRORS THE REQUIREMENTS OF 4.1.9 SHALL APPLY TO LAVATORIES, VANITIES, AND SINKS IN LAVATORIES.
- 4.1.9.1 HEIGHT A CLEARANCE OF 66" (1675mm) ABOVE THE FINISH FLOOR, PROVIDE A CLEARANCE OF AT LEAST 29" (735mm) ABOVE THE FINISH FLOOR TO THE BOTTOM OF THE APRON (SEE FIG. 31).
- 4.1.9.2 CLEAR FLOOR SPACE A CLEAR FLOOR SPACE 30" BY 48" (760mm BY 1220mm) SHALL BE PROVIDED IN FRONT OF LAVATORIES TO ALLOW FORWARD APPROACH. SUCH CLEAR FLOOR SPACE SHALL ADJOIN OR OVERLAP AN ACCESSIBLE ROUTE AND SHALL EXTEND A MAXIMUM OF 1'9" (485mm) UNDERNEATH THE LAVATORY.
- 4.1.9.3 EXPOSED PIPES & SURFACES HOT WATER AND DRAIN PIPES UNDER LAVATORIES SHALL BE INSULATED OR OTHERWISE CONFIGURED TO PROTECT AGAINST CONTACT. THERE SHALL BE NO SHARP OR ABRASIVE SURFACES UNDER LAVATORIES.
- 4.1.9.4 FAUCETS FAUCETS SHALL COMPLY WITH 4.27.4. LEVER-OPERATED, PUSH-TYPE, AND ELECTRONICALLY CONTROLLED MECHANISMS ARE EXAMPLES OF ACCEPTABLE DESIGNS. IF SELF-CLOSING VALVES ARE USED, THE FAUCET SHALL REMAIN OPEN AT LEAST 10 SECONDS.
- 4.1.9.5 MIRRORS MIRRORS SHALL BE MOUNTED WITH THE BOTTOM EDGE OF THE REFLECTING SURFACE NO HIGHER THAN 40" (1015mm) ABOVE THE FINISH FLOOR (SEE FIG. 31).

- 4.1.9.6 LAVATORIES LAVATORIES SHALL COMPLY WITH 4.1.9.
- 4.1.9.7 LAVATORIES LAVATORIES SHALL COMPLY WITH 4.1.9.
- 4.1.9.8 LAVATORIES LAVATORIES SHALL COMPLY WITH 4.1.9.

- 4.1.9.9 LAVATORIES LAVATORIES SHALL COMPLY WITH 4.1.9.
- 4.1.9.10 LAVATORIES LAVATORIES SHALL COMPLY WITH 4.1.9.
- 4.1.9.11 LAVATORIES LAVATORIES SHALL COMPLY WITH 4.1.9.

- 4.1.9.12 LAVATORIES LAVATORIES SHALL COMPLY WITH 4.1.9.
- 4.1.9.13 LAVATORIES LAVATORIES SHALL COMPLY WITH 4.1.9.
- 4.1.9.14 LAVATORIES LAVATORIES SHALL COMPLY WITH 4.1.9.

- 4.1.9.15 LAVATORIES LAVATORIES SHALL COMPLY WITH 4.1.9.
- 4.1.9.16 LAVATORIES LAVATORIES SHALL COMPLY WITH 4.1.9.
- 4.1.9.17 LAVATORIES LAVATORIES SHALL COMPLY WITH 4.1.9.

- 4.1.9.18 LAVATORIES LAVATORIES SHALL COMPLY WITH 4.1.9.
- 4.1.9.19 LAVATORIES LAVATORIES SHALL COMPLY WITH 4.1.9.
- 4.1.9.20 LAVATORIES LAVATORIES SHALL COMPLY WITH 4.1.9.

- 4.1.9.21 LAVATORIES LAVATORIES SHALL COMPLY WITH 4.1.9.
- 4.1.9.22 LAVATORIES LAVATORIES SHALL COMPLY WITH 4.1.9.
- 4.1.9.23 LAVATORIES LAVATORIES SHALL COMPLY WITH 4.1.9.

- 4.1.9.24 LAVATORIES LAVATORIES SHALL COMPLY WITH 4.1.9.
- 4.1.9.25 LAVATORIES LAVATORIES SHALL COMPLY WITH 4.1.9.
- 4.1.9.26 LAVATORIES LAVATORIES SHALL COMPLY WITH 4.1.9.

- 4.1.9.27 LAVATORIES LAVATORIES SHALL COMPLY WITH 4.1.9.
- 4.1.9.28 LAVATORIES LAVATORIES SHALL COMPLY WITH 4.1.9.
- 4.1.9.29 LAVATORIES LAVATORIES SHALL COMPLY WITH 4.1.9.

- 4.1.9.30 LAVATORIES LAVATORIES SHALL COMPLY WITH 4.1.9.
- 4.1.9.31 LAVATORIES LAVATORIES SHALL COMPLY WITH 4.1.9.
- 4.1.9.32 LAVATORIES LAVATORIES SHALL COMPLY WITH 4.1.9.

- 4.1.9.33 LAVATORIES LAVATORIES SHALL COMPLY WITH 4.1.9.
- 4.1.9.34 LAVATORIES LAVATORIES SHALL COMPLY WITH 4.1.9.
- 4.1.9.35 LAVATORIES LAVATORIES SHALL COMPLY WITH 4.1.9.

- 4.1.9.36 LAVATORIES LAVATORIES SHALL COMPLY WITH 4.1.9.
- 4.1.9.37 LAVATORIES LAVATORIES SHALL COMPLY WITH 4.1.9.
- 4.1.9.38 LAVATORIES LAVATORIES SHALL COMPLY WITH 4.1.9.

- 4.1.9.39 LAVATORIES LAVATORIES SHALL COMPLY WITH 4.1.9.
- 4.1.9.40 LAVATORIES LAVATORIES SHALL COMPLY WITH 4.1.9.
- 4.1.9.41 LAVATORIES LAVATORIES SHALL COMPLY WITH 4.1.9.

- 4.1.9.42 LAVATORIES LAVATORIES SHALL COMPLY WITH 4.1.9.
- 4.1.9.43 LAVATORIES LAVATORIES SHALL COMPLY WITH 4.1.9.
- 4.1.9.44 LAVATORIES LAVATORIES SHALL COMPLY WITH 4.1.9.

- 4.1.9.45 LAVATORIES LAVATORIES SHALL COMPLY WITH 4.1.9.
- 4.1.9.46 LAVATORIES LAVATORIES SHALL COMPLY WITH 4.1.9.
- 4.1.9.47 LAVATORIES LAVATORIES SHALL COMPLY WITH 4.1.9.

- 4.1.9.48 LAVATORIES LAVATORIES SHALL COMPLY WITH 4.1.9.
- 4.1.9.49 LAVATORIES LAVATORIES SHALL COMPLY WITH 4.1.9.
- 4.1.9.50 LAVATORIES LAVATORIES SHALL COMPLY WITH 4.1.9.

- 4.2.3.5 CLEAR FLOOR SPACE A CLEAR FLOOR SPACE AT LEAST 30" BY 48" (760mm BY 1220mm) COMPLYING WITH 4.2.4 SHALL BE PROVIDED IN FRONT OF A SINK TO ALLOW FORWARD APPROACH. THE CLEAR FLOOR SPACE SHALL BE ON AN ACCESSIBLE ROUTE AND SHALL EXTEND A MAXIMUM OF 1'9" (485mm) UNDERNEATH THE SINK.
- 4.2.3.6 EXPOSED PIPES AND SURFACES HOT WATER AND DRAIN PIPES EXPOSED UNDER SINKS SHALL BE INSULATED OR OTHERWISE COVERED. THERE SHALL BE NO SHARP OR ABRASIVE SURFACES UNDER SINKS.
- 4.2.3.7 FAUCETS FAUCETS SHALL COMPLY WITH 4.27.4. LEVER-OPERATED, PUSH-TYPE, TOUCH-TYPE, OR ELECTRONICALLY CONTROLLED MECHANISMS ARE ACCEPTABLE DESIGNS.

- 4.2.3.8 LAVATORIES LAVATORIES SHALL COMPLY WITH 4.1.9.
- 4.2.3.9 LAVATORIES LAVATORIES SHALL COMPLY WITH 4.1.9.
- 4.2.3.10 LAVATORIES LAVATORIES SHALL COMPLY WITH 4.1.9.

- 4.2.3.11 LAVATORIES LAVATORIES SHALL COMPLY WITH 4.1.9.
- 4.2.3.12 LAVATORIES LAVATORIES SHALL COMPLY WITH 4.1.9.
- 4.2.3.13 LAVATORIES LAVATORIES SHALL COMPLY WITH 4.1.9.

- 4.2.3.14 LAVATORIES LAVATORIES SHALL COMPLY WITH 4.1.9.
- 4.2.3.15 LAVATORIES LAVATORIES SHALL COMPLY WITH 4.1.9.
- 4.2.3.16 LAVATORIES LAVATORIES SHALL COMPLY WITH 4.1.9.

- 4.2.3.17 LAVATORIES LAVATORIES SHALL COMPLY WITH 4.1.9.
- 4.2.3.18 LAVATORIES LAVATORIES SHALL COMPLY WITH 4.1.9.
- 4.2.3.19 LAVATORIES LAVATORIES SHALL COMPLY WITH 4.1.9.

- 4.2.3.20 LAVATORIES LAVATORIES SHALL COMPLY WITH 4.1.9.
- 4.2.3.21 LAVATORIES LAVATORIES SHALL COMPLY WITH 4.1.9.
- 4.2.3.22 LAVATORIES LAVATORIES SHALL COMPLY WITH 4.1.9.

- 4.2.3.23 LAVATORIES LAVATORIES SHALL COMPLY WITH 4.1.9.
- 4.2.3.24 LAVATORIES LAVATORIES SHALL COMPLY WITH 4.1.9.
- 4.2.3.25 LAVATORIES LAVATORIES SHALL COMPLY WITH 4.1.9.

- 4.2.3.26 LAVATORIES LAVATORIES SHALL COMPLY WITH 4.1.9.
- 4.2.3.27 LAVATORIES LAVATORIES SHALL COMPLY WITH 4.1.9.
- 4.2.3.28 LAVATORIES LAVATORIES SHALL COMPLY WITH 4.1.9.

- 4.2.3.29 LAVATORIES LAVATORIES SHALL COMPLY WITH 4.1.9.
- 4.2.3.30 LAVATORIES LAVATORIES SHALL COMPLY WITH 4.1.9.
- 4.2.3.31 LAVATORIES LAVATORIES SHALL COMPLY WITH 4.1.9.

- 4.2.3.32 LAVATORIES LAVATORIES SHALL COMPLY WITH 4.1.9.
- 4.2.3.33 LAVATORIES LAVATORIES SHALL COMPLY WITH 4.1.9.
- 4.2.3.34 LAVATORIES LAVATORIES SHALL COMPLY WITH 4.1.9.

- 4.2.3.35 LAVATORIES LAVATORIES SHALL COMPLY WITH 4.1.9.
- 4.2.3.36 LAVATORIES LAVATORIES SHALL COMPLY WITH 4.1.9.
- 4.2.3.37 LAVATORIES LAVATORIES SHALL COMPLY WITH 4.1.9.

- 4.2.3.38 LAVATORIES LAVATORIES SHALL COMPLY WITH 4.1.9.
- 4.2.3.39 LAVATORIES LAVATORIES SHALL COMPLY WITH 4.1.9.
- 4.2.3.40 LAVATORIES LAVATORIES SHALL COMPLY WITH 4.1.9.

- 4.2.3.41 LAVATORIES LAVATORIES SHALL COMPLY WITH 4.1.9.
- 4.2.3.42 LAVATORIES LAVATORIES SHALL COMPLY WITH 4.1.9.
- 4.2.3.43 LAVATORIES LAVATORIES SHALL COMPLY WITH 4.1.9.

- 4.2.3.44 LAVATORIES LAVATORIES SHALL COMPLY WITH 4.1.9.
- 4.2.3.45 LAVATORIES LAVATORIES SHALL COMPLY WITH 4.1.9.
- 4.2.3.46 LAVATORIES LAVATORIES SHALL COMPLY WITH 4.1.9.

- 4.2.3.47 LAVATORIES LAVATORIES SHALL COMPLY WITH 4.1.9.
- 4.2.3.48 LAVATORIES LAVATORIES SHALL COMPLY WITH 4.1.9.
- 4.2.3.49 LAVATORIES LAVATORIES SHALL COMPLY WITH 4.1.9.

- 4.2.3.50 LAVATORIES LAVATORIES SHALL COMPLY WITH 4.1.9.
- 4.2.3.51 LAVATORIES LAVATORIES SHALL COMPLY WITH 4.1.9.
- 4.2.3.52 LAVATORIES LAVATORIES SHALL COMPLY WITH 4.1.9.

- 4.2.3.53 LAVATORIES LAVATORIES SHALL COMPLY WITH 4.1.9.
- 4.2.3.54 LAVATORIES LAVATORIES SHALL COMPLY WITH 4.1.9.
- 4.2.3.55 LAVATORIES LAVATORIES SHALL COMPLY WITH 4.1.9.

- 4.2.3.56 LAVATORIES LAVATORIES SHALL COMPLY WITH 4.1.9.
- 4.2.3.57 LAVATORIES LAVATORIES SHALL COMPLY WITH 4.1.9.
- 4.2.3.58 LAVATORIES LAVATORIES SHALL COMPLY WITH 4.1.9.

- 4.2.3.59 LAVATORIES LAVATORIES SHALL COMPLY WITH 4.1.9.
- 4.2.3.60 LAVATORIES LAVATORIES SHALL COMPLY WITH 4.1.9.
- 4.2.3.61 LAVATORIES LAVATORIES SHALL COMPLY WITH 4.1.9.

- 4.2.3.62 LAVATORIES LAVATORIES SHALL COMPLY WITH 4.1.9.
- 4.2.3.63 LAVATORIES LAVATORIES SHALL COMPLY WITH 4.1.9.
- 4.2.3.64 LAVATORIES LAVATORIES SHALL COMPLY WITH 4.1.9.

- 4.2.3.65 LAVATORIES LAVATORIES SHALL COMPLY WITH 4.1.9.
- 4.2.3.66 LAVATORIES LAVATORIES SHALL COMPLY WITH 4.1.9.
- 4.2.3.67 LAVATORIES LAVATORIES SHALL COMPLY WITH 4.1.9.

- 4.2.3.68 LAVATORIES LAVATORIES SHALL COMPLY WITH 4.1.9.
- 4.2.3.69 LAVATORIES LAVATORIES SHALL COMPLY WITH 4.1.9.
- 4.2.3.70 LAVATORIES LAVATORIES SHALL COMPLY WITH 4.1.9.

- 4.2.3.71 LAVATORIES LAVATORIES SHALL COMPLY WITH 4.1.9.
- 4.2.3.72 LAVATORIES LAVATORIES SHALL COMPLY WITH 4.1.9.
- 4.2.3.73 LAVATORIES LAVATORIES SHALL COMPLY WITH 4.1.9.

- 4.2.3.74 LAVATORIES LAVATORIES SHALL COMPLY WITH 4.1.9.
- 4.2.3.75 LAVATORIES LAVATORIES SHALL COMPLY WITH 4.1.9.
- 4.2.3.76 LAVATORIES LAVATORIES SHALL COMPLY WITH 4.1.9.

- 4.2.3.77 LAVATORIES LAVATORIES SHALL COMPLY WITH 4.1.9.
- 4.2.3.78 LAVATORIES LAVATORIES SHALL COMPLY WITH 4.1.9.
- 4.2.3.79 LAVATORIES LAVATORIES SHALL COMPLY WITH 4.1.9.

- 4.2.3.80 LAVATORIES LAVATORIES SHALL COMPLY WITH 4.1.9.
- 4.2.3.81 LAVATORIES LAVATORIES SHALL COMPLY WITH 4.1.9.
- 4.2.3.82 LAVATORIES LAVATORIES SHALL COMPLY WITH 4.1.9.

- 4.2.3.83 LAVATORIES LAVATORIES SHALL COMPLY WITH 4.1.9.
- 4.2.3.84 LAVATORIES LAVATORIES SHALL COMPLY WITH 4.1.9.
- 4.2.3.85 LAVATORIES LAVATORIES SHALL COMPLY WITH 4.1.9.

- 4.2.3.86 LAVATORIES LAVATORIES SHALL COMPLY WITH 4.1.9.
- 4.2.3.87 LAVATORIES LAVATORIES SHALL COMPLY WITH 4.1.9.
- 4.2.3.88 LAVATORIES LAVATORIES SHALL COMPLY WITH 4.1.9.

- 4.2.3.89 LAVATORIES LAVATORIES SHALL COMPLY WITH 4.1.9.
- 4.2.3.90 LAVATORIES LAVATORIES SHALL COMPLY WITH 4.1.9.
- 4.2.3.91 LAVATORIES LAVATORIES SHALL COMPLY WITH 4.1.9.

- 4.2.3.92 LAVATORIES LAVATORIES SHALL COMPLY WITH 4.1.9.
- 4.2.3.93 LAVATORIES LAVATORIES SHALL COMPLY WITH 4.1.9.
- 4.2.3.94 LAVATORIES LAVATORIES SHALL COMPLY WITH 4.1.9.

- 4.2.3.95 LAVATORIES LAVATORIES SHALL COMPLY WITH 4.1.9.
- 4.2.3.96 LAVATORIES LAVATORIES SHALL COMPLY WITH 4.1.9.
- 4.2.3.97 LAVATORIES LAVATORIES SHALL COMPLY WITH 4.1.9.

- 4.2.3.98 LAVATORIES LAVATORIES SHALL COMPLY WITH 4.1.9.
- 4.2.3.99 LAVATORIES LAVATORIES SHALL COMPLY WITH 4.1.9.
- 4.2.3.100 LAVATORIES LAVATORIES SHALL COMPLY WITH 4.1.9.

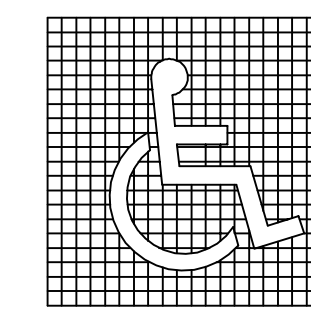


FIG. 30 PROFILES

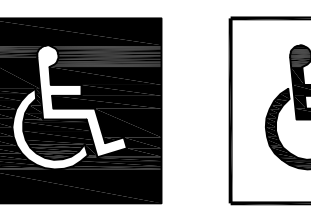


FIG. 33 DISPLAY CONDITIONS

FIG. 43

#### INTERNATIONAL SYMBOL OF ACCESSIBILITY

N.T.S.

#### 4.31 TELEPHONES.

- 4.31.1 GENERAL PUBLIC TELEPHONES REQUIRED TO BE ACCESSIBLE BY 4.1 SHALL COMPLY WITH 4.31.
- 4.31.2 CLEAR FLOOR OR GROUND SPACE A CLEAR FLOOR OR GROUND SPACE AT LEAST 30" BY 48" (760mm BY 1220mm) THAT ALLOWS EITHER A FORWARD OR PARALLEL APPROACH BY A PERSON USING A WHEELCHAIR SHALL BE PROVIDED AT TELEPHONES. THE CLEAR FLOOR OR GROUND SPACE SHALL COMPLY WITH 4.2.4. BASKETS, ENCLOSURES, AND FIXED SEATS SHALL NOT IMPERE APPROACHES TO TELEPHONES BY PEOPLE WHO USE WHEELCHAIRS.
- 4.31.3 MOUNTING HEIGHT THE HIGHEST OPERABLE PART OF THE TELEPHONE SHALL BE WITHIN THE REACH RANGES SPECIFIED IN 4.2.5 OR 4.2.6.
- 4.31.4 PROTRUDING DEVICES TELEPHONES SHALL COMPLY WITH 4.4.
- 4.31.5 EQUIPMENT FOR HEARING IMPAIRED PEOPLE TELEPHONES SHALL BE EQUIPPED WITH A RECEIVER THAT GENERATES A MAGNETIC FIELD IN THE AREA OF THE RECEIVER CAP. VOLUME CONTROLS SHALL BE PROVIDED IN ACCORDANCE WITH 4.1.2.
- 4.31.6 CONTROLS TELEPHONES SHALL HAVE PUSHBUTTON CONTROLS WHERE SERVICE FOR SUCH EQUIPMENT IS AVAILABLE.
- 4.31.7 TELEPHONE BOOKS TELEPHONE BOOKS, IF PROVIDED, SHALL BE LOCATED IN A POSITION THAT COMPLIES WITH THE REACH RANGES SPECIFIED IN 4.2.5 AND 4.2.6.
- 4.31.8 CORD LENGTH THE CORD FROM THE TELEPHONE TO THE HANDESET SHALL BE AT LEAST 29".

#### 4.32 SEATING, TABLES, AND WORK SURFACES.

- 4.32.1 MINIMUM NUMBER FIXED OR BUILT IN SEATING, TABLES, OR WORK SURFACES REQUIRED TO BE ACCESSIBLE BY 4.1 SHALL COMPLY WITH 4.32.
- 4.32.2 SEATING IF SEATING SPACES FOR PEOPLE IN WHEELCHAIRS ARE PROVIDED AT TABLES, COUNTERS, OR WORK SURFACES, CLEAR FLOOR SPACE COMPLYING WITH 4.2.4 SHALL BE PROVIDED. SUCH CLEAR FLOOR SPACE SHALL NOT OVERLAP KNEE SPACE (SEE FIG. 4.3).
- 4.32.3 KNEE CLEARANCES IF SEATING FOR PEOPLE IN WHEELCHAIRS IS PROVIDED AT TABLES, COUNTERS, AND WORK SURFACES, KNEE SPACES AT LEAST 27" (685mm) HIGH, 30" (760mm) WIDE AND 19" (485mm) DEEP SHALL BE PROVIDED.
- 4.32.4 HEIGHT OF WORK SURFACES THE TOPS OF TABLES AND WORK SURFACES SHALL BE FROM 29" TO 34" (710mm TO 865mm) FROM THE FLOOR OR GROUND.

#### 4.33 ASSEMBLY AREAS.

- 4.33.1 MINIMUM NUMBER ASSEMBLY AND ASSOCIATED AREAS REQUIRED TO BE ACCESSIBLE BY 4.1 SHALL COMPLY WITH 4.33.
- 4.33.2 SIZE OF WHEELCHAIR LOCATIONS EACH WHEELCHAIR LOCATION SHALL PROVIDE MINIMUM CLEAR GROUND OR FLOOR SPACES AS SHOWN IN FIG. 46.
- 4.33.3 PLACEMENT OF WHEELCHAIR LOCATIONS WHEELCHAIR AREAS SHALL BE AN INTEGRAL PART OF ANY FIXED SEATING PLAN AND SHALL BE DISPERSED THROUGHOUT THE SEATING AREA. THEY SHALL ADJOIN AN ACCESSIBLE ROUTE THAT ALSO SERVES AS A MEANS OF EGRESS IN CASE OF EMERGENCY AND SHALL BE LOCATED TO PROVIDE LINES OF SIGHT COMPARABLE TO THOSE FOR ALL VIEWING AREAS.

- EXCEPTION: ACCESSIBLE VIEWING POSITIONS MAY BE CLUSTERED FOR BLEACHERS, BALCONIES, AND OTHER AREAS HAVING SIGHT LINES THAT REQUIRE SECTIONS OF GREATER THAN 5 PERCENT. EQUIVALENT ACCESSIBLE VIEWING POSITIONS MAY BE LOCATED ON LEVELS HAVING ACCESSIBLE EGRESSES.
- 4.33.4 SURFACES THE GROUND OR FLOOR AT WHEELCHAIR LOCATIONS SHALL BE LEVEL AND COMPLY WITH 4.5.
- 4.33.5 ACCESS TO PERFORMING AREAS AN ACCESSIBLE ROUTE SHALL CONNECT WHEELCHAIR SEATING LOCATIONS WITH PERFORMING AREAS, INCLUDING STAGES, ARENA FLOORS, DRESSING ROOMS, LOCKER ROOMS, AND OTHER SPACES USED BY PERFORMERS.

- 4.33.6 PLACEMENT OF LISTENING SYSTEMS IF THE LISTENING SYSTEM PROVIDED SERVES INDIVIDUAL SEATING SEATS, THEN EACH SEAT SHALL BE LOCATED WITHIN A 50" (1270mm) VIEWING DISTANCE STAGE OR PLAYING AREA AND SHALL HAVE A COMPLETE VIEW OF THE STAGE OR PLAYING AREA.
- 4.33.7 TYPES OF LISTENING SYSTEMS AUDIO LOOPS AND RADIO FREQUENCY SYSTEMS ARE TWO ACCEPTABLE TYPES OF LISTENING SYSTEMS.

- 4.33.8 ACCESS TO PERFORMING AREAS AN ACCESSIBLE ROUTE SHALL CONNECT WHEELCHAIR SEATING LOCATIONS WITH PERFORMING AREAS, INCLUDING STAGES, ARENA FLOORS, DRESSING ROOMS, LOCKER ROOMS, AND OTHER SPACES USED BY PERFORMERS.
- 4.33.9 PLACEMENT OF LISTENING SYSTEMS IF THE LISTENING SYSTEM PROVIDED SERVES INDIVIDUAL SEATING SEATS, THEN EACH SEAT SHALL BE LOCATED WITHIN A 50" (1270mm) VIEWING DISTANCE STAGE OR PLAYING AREA AND SHALL HAVE A COMPLETE VIEW OF THE STAGE OR PLAYING AREA.
- 4.33.10 TYPES OF LISTENING SYSTEMS AUDIO LOOPS AND RADIO FREQUENCY SYSTEMS ARE TWO ACCEPTABLE TYPES OF LISTENING SYSTEMS.

- 4.33.11 ACCESS TO PERFORMING AREAS AN ACCESSIBLE ROUTE SHALL CONNECT WHEELCHAIR SEATING LOCATIONS WITH PERFORMING AREAS, INCLUDING STAGES, ARENA FLOORS, DRESSING ROOMS, LOCKER ROOMS, AND OTHER SPACES USED BY PERFORMERS.
- 4.33.12 PLACEMENT OF LISTENING SYSTEMS IF THE LISTENING SYSTEM PROVIDED SERVES INDIVIDUAL SEATING SEATS, THEN EACH SEAT SHALL BE LOCATED WITHIN A 50" (1270mm) VIEWING DISTANCE STAGE OR PLAYING AREA AND SHALL HAVE A COMPLETE VIEW OF THE STAGE OR PLAYING AREA.
- 4.33.13 TYPES OF LISTENING SYSTEMS AUDIO LOOPS AND RADIO FREQUENCY SYSTEMS ARE TWO ACCEPTABLE TYPES OF LISTENING SYSTEMS.

- 4.33.14 ACCESS TO PERFORMING AREAS AN ACCESSIBLE ROUTE SHALL CONNECT WHEELCHAIR SEATING LOCATIONS WITH PERFORMING AREAS, INCLUDING STAGES, ARENA FLOORS, DRESSING ROOMS, LOCKER ROOMS, AND OTHER SPACES USED BY PERFORMERS.
- 4.33.15 PLACEMENT OF LISTENING SYSTEMS IF THE LISTENING SYSTEM PROVIDED SERVES INDIVIDUAL SEATING SEATS, THEN EACH SEAT SHALL BE LOCATED WITHIN A 50" (1270mm) VIEWING DISTANCE STAGE OR PLAYING AREA AND SHALL HAVE A COMPLETE VIEW OF THE STAGE OR PLAYING AREA.
- 4.33.16 TYPES OF LISTENING SYSTEMS AUDIO LOOPS AND RADIO FREQUENCY SYSTEMS ARE TWO ACCEPTABLE TYPES OF LISTENING SYSTEMS.

- 4.33.17 ACCESS TO PERFORMING AREAS AN ACCESSIBLE ROUTE SHALL CONNECT WHEELCHAIR SEATING LOCATIONS WITH PERFORMING AREAS, INCLUDING STAGES, ARENA FLOORS, DRESSING ROOMS, LOCKER ROOMS, AND OTHER SPACES USED BY PERFORM