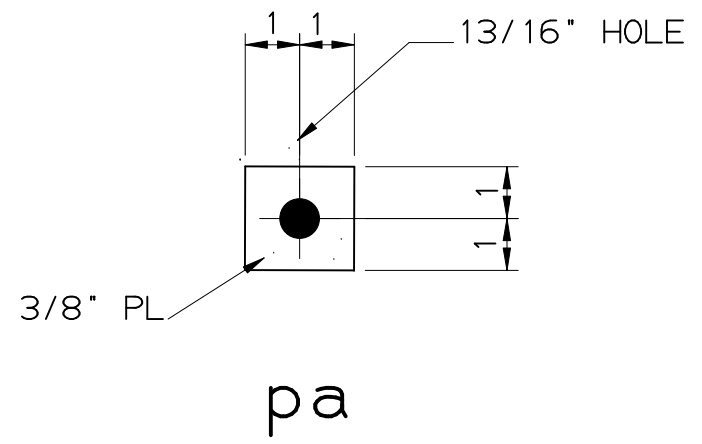
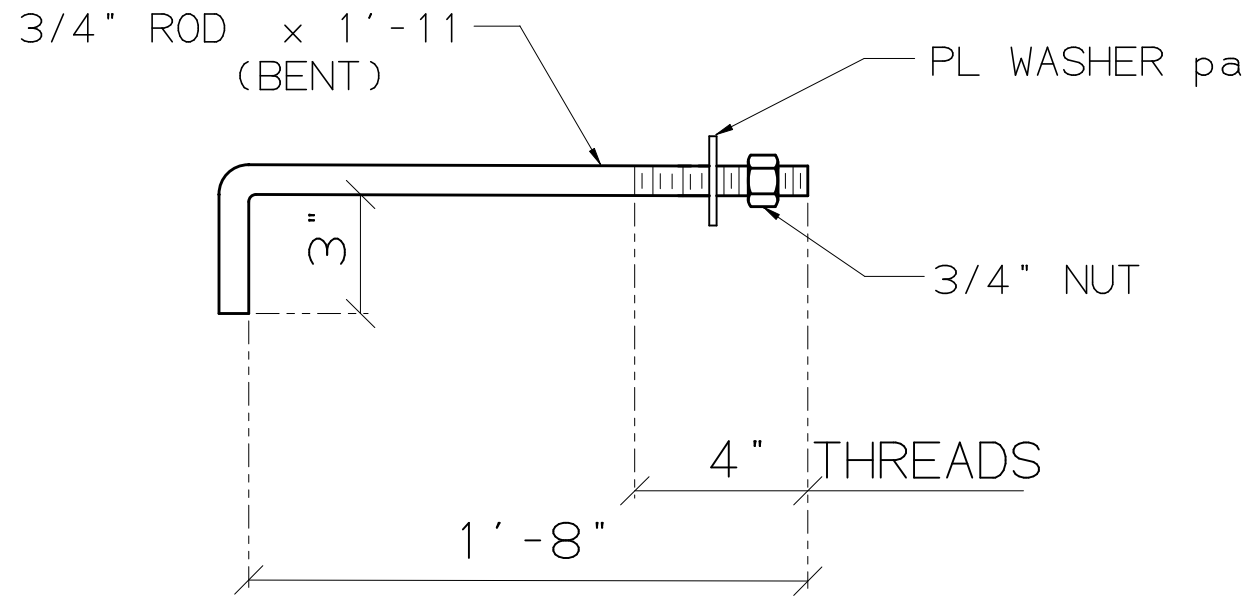


# SHOP BILL OF MATERIAL



SHIPPING MARK	NO.	DESCRIPTION	LENGTH		ASSEM. MARK	GRADE	REMARKS
			FT.	IN.			
M1	208	3/4" ROD	1	11		A307	BENT
	208	3/4" HEX NUT					
	208	PL2 x 3/8	0	2	pa	A36	

NO PAINT



208 REQ'D MARKED M1



COPYRIGHT © NOV. 14 2019 BY GIPSON STEEL INC. STRUCAD

				CLIENT McMath Construction	DRAWN Kight 11/16/19
				PROJECT Heritage Plastics	CHECKED
REV	BY	DATE	DETAILS	TITLE Picayune, Ms.	GENERAL NOTES ALL WELDS 1/4" UNO ALL HOLES 1 13/16" DIAM UNO TOTAL WEIGHT 933.7 lbs. Lb. STEEL GRADE A992gr50

**GIPSON STEEL, INC.**  
 2770 SELLERS DRIVE  
 MERIDIAN, MS 39301  
 PHONE NO. 601-482-5131  
 FAX NO. 601-485-5119

SCALE	JOB No	DWG No.	REV
NTS	3222	M1	