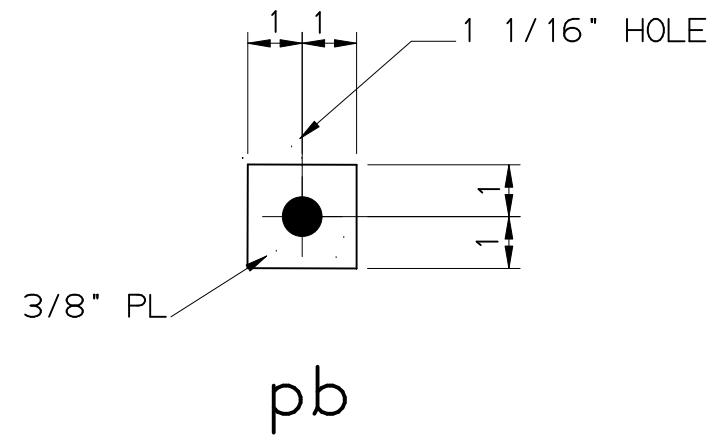
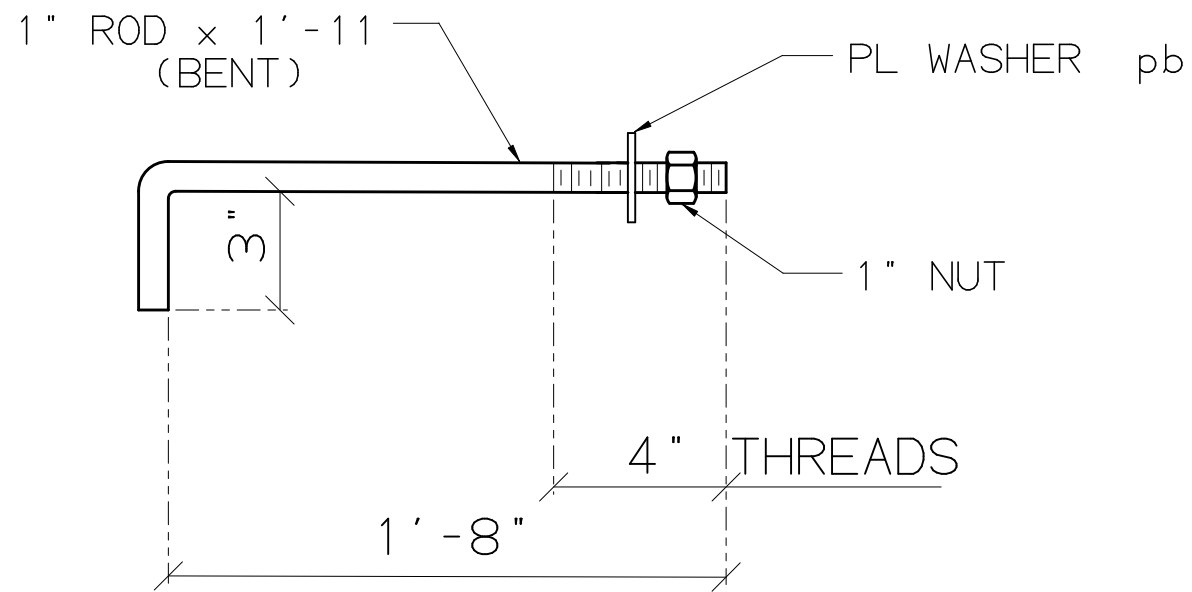


SHOP BILL OF MATERIAL



SHIPPING MARK	NO.	DESCRIPTION	LENGTH		ASSEM. MARK	GRADE	REMARKS
			FT.	IN.			
M2	36	3/4" ROD	1	11		A307	BENT
	36	3/4" HEX NUT					
	36	PL2 x 3/8	0	2	pb	A36	

NO PAINT



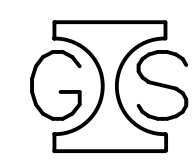
36 REQ'D MARKED M2



COPYRIGHT © NOV. 14 2019 BY GIPSON STEEL INC.

STRUCAD

				CLIENT McMath Construction	DRAWN Kight 11/16/19
				PROJECT Heritage Plastics	CHECKED
REV	BY	DATE	DETAILS	TITLE Picayune, Ms.	GENERAL NOTES ALL WELDS 1/4" UNO ALL HOLES 1 13/16" DIAM UNO TOTAL WEIGHT 933.7 lbs. Lb. STEEL GRADE A992gr50



GIPSON STEEL, INC.

2770 SELLERS DRIVE
MERIDIAN, MS 39301

PHONE NO.
601-482-5131

FAX NO.
601-485-5119

SCALE NTS	JOB No 3222	DWG No. M2	REV
--------------	----------------	---------------	-----