

2" FORCE MAIN NOTES:

1. PVC PLASTIC PRESSURE PIPE AND ASSOCIATED FITTINGS USE PIPE, COUPLINGS AND FITTINGS MANUFACTURED OF MATERIALS CONFORMING TO ASTM D 1784, CLASS 12454-B.

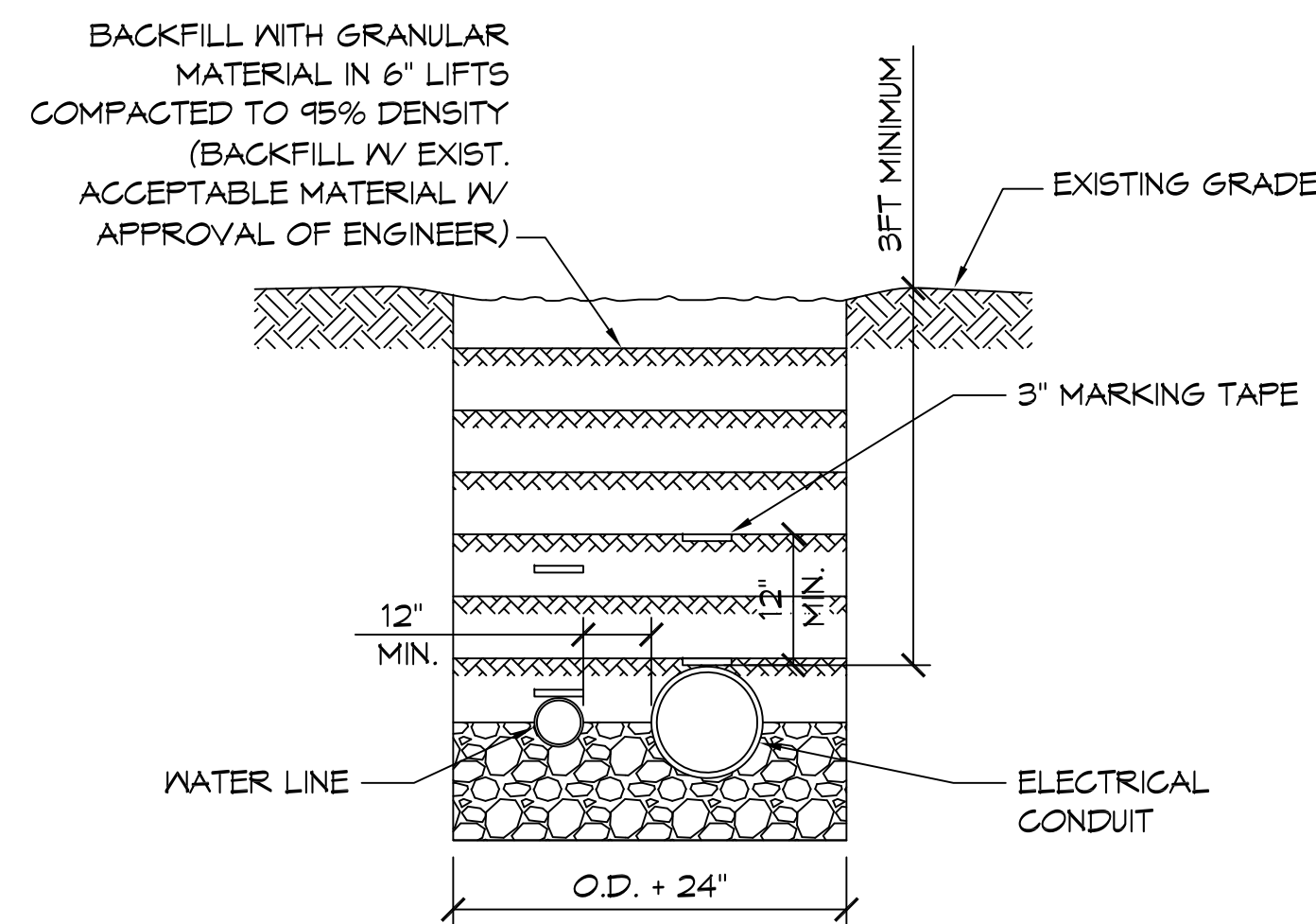
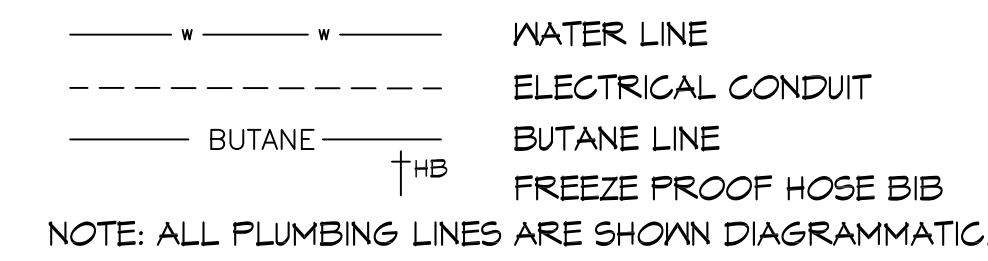
(1) PUSH-ON JOINT: ASTM D 3139, WITH ASTM F 477 GASKETS. FITTINGS FOR PUSH-ON JOINTS: ANWA C110/A21.10 OR ANWA C111/A21.11. IRON FITTINGS AND SPECIALS: CEMENT-MORTAR LINED (STANDARD THICKNESS) IN ACCORDANCE WITH ANWA C104/A21.4.

(2) SOLVENT CEMENT JOINT: USE PIPE CONFORMING TO DIMENSIONAL REQUIREMENTS OF ASTM D 1785 OR ASTM D 2241 WITH JOINTS MEETING THE REQUIREMENTS OF 150 PSI WORKING PRESSURE AND 200 PSI HYDROSTATIC TEST PRESSURE. USE FITTINGS FOR SOLVENT CEMENT JOINTING CONFORMING TO ASTM D 2466 OR ASTM D 2467.

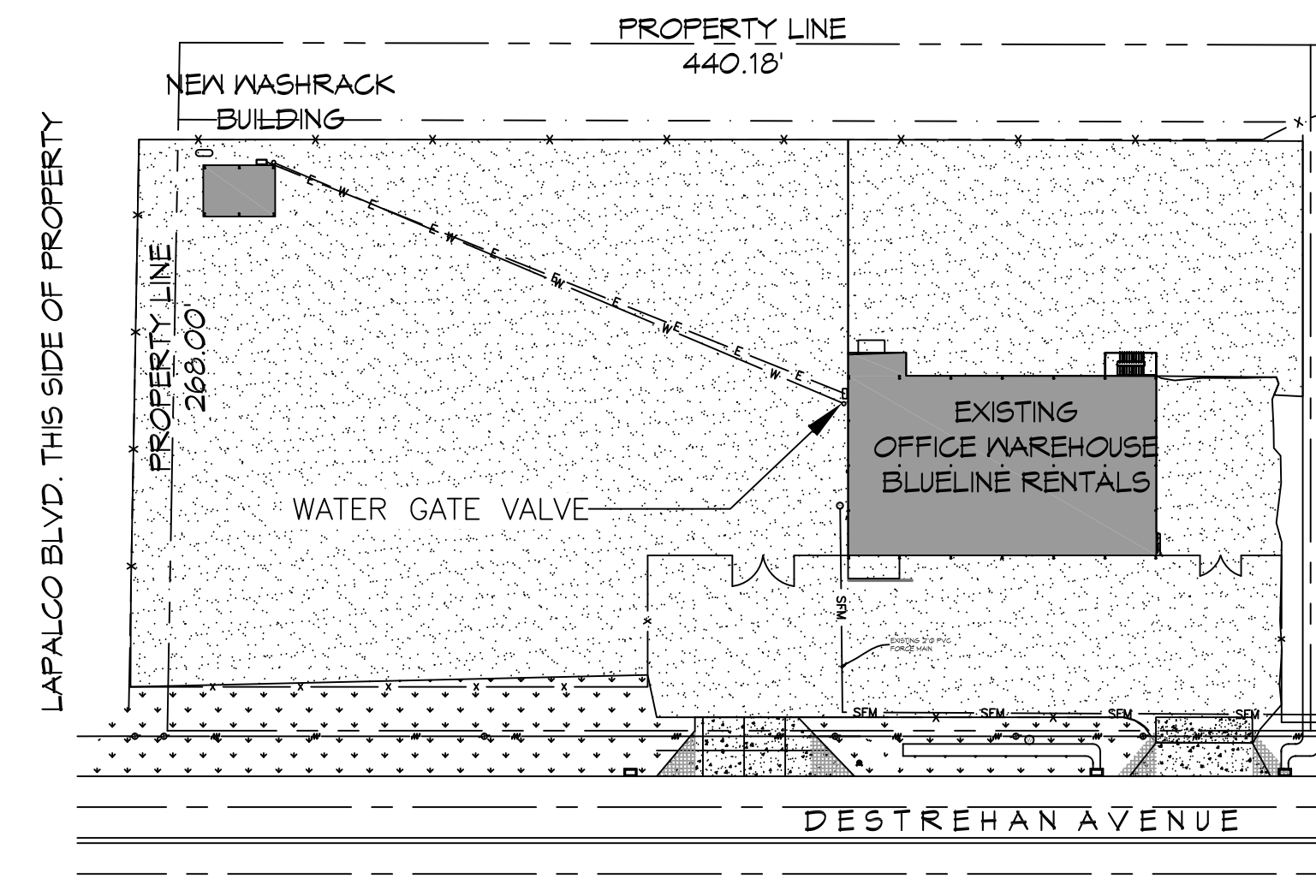
PLUMBING GENERAL NOTES

- SEE MANUFACTURER CUT SHEET FOR EACH ITEM INSTALLED.
- ALL WORK AND MATERIAL SHALL CONFORM STRICTLY TO THE LATEST LOCAL CITY, PARISH, STATE AND NATIONAL GOVERNING CODES.
- PLUMBING LINES SHOWN ARE DRAWN DIAGRAMMATIC IN NATURE AND REPRESENT CONCEPTUAL ROUTING ONLY. CONTRACTOR IS RESPONSIBLE FOR FIELD VERIFICATION OF ALL ACTUAL CONDITIONS.
- PROVIDE ALL LABOR, MATERIAL AND EQUIPMENT FOR A COMPLETE OPERATING SYSTEM. PROVIDE ALL PLUMBING FIXTURES EXCEPT THOSE PROVIDED BY OWNER. THE SYSTEM SHALL INCLUDE WATER PIPING, PRESSURIZED PIPING AND VENT PIPING, INSULATION, WATER HEATER, HANGERS, VALVES, AND PROVIDE ALL SUPPORTS WITHOUT ANY RESTRICTIONS TO VOLUME. CUT AND PATCH AS REQUIRED TO INSTALL PIPES.
- CONTRACTOR IS RESPONSIBLE TO FIELD VERIFY ALL EXISTING UTILITY LOCATIONS, ELEVATIONS, AND INVERTS PRIOR TO COMMENCING ANY WORK. CONTRACTOR SHALL PAY NECESSARY FEES FOR THE UTILITIES CONNECTIONS. CONTRACTOR IS RESPONSIBLE TO SET NEW INVERTS OF SEWAGE AND DRAINAGE PIPES.
- SEWAGE LINES 3" AND SMALLER SHALL BE SLOPED 1/4" PER FOOT AND LINES THAT ARE 4" AND LARGER SHALL BE SLOPED 1/8" PER FOOT.
- TEST ALL PIPING AT REQUIRED PRESSURE.
- ALL PLUMBING SHALL BE CLOSELY COORDINATED WITH STRUCTURAL, MECHANICAL, AND ELECTRICAL SYSTEMS TO ENSURE NO TRADES WILL CONFLICT WITH EACH OTHER.
- DO NOT SCALE DRAWINGS. SEE ARCHITECTURAL DRAWINGS FOR EXACT LOCATIONS OF DOORS, WINDOWS, WALLS, FIXTURES, ETC.
- ALL WATER MAINS AND PIPING NOT SHOWN FOR CLARITY. ALL LOCATIONS SHALL BE FIELD VERIFIED.
- DOMESTIC WATER PIPING AND FITTINGS UNDER SLAB SHALL BE ASTM B88 COPPER WATER TUBE, TYPE K, SOFT ANNEALED. NO JOINTS SHALL BE ALLOWED UNDER THE SLAB.
- DOMESTIC WATER PIPING AND FITTINGS ABOVE THE FINISHED FLOOR SHALL BE ASTM B88 COPPER WATERTUBE, TYPE L, OR CPVC SCHEDULE 40.
- SOIL, WASTE, VENT PIPING AND FITTINGS:
 - ABOVE THE FINISHED FLOOR SHALL BE PVC SCHEDULE 40 OR ABS 5WV.
 - GRAVITY PIPE FLOWING BELOW THE SLAB SHALL BE PVC SDR-35.
 - GRAVITY PIPE FLOWING BELOW THE NATURAL GRADE SHALL BE SDR-35.
 - PVC PRESSURE PIPE SHALL BE ANWA C900 CLASS 150 WITH GASKETED JOINTS.
- ALL WATER PIPING AND FITTINGS ABOVE THE GRADE SHALL BE INSULATED WITH 1" THICK FIBERGLASS INSULATION AND JACKET. INSTALL HANGERS AND SUPPORTS OUTSIDE OF INSULATION TO ALLOW CONTROLLED THERMAL MOVEMENT OF PIPING SYSTEMS, TO PERMIT FREEDOM OF MOVEMENT BETWEEN PIPE ANCHORS, AND TO FACILITATE ACTION OF EXPANSION JOINTS, EXPANSION LOOPS, EXPANSION BENDS, AND SIMILAR UNITS. ALL EXTERIOR WATER FITTINGS SHALL BE FREEZE PROOF.
- ALL ELECTRICAL, MECHANICAL AND PLUMBING ELEMENTS PENETRATING FIRE PARTITIONS SHALL BE FIRE CAULKED. (PENETRATIONS THROUGH RATED CONSTRUCTION SHALL BE SEALED WITH A MATERIAL CAPABLE OF PREVENTING THE PASSAGE OF FLAMES AND HOT GASES WHEN TESTED IN ACCORDANCE WITH ASTM-E814.)
- SEE ROOF PLAN FOR PLUMBING ROOF PENETRATIONS, ROUTE VENT PIPES IN ATTIC AS NECESSARY.
- ALL VENTS THROUGH ROOF (VTR) SHALL BE LOCATED A MINIMUM OF 10'-0" FROM ANY MECHANICAL OR NATURAL AIR INTAKE.

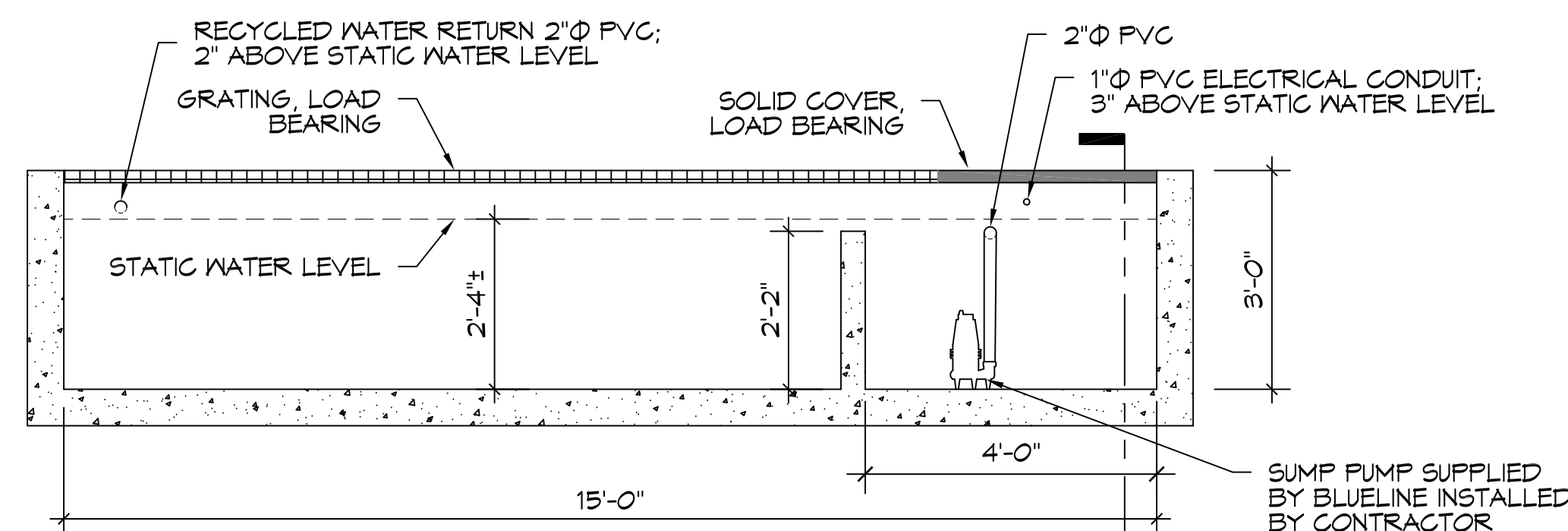
PLUMBING LEGEND



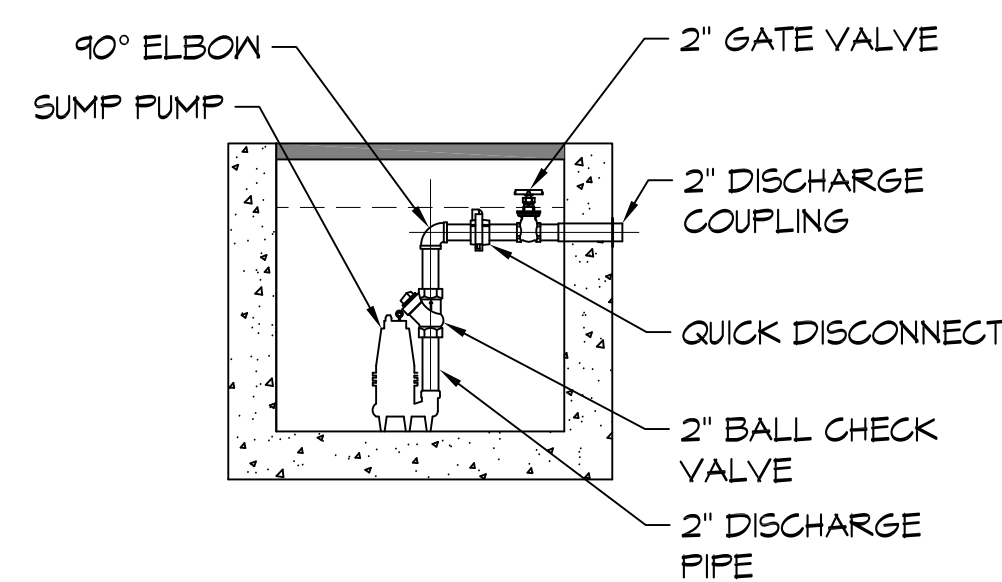
3 PIPE TRENCH DETAIL
SCALE: 3/8" = 1' - 0"



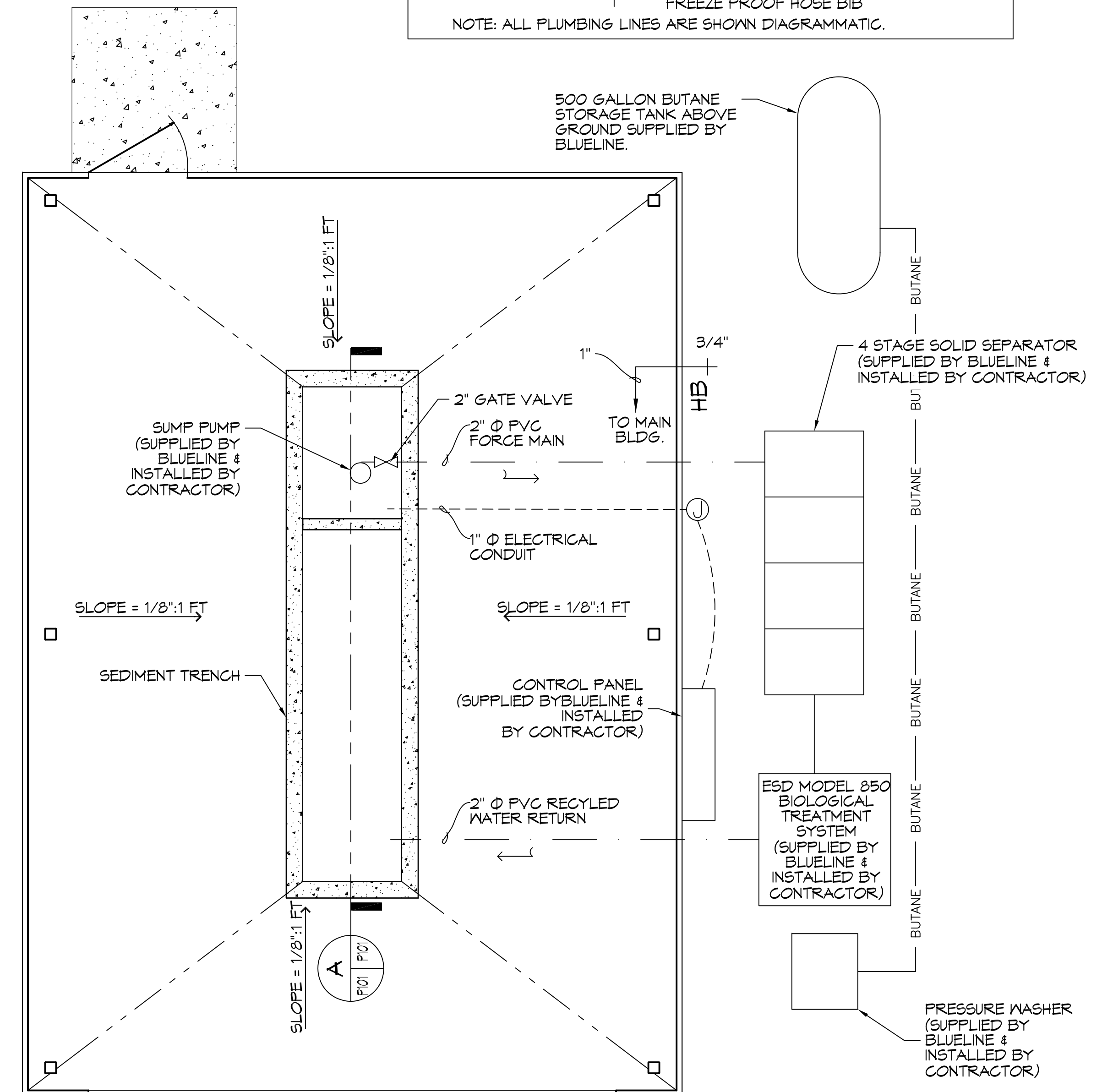
2 SITE PLAN
SCALE: 1/64" = 1' - 0"



A SEDIMENT TRENCH SECTION
SCALE: 1/2" = 1' - 0"



B SUMP PUMP SECTION
SCALE: 1/2" = 1' - 0"



1 PLUMBING PLAN
SCALE: 3/8" = 1' - 0"

NOTE: THIS WASH RACK SYSTEM IS A CLOSED LOOP RECYCLE SYSTEM. WASTE SHALL BE HAULED OFF BY CERTIFIED HAULER.

DAMMON ENGINEERING, INC.
554 Old Spanish Trail Slidell, LA 70458
PH: 985.649.5832
www.dammonengineering.com
info@dammonengineering.com

Chief Engineer: Brian Wistich, PE
554 Old Spanish Trail Slidell, LA 70458

DATE	REVISIONS	#	DESCRIPTION

SEAL:

WASH RACK BLUELINE RENTALS

2480 DESTREHAN AVENUE
HARVEY, LOUISIANA 70059
JOB No: 2219 DATE: 13 APRIL 2016
DRAWN BY: K-K
CHECKED BY: DFP

SHEET TITLE: PLUMBING PLAN
DRAWING NUMBER: **P101**
SHEET No: 6 of 6