

## DESCRIPTION

BCLED is a versatile LED wall or ceiling mount series which can be used in a broad range of commercial and industrial applications. This series provides customers with a high quality luminaire utilizing the latest LED, solid state lighting and electronic driver technology for optimal performance and maximized energy efficiency. With a traditional opal white lens, the BCLED produces a 180 degree, uniform light distribution that is an ideal choice for general purpose lighting where customers want to move away from traditional fluorescent solutions.

<b>Catalog #</b>		<b>Type</b>
<b>Project</b>		
<b>Comments</b>		<b>Date</b>
<b>Prepared by</b>		

## SPECIFICATION FEATURES

### Construction

Housing consists of die formed cold rolled steel with decorative white opaque injection molded end plates. Reflector/channel wireway cover secured by fasteners for easy wireway access. Channel back has numerous KO's for easy installation.

### Controls

Equipped standard with a 0-10V continuous dimming driver that works with any standard 0-10V control/dimmer. Dimming range is 10% to 100%; varies by control device. Combine with energy saving products like occupancy sensors, day lighting controls, and lighting relay panels to maximize energy savings.

### Electrical

Long-Life LED system coupled with electrical driver to deliver optimal performance. LED's available in 3000K, 3500K or 4000K with a typical CRI 85. Projected life is 60,000 hours at 70% lumen output. Electronic drivers are available for 120-277V applications. A 0-10V dimming driver is standard.

### Emergency Battery Pack Option

Optional 120V-277V integral emergency battery pack is available in 7-watts or 14-watts to meet critical life-safety lighting requirements. The 90-minute batteries provide constant power to the LED system, ensuring code-compliance. A test switch/indicator button can be tested safely from the ground using a laser pointer, while the patented EZ Key prevents accidental discharge of the battery during construction. Emergency/generator transfer options available – see ordering information for details.

### Finish

Highly reflective post painted finish (PAF) standard offering customers the optimal finish and handling. Additionally, each housing is treated with multistage iron phosphate pretreatment, ensuring maximum bonding and rust inhibitor.

### Shielding

Specially developed LED lens blend allows this product series to offer optimal light out and providing smooth even illumination with no pixilation. Lenses are designed from smooth opal white acrylic and provide 180° uniform light distribution (Uplight, Frontal & Downlight). Lens is securely held in place by removable decorative injection molded white end plates that can be easily removed for installation and maintenance.

### Installation

Fixture may be surface (wall or ceiling) and suspended mounted. See accessories below for ordering information.

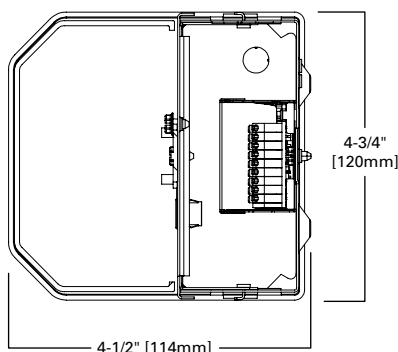
### Compliance

Modules are UL recognized components and indoor luminaires are cULus listed for up to 40°C ambient environments, RoHS compliant, and LED modules comply with IESNA LM-79 and LM-80 standards. Suitable for use in clothes closets when installed in accordance with the NEC 410.16 spacing requirements.

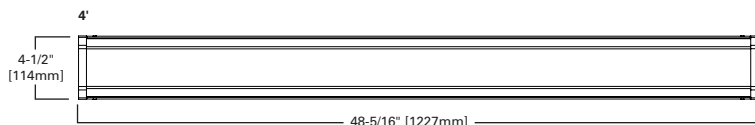
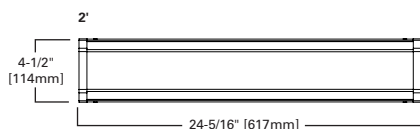


## BCLED

Wall Bracket LED



## MOUNTING DATA



## WATTAGE

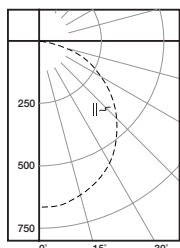
Length	Lumens Package	Watts
2 ft.	800	10W
2 ft.	1600	19W
2 ft.	2000	23W
2 ft.	2400	25W
2 ft.	2800	29W
4 ft.	2000	22W
4 ft.	2800	29W
4 ft.	3200	32W
4 ft.	3600	37W
4 ft.	4000	42W
4 ft.	4400	47W
4 ft.	4800	51W

## LINEAR DISCONNECT

Safe and convenient means of disconnecting power



PHOTOMETRICS

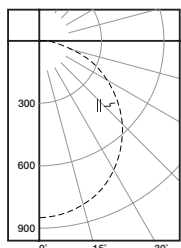


**4BCLED-LD4-32SL-F-UNV-L835-CD1-U**

Electronic Driver  
Linear LED 3500K  
Spacing criterion:  
(II) 1.3 x mounting  
height, (⊥) 1.4 x  
mounting height  
Lumens: 3171  
Input Watts: 32.5W  
Efficacy: 97.6 lm/W  
Test Report:  
4BCLED-LD4-32SL-  
F-UNV-L835-CD1-U.  
IES

**Candlepower**

Angle	Along II	45°	Across ⊥
0	664	664	664
5	667	661	665
10	658	658	668
15	642	652	668
20	620	642	664
25	593	635	657
30	561	609	643
35	525	585	626
40	483	557	605
45	439	527	585
50	390	493	560
55	340	459	533
60	286	421	502
65	231	381	464
70	172	339	425
75	115	294	382
80	61	251	343
85	18	213	305
90	1	188	280



**4BCLED-LD4-40SL-F-UNV-L835-CD1-U**

Electronic Driver  
Linear LED 3500K  
Spacing criterion:  
(II) 1.3 x mounting  
height, (⊥) 1.4 x  
mounting height  
Lumens: 3990  
Input Watts: 42.5W  
Efficacy: 93.9 lm/W  
Test Report:  
4BCLED-LD4-40SL-  
F-UNV-L835-CD1-U.  
IES

**Candlepower**

Angle	Along II	45°	Across ⊥
0	836	836	836
5	839	831	837
10	827	829	841
15	808	821	841
20	781	808	837
25	745	789	826
30	706	766	809
35	659	736	787
40	608	702	763
45	552	662	737
50	491	621	705
55	428	576	670
60	361	531	630
65	290	480	585
70	217	426	534
75	145	371	482
80	77	315	431
85	23	268	384
90	0	237	352

**Coefficients of Utilization**

rc rw RCR	Effective floor cavity reflectance 20%																				
	80%				70%				50%				30%				10%				0%
	70	50	30	10	70	50	30	10	50	30	10	50	30	10	50	30	10	50	30	10	0
0	115	115	115	115	110	110	110	110	101	101	101	92	92	92	85	85	85	81			
1	102	96	91	86	97	92	87	83	84	80	77	77	74	71	70	68	66	62			
2	91	82	74	68	87	78	71	65	72	66	61	66	61	57	60	56	53	50			
3	83	71	62	55	78	68	60	53	62	56	50	57	51	47	52	48	44	41			
4	75	62	53	46	71	60	51	45	55	48	42	50	44	39	46	41	37	34			
5	69	55	46	39	65	53	44	38	49	41	36	45	38	34	41	36	31	29			
6	63	50	40	34	60	48	39	33	44	36	31	40	34	29	37	32	27	25			
7	59	45	36	29	56	43	34	29	40	32	27	37	30	26	34	28	24	22			
8	54	41	32	26	52	39	31	25	36	29	24	33	27	23	31	25	21	19			
9	51	37	29	23	48	36	28	22	33	26	21	31	25	20	28	23	19	17			
10	47	34	26	21	45	33	25	20	31	24	19	28	22	18	26	21	17	15			

**Zonal Lumen Summary**

Zone	Lumens	% Fixture
0-30	538	17.0
0-40	902	28.5
0-60	1707	53.8
0-90	2572	81.1
0-180	3171	100.0

**Coefficients of Utilization**

rc rw RCR	Effective floor cavity reflectance 20%																				
	80%				70%				50%				30%				10%				0%
	70	50	30	10	70	50	30	10	50	30	10	50	30	10	50	30	10	50	30	10	0
0	115	115	115	115	110	110	110	110	101	101	101	92	92	92	85	85	85	81			
1	102	96	91	86	97	92	87	83	84	80	77	77	74	71	70	68	66	62			
2	91	82	74	68	87	78	71	65	72	66	61	66	61	57	60	56	53	50			
3	83	71	62	55	78	68	60	53	62	56	50	57	51	47	52	48	44	41			
4	75	62	53	46	71	60	51	45	55	48	42	50	44	39	46	41	37	34			
5	69	55	46	39	65	53	44	38	49	41	36	45	38	34	41	36	32	29			
6	63	50	40	34	60	48	39	33	44	36	31	40	34	29	37	32	27	25			
7	59	45	36	29	56	43	34	29	40	32	27	37	30	26	34	28	24	22			
8	54	41	32	26	52	39	31	25	36	29	24	33	27	23	31	25	21	19			
9	51	37	29	23	48	36	28	22	33	26	21	31	25	20	28	23	19	17			
10	47	34	26	21	45	33	25	20	31	24	19	28	22	18	26	21	17	15			

**Zonal Lumen Summary**

Zone	Lumens	% Fixture
0-30	677	17.0
0-40	1136	28.5
0-60	2148	53.8
0-90	3237	81.1
0-180	3990	100.0

ORDERING INFORMATION

SAMPLE NUMBER: 4BCLED-LD4-40SL-F-UNV-L835-CD1-U

<p><b>Rating</b> [Blank]=Standard</p>	<p><b>Lamp Type</b> LD4=LED 4.0</p>	<p><b>Voltage</b> <sup>(1)</sup> 347V=347 Volt 480V=480 Volt UNV=Universal Voltage 120-277 <sup>(2)</sup> UNC=Universal Voltage 347/480 <sup>(7)</sup></p>	<p><b>Driver Type</b> CD=0-10V Dimming Driver SD=Step-dim (Bi Level) <sup>(7),(8)</sup> 5LTD=5th Light (DALI) Driver <sup>(7),(8)</sup></p>	<p><b>Options</b> CO=Convenience Outlet (120V only) PS1=Pull Switch (1 Circuit)</p>	<p><b>Packaging</b> U=Unit Pack</p>
<p><b>Width</b> 2=2 ft. Width 4=4 ft. Width</p>	<p><b>LED Lumens Output</b> <sup>(3)</sup> 8SL=800 <sup>(5)</sup> 16SL=1600 <sup>(5)</sup> 20SL=2000 24HL=2400 <sup>(5)</sup> 28HL=2800 <sup>(5)</sup> 28SL=2800 <sup>(7)</sup> 32SL=3200 36SL=3600 40SL=4000 44HL=4400 48HL=4800</p>	<p><b>Options</b> GL=Single Element Fuse DL=Double Element Fuse <b>Emergency</b> EL7W=7-watt, 120V-277V emergency battery pack installed <sup>(4),(6)</sup> EL14W=14-watt 120V-277V emergency battery pack installed <sup>(4),(6)</sup> GTR2=Bodine Generator Transfer Relay <sup>(9)</sup> ETR2=lota Emergency Transfer Relay <sup>(9)</sup> ETRD=lota Emergency Transfer Relay with dimming control <sup>(9)</sup> <b>CCT</b> L830=3000K L835=3500K L840=4000K</p>	<p><b>Number of Drivers</b> 1=1 Driver</p>	<p><b>ACCESSORIES</b> AYC-Chain/Set=36" Chain Hanger (Use 1 Set Per Fixture) SCF=Fixed Stem Set (Specify Length) SCS=Swivel Stem Set (Specify Length) SCA=Adjustable 48" Stem Set A1B/Spacer-U=Spacer 1-1/2" to 2-1/2" from ceiling (Use 2 per fixture)</p>	
<p><b>Series</b> BCLED=LED Wall Bracket</p>	<p><b>Shielding</b> F=Frost Acrylic (standard)</p>				

NOTES: <sup>(1)</sup> Products also available in non-US voltages and frequencies for international market. <sup>(2)</sup> Not available when specifying emergencies, voltage must be specific. <sup>(3)</sup> Nominal lumen output. <sup>(4)</sup> With integral test switch/indicator/laser test. For approximate delivered lumens multiply the lumens per watt of the desired fixture by the wattage of the emergency battery pack (100 lm/W x 7=700 lumens). IES-format photometry for luminaire under emergency operation available. <sup>(5)</sup> 2 ft. model. <sup>(6)</sup> No integral emergency for 2 ft. models. <sup>(7)</sup> Only available in 4 ft. models. <sup>(8)</sup> Step dim and DALI only available in 3600, 4000, 4400 and 4800 lumen packages. <sup>(9)</sup> Used to bypass local control during outage. Must be used in conjunction with UL 1008 device (provided by others). GTR2 and ETR2 options include 2 relays on fixtures with dimming drivers. ETRD option only requires one relay when used on a dimming fixture. Must specify voltage as 120V or 277V when ordering these devices.

Specifications & dimensions subject to change without notice. Consult your Eaton Representative for availability and ordering information.