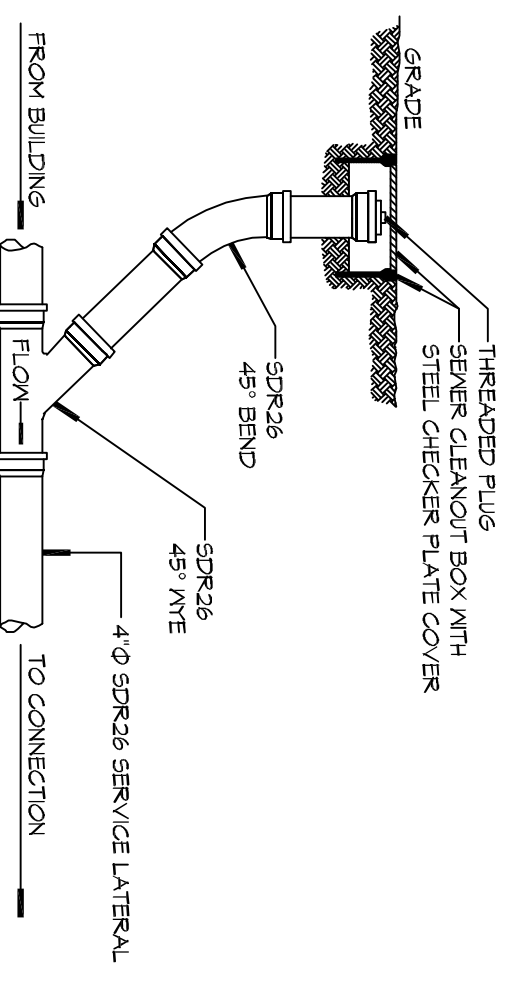
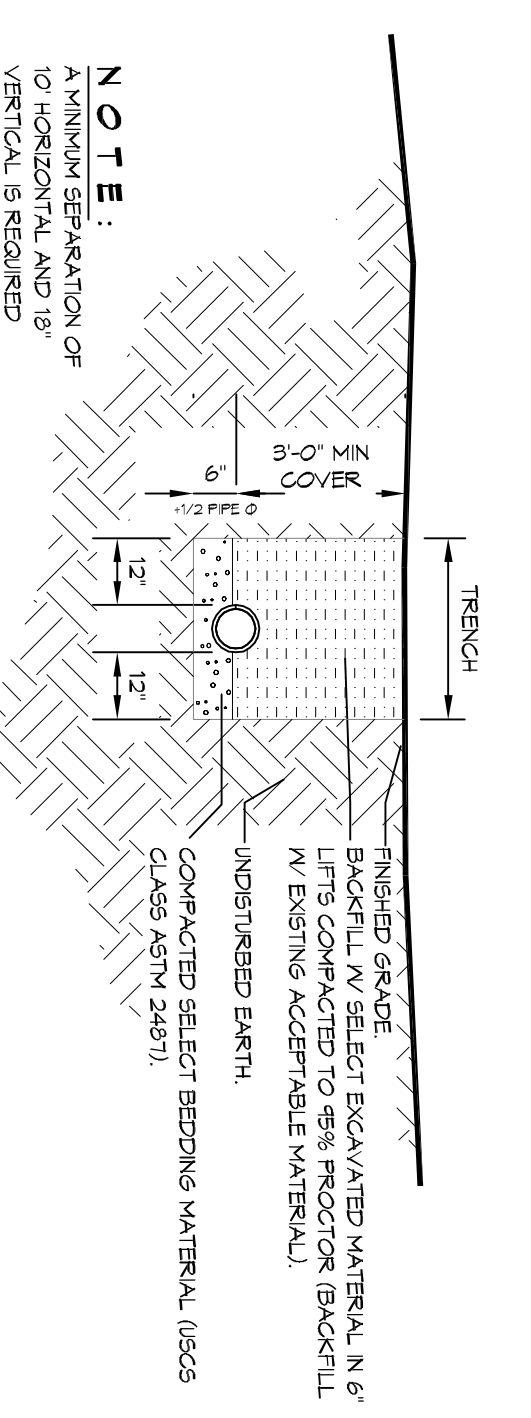


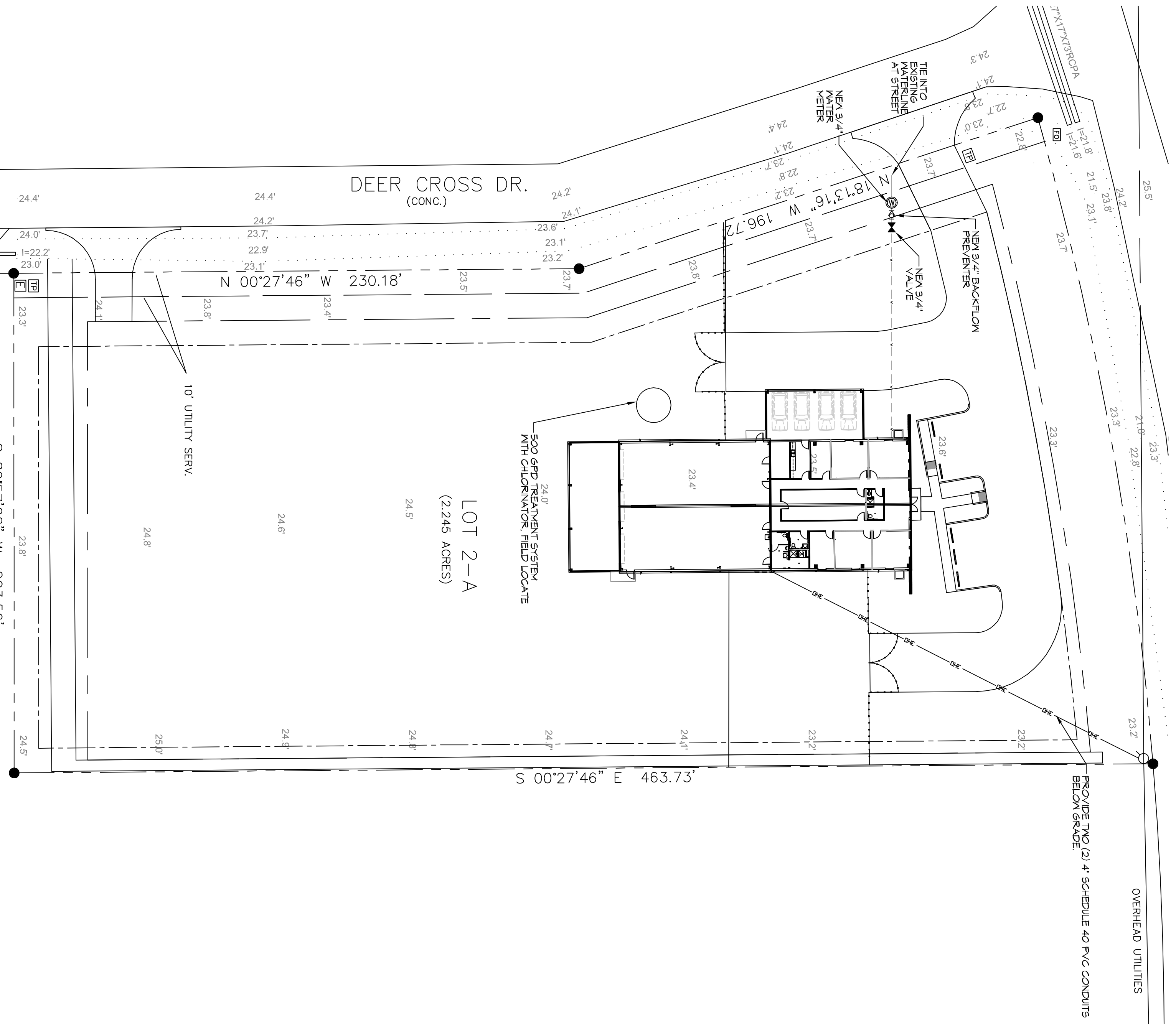
2D DETAIL
SCALE: N.T.S.
TYPICAL PIPE BEDDING



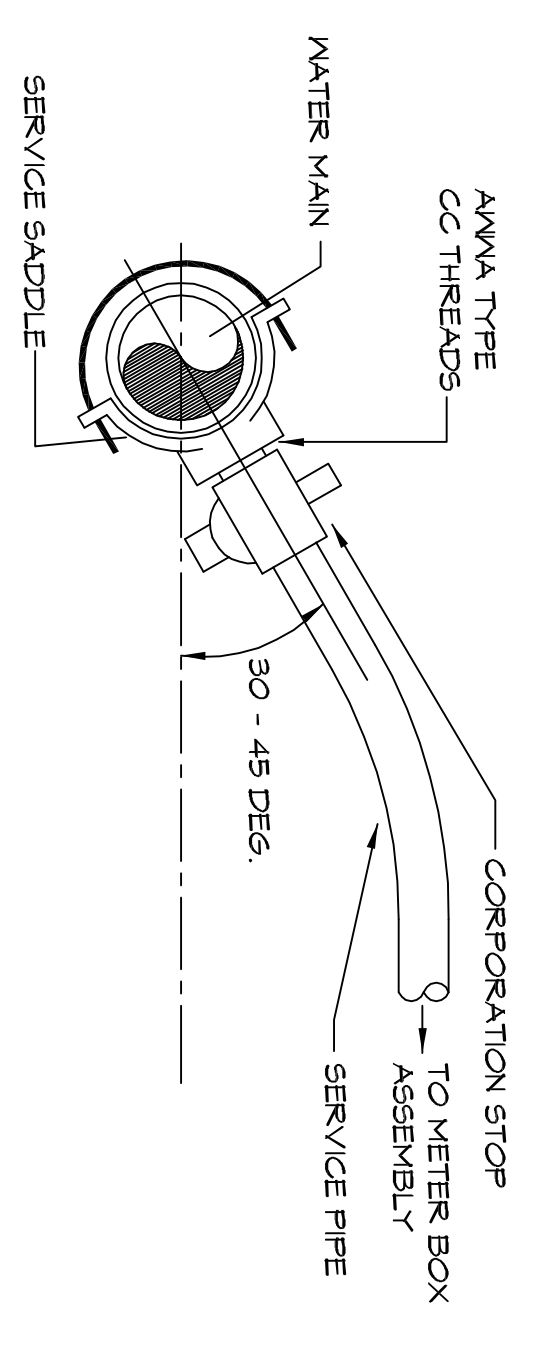
3D DETAIL
SCALE: N.T.S.
SEWER CLEAN OUT



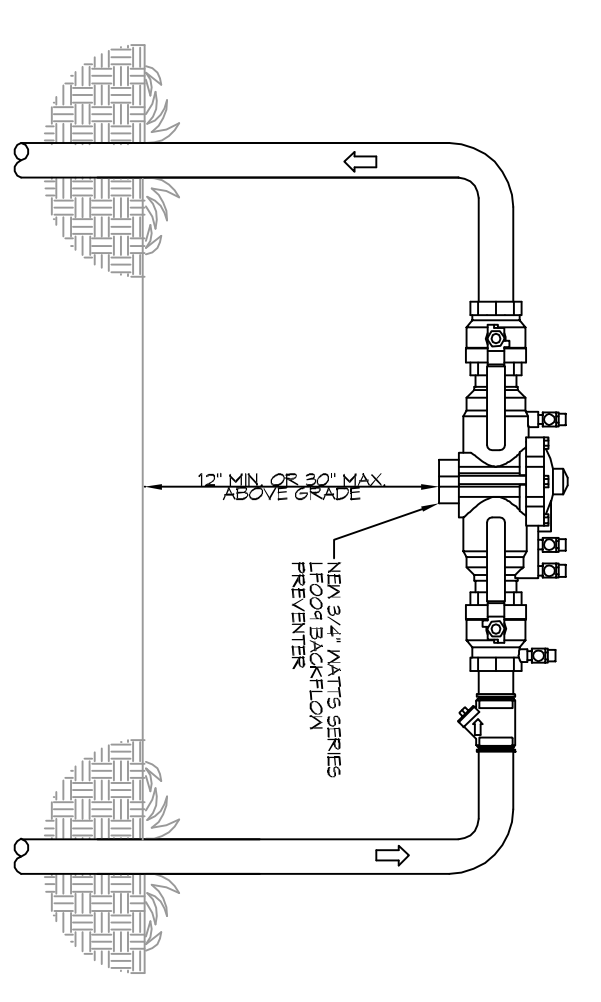
4D DETAIL
SCALE: N.T.S.
SEWER AND WATER SEPARATION



1 SITE UTILITY PLAN
SCALE: 1" = 30'-0"



WATER SERVICE CONNECTION
SCALE: N.T.S.



TYPICAL RISER DETAIL
SCALE: N.T.S.

GENERAL SITE NOTES

1. PROVIDE ALL LABOR, MATERIAL, AND EQUIPMENT FOR A COMPLETE OPERATING SYSTEM. CONTRACTOR IS TO FIELD VERIFY ALL EXISTING UTILITY LOCATIONS, ELEVATIONS, AND INVERTS PRIOR TO COMMENCING ANY WORK. CONTRACTOR SHALL PAY NECESSARY FEES FOR THE UTILITIES CONNECTIONS.
2. CONTRACTOR TO BE RESPONSIBLE TO VERIFY ANY INVERTS AND SET NEW INVERTS OF SEWAGE AND DRAINAGE PIPES.
3. ALL WORK AND MATERIAL TO COMPLY STRICTLY TO THE LATEST LOCAL, CITY, PARISH, STATE, AND NATIONAL GOVERNING CODES.
4. SEWAGE LINES 3" AND SMALLER SHALL BE SLOPED 1/4" PER FOOT AND LINES THAT ARE 4" AND LARGER SHALL BE SLOPED 1/8" PER FOOT.
10. CONTRACTOR SHALL CONTACT LOUISIANA ONE CALL PRIOR TO COMMENCEMENT OF SITE EXCAVATION.

SITE UTILITIES LEGEND

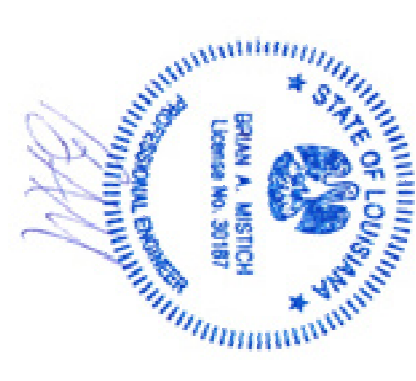
- v — v — NEW WATER LINE
- — — — — NEW ELECTRICAL LINE

DAMMON ENGINEERING, INC.
LOUISIANA & MISSISSIPPI

Chief Engineer: Brian Mistich, PE
554 Old Spanish Trail
Slidell, LA 70458

www.dammonengineering.com
info@dammonengineering.com
PH: 985.649.5832

REVISIONS		DATE
#	DESCRIPTION	



NEW OFFICE WAREHOUSE

NEIGLETT CORP.

LA, HWY 1085 DEER CROSS DRIVE
MADISONVILLE, LA 70447

JOB No: 2383 DATE: 7-25-2019

DRAWN BY: GKD CHECKED BY: BAM

30 DAY WARRANTY

6100

DRAWING NUMBER:

SHEET TITLE:
SITE UTILITY PLAN

SHEET NO. 1 OF 6