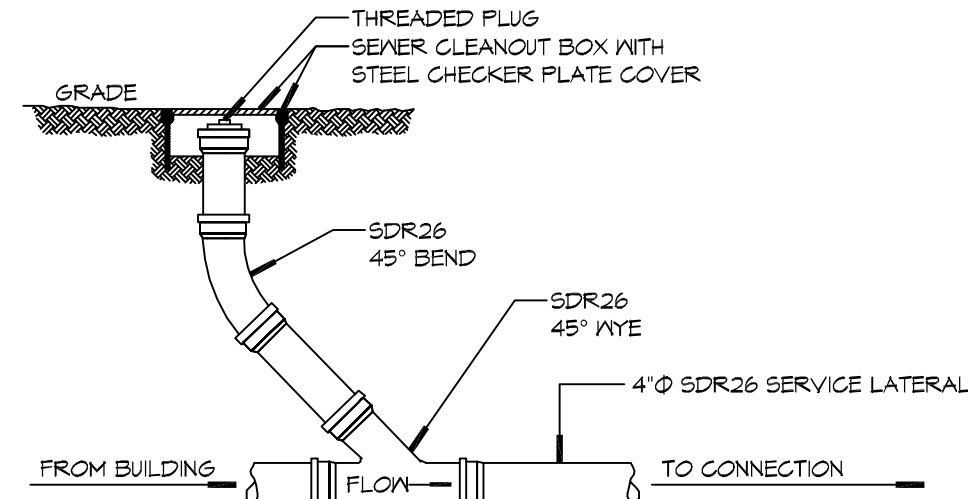
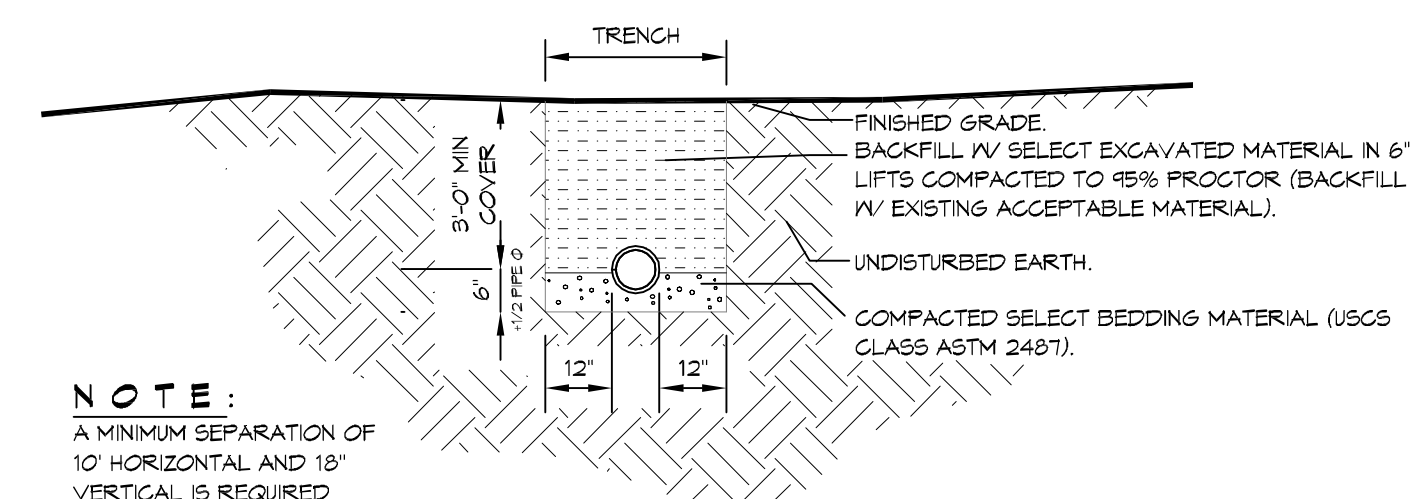


2 DETAIL
SCALE: N.T.S. TYPICAL PIPE BEDDING



3 DETAIL
SCALE: N.T.S. SEWER CLEAN OUT



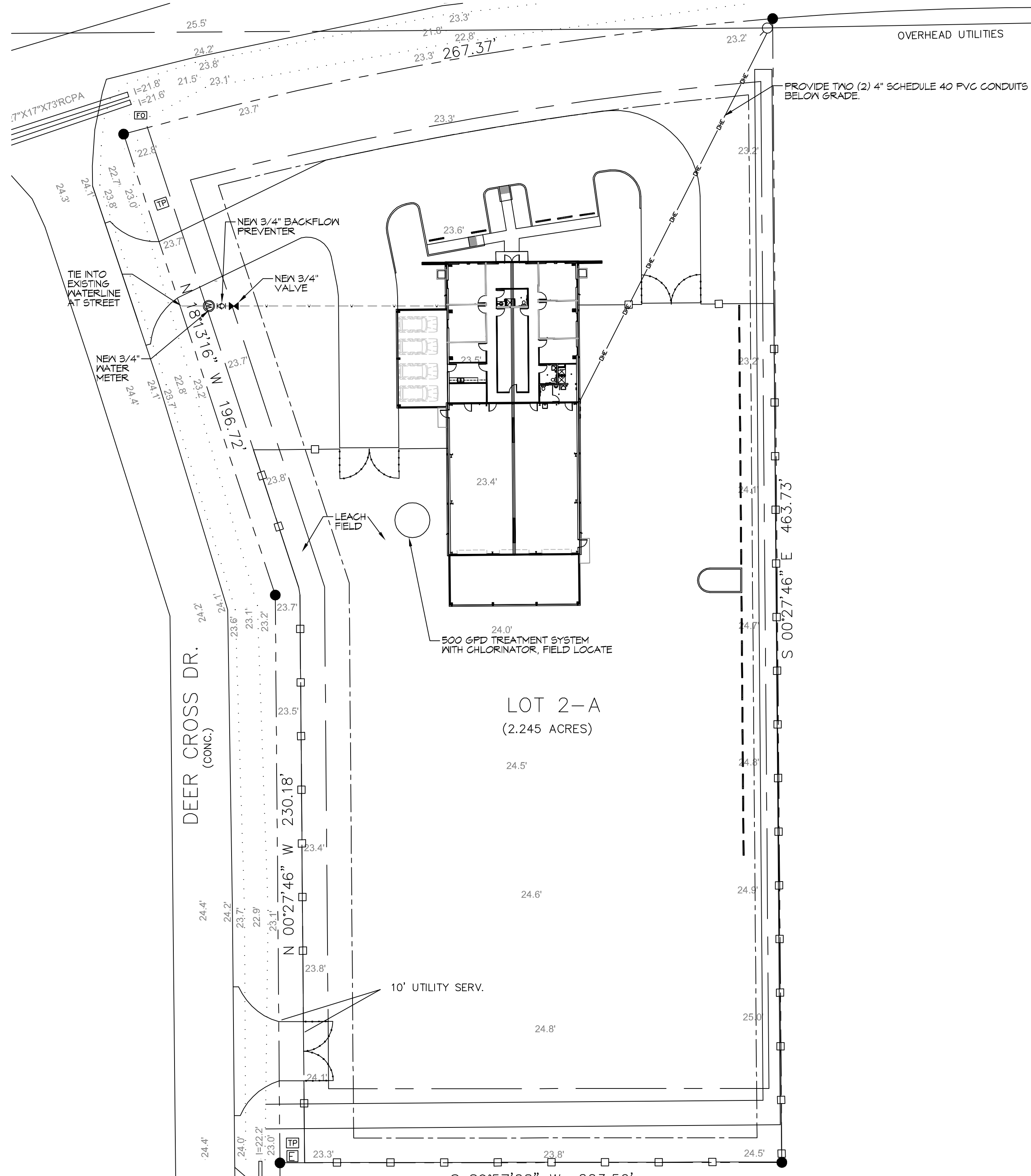
4 DETAIL
SCALE: N.T.S. SEWER AND WATER SEPERATION

GENERAL SITE NOTES

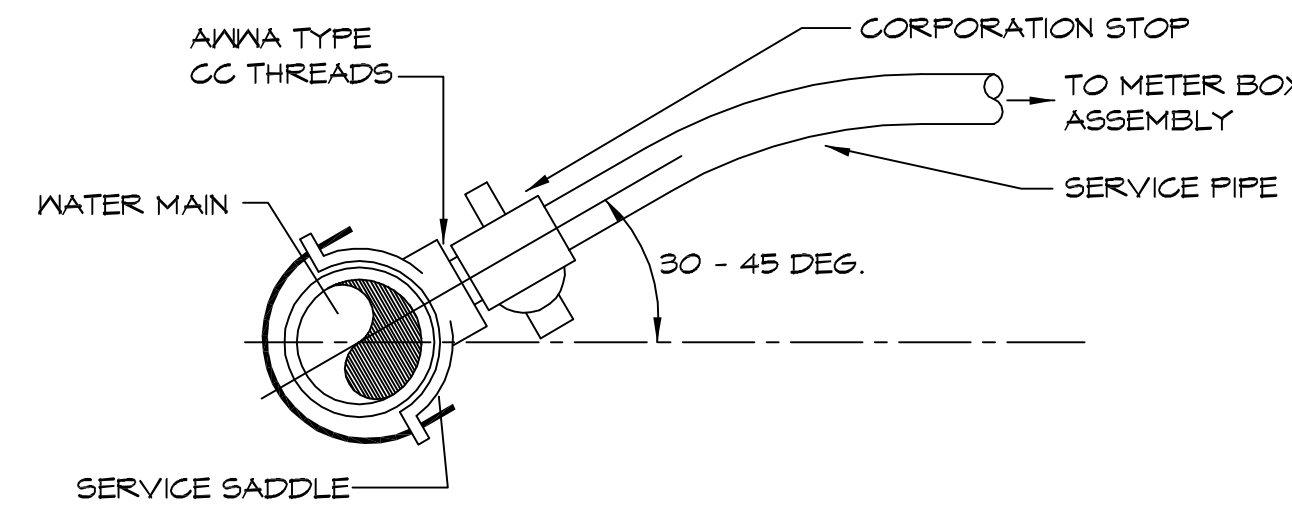
1. PROVIDE ALL LABOR, MATERIAL AND EQUIPMENT FOR A COMPLETE OPERATING SYSTEM. CONTRACTOR IS TO FIELD VERIFY ALL EXISTING UTILITY LOCATIONS, ELEVATIONS, AND INVERTS PRIOR TO COMMENCING ANY WORK. CONTRACTOR SHALL PAY NECESSARY FEES FOR THE UTILITIES CONNECTIONS.
2. CONTRACTOR TO BE RESPONSIBLE TO VERIFY ANY INVERTS AND SET NEW INVERTS OF SEWAGE AND DRAINAGE PIPES.
3. ALL WORK AND MATERIAL TO COMPLY STRICTLY TO THE LATEST LOCAL CITY PARISH, STATE, AND NATIONAL GOVERNING CODES.
4. SEWAGE LINES 3" AND SMALLER SHALL BE SLOPED 1/4" PER FOOT AND LINES THAT ARE 4" AND LARGER SHALL BE SLOPED 1/8" PER FOOT.
10. CONTRACTOR SHALL CONTACT LOUISIANA ONE CALL PRIOR TO COMMENCEMENT OF SITE EXCAVATION.

SITE UTILITIES LEGEND

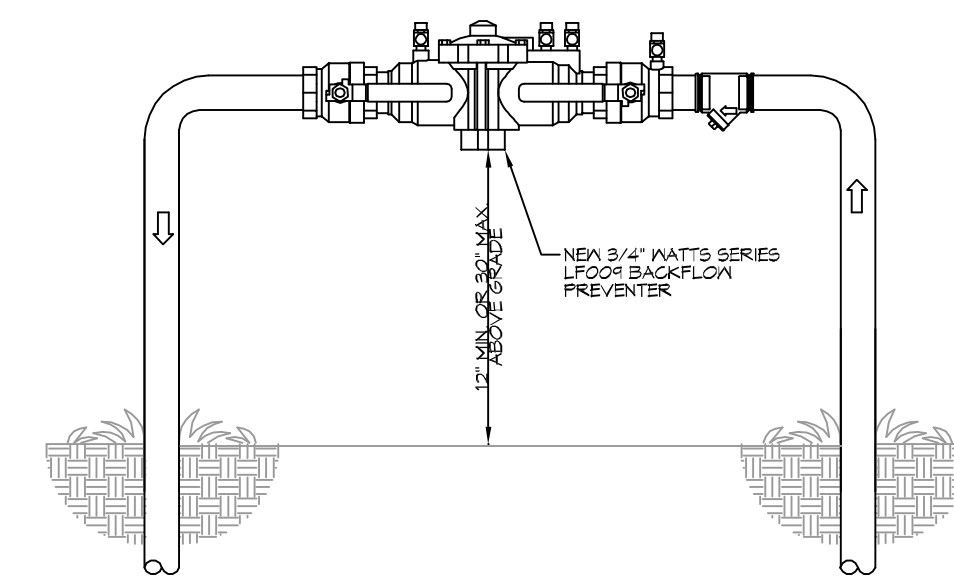
- - - - - NEW WATER LINE
- - - - - NEW ELECTRICAL LINE



1 SITE UTILITY PLAN
SCALE: 1" = 30'-0"



5 WATER SERVICE CONNECTION
SCALE: N.T.S. TYPICAL



6 TYPICAL RISER DETAIL
SCALE: N.T.S. TYPICAL

CONTRACTOR SHALL CONTACT TAMMANY UTILITIES, (TU) @ 985-8493-1717 REGARDING WATER AND SEWERAGE AVAILABILITY. WATER COULD BE AVAILABLE THROUGH A BORE. SEWERAGE MAY BE AVAILABLE WITH THE INSTALLATION OF A LIFT STATION. IF TU DETERMINES WATER AND OR SEWERAGE IS NOT AVAILABLE, YOU MUST CONTACT THIS OFFICE FOR FURTHER DISCUSSION AND OR INSTRUCTIONS. GRETCHEN SEYMOUR 09-06-19

DAMMON ENGINEERING, INC.
LOUISIANA & MISSISSIPPI
www.dammonengineering.com
info@dammonengineering.com
PH: 985.677.1828
Chief Engineer: Brian Mestich, PE
356 Old Spanish Trail
Shreveport, LA 71208

REVISIONS	DATE
#	DESCRIPTION

SEAL:

NEW OFFICE WAREHOUSE
ZEIGLER, CO.
SHEET TITLE: SITE UTILITY PLAN
DRAWING NUMBER: **C100**
SHEET No: 1 of 2