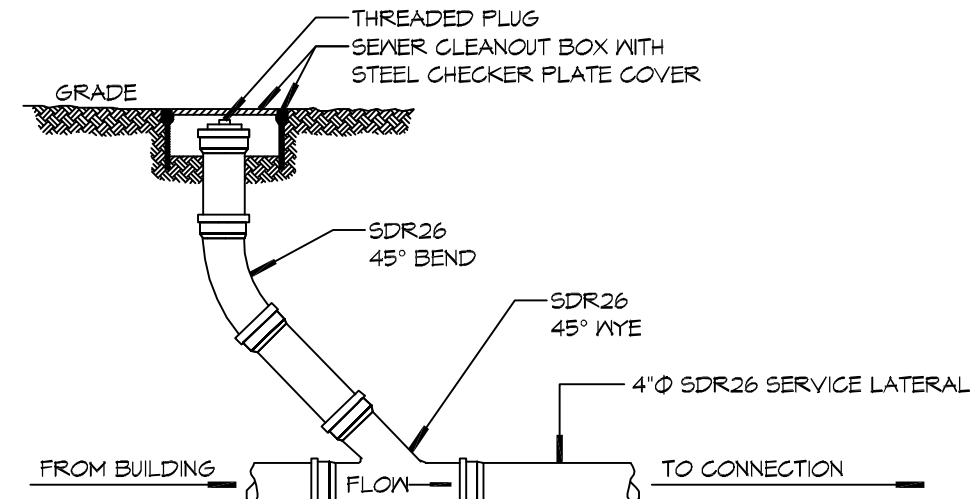
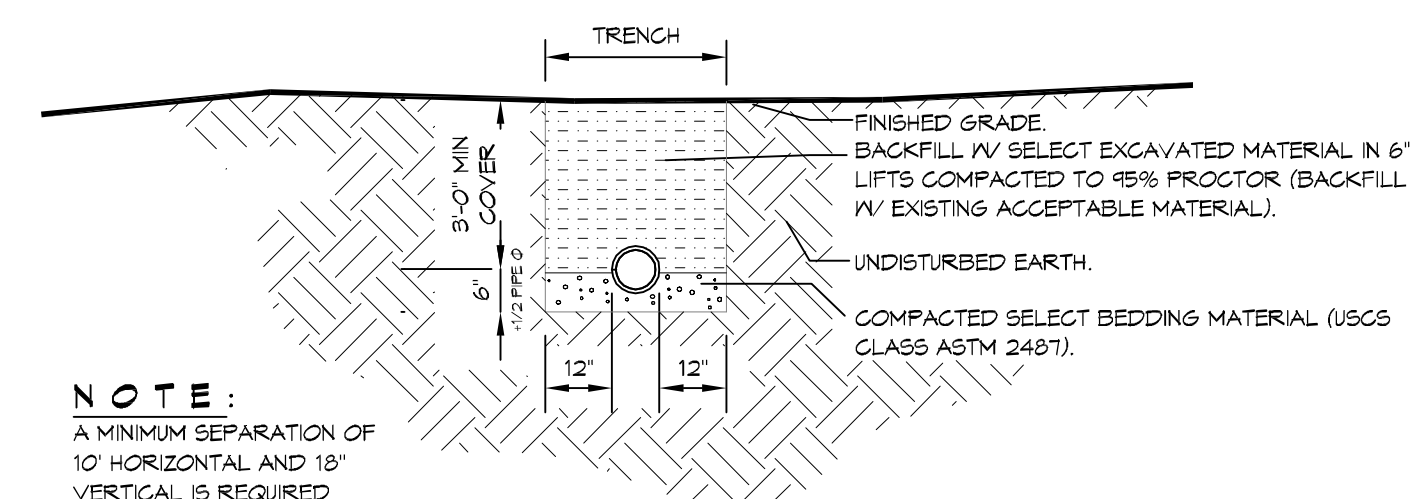


2 DETAIL
SCALE: N.T.S. TYPICAL PIPE BEDDING



3 DETAIL
SCALE: N.T.S. SEWER CLEAN OUT



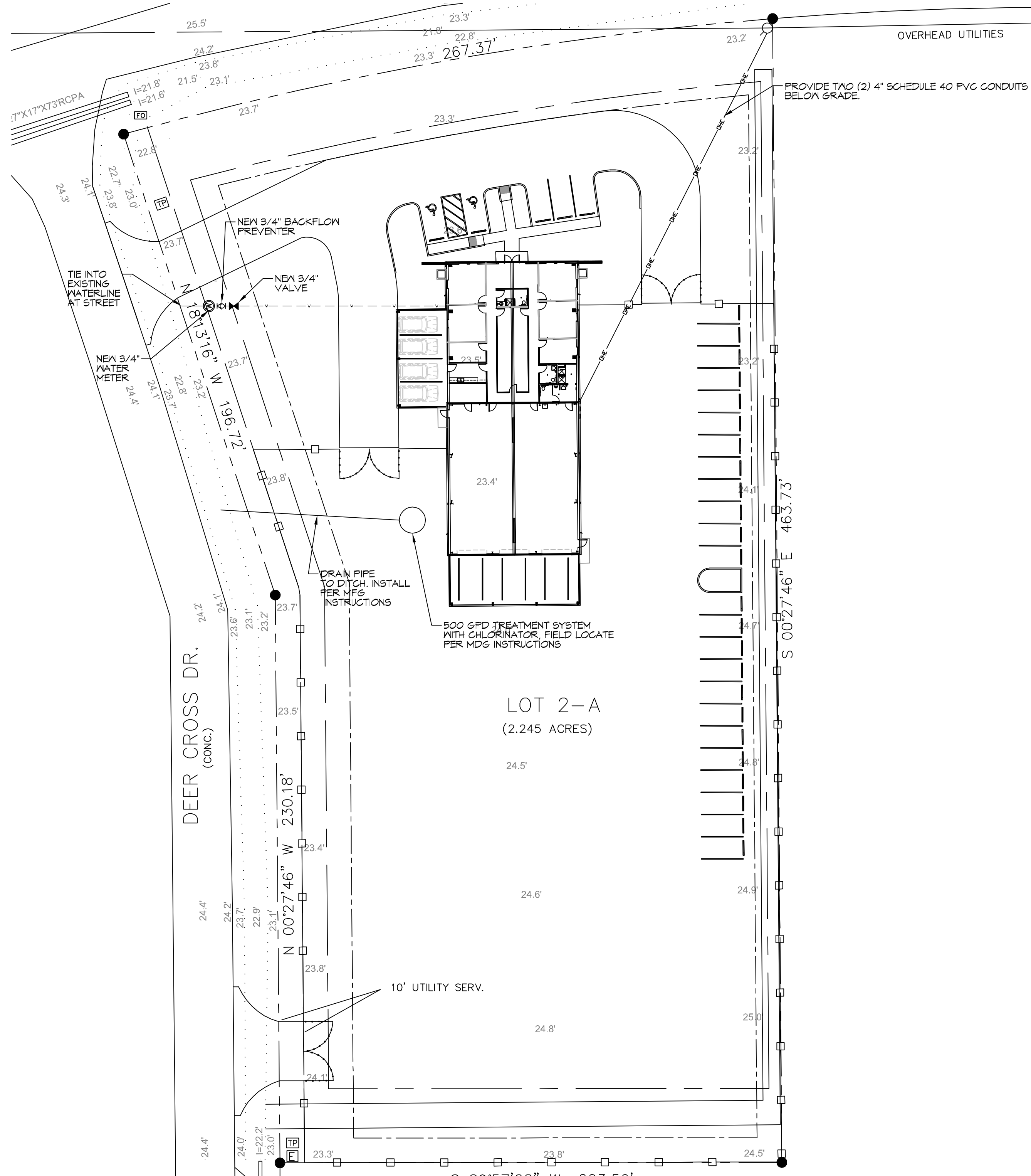
4 DETAIL
SCALE: N.T.S. SEWER AND WATER SEPERATION

GENERAL SITE NOTES

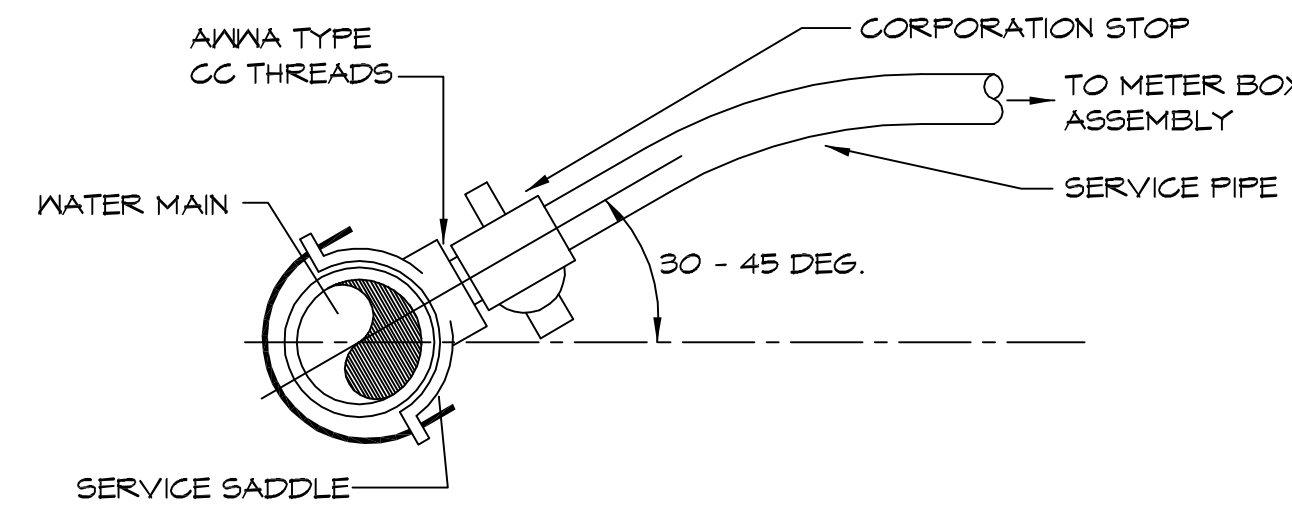
1. PROVIDE ALL LABOR, MATERIAL AND EQUIPMENT FOR A COMPLETE OPERATING SYSTEM. CONTRACTOR IS TO FIELD VERIFY ALL EXISTING UTILITY LOCATIONS, ELEVATIONS, AND INVERTS PRIOR TO COMMENCING ANY WORK. CONTRACTOR SHALL PAY NECESSARY FEES FOR THE UTILITIES CONNECTIONS.
2. CONTRACTOR TO BE RESPONSIBLE TO VERIFY ANY INVERTS AND SET NEW INVERTS OF SEWAGE AND DRAINAGE PIPES.
3. ALL WORK AND MATERIAL TO COMPLY STRICTLY TO THE LATEST LOCAL CITY PARISH, STATE, AND NATIONAL GOVERNING CODES.
4. SEWAGE LINES 3" AND SMALLER SHALL BE SLOPED 1/4" PER FOOT AND LINES THAT ARE 4" AND LARGER SHALL BE SLOPED 1/8" PER FOOT.
10. CONTRACTOR SHALL CONTACT LOUISIANA ONE CALL PRIOR TO COMMENCEMENT OF SITE EXCAVATION.

SITE UTILITIES LEGEND

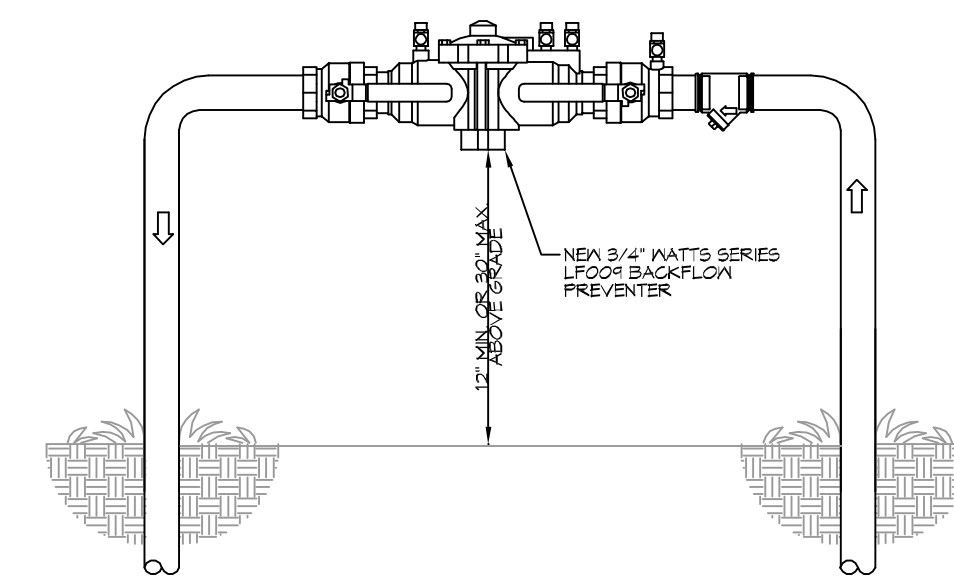
- - - - - NEW WATER LINE
- - - - - NEW ELECTRICAL LINE



1 SITE UTILITY PLAN
SCALE: 1" = 30'-0"



5 WATER SERVICE CONNECTION
SCALE: N.T.S. TYPICAL



6 TYPICAL RISER DETAIL
SCALE: N.T.S. TYPICAL

CONTACT TAMMANY UTILITIES,
@ 985-893-1717 FOR WATER TIE IN.

DAMMON ENGINEERING, INC.
LOUISIANA & MISSISSIPPI
www.dammonengineering.com
info@dammonengineering.com
PH: 985-897-1828

Chief Engineer: Brian Mestich, PE
356 Old Spanish Trail
Shreveport, LA 71208

#	DESCRIPTION	REVISIONS	DATE

SEAL:

NEW OFFICE WAREHOUSE
ZEIGLER TREE & TIMBER, CO.

L.A. HWY 1025 DEER CROSS DRIVE
MADISONVILLE, LA 70447

JOB No: 2383 DATE: 10-09-2019
DRAWN BY: CACD CHECKED BY: BMM

SHEET TITLE:
SITE UTILITY PLAN

DRAWING NUMBER:
C100

SHEET No: 2 of 2