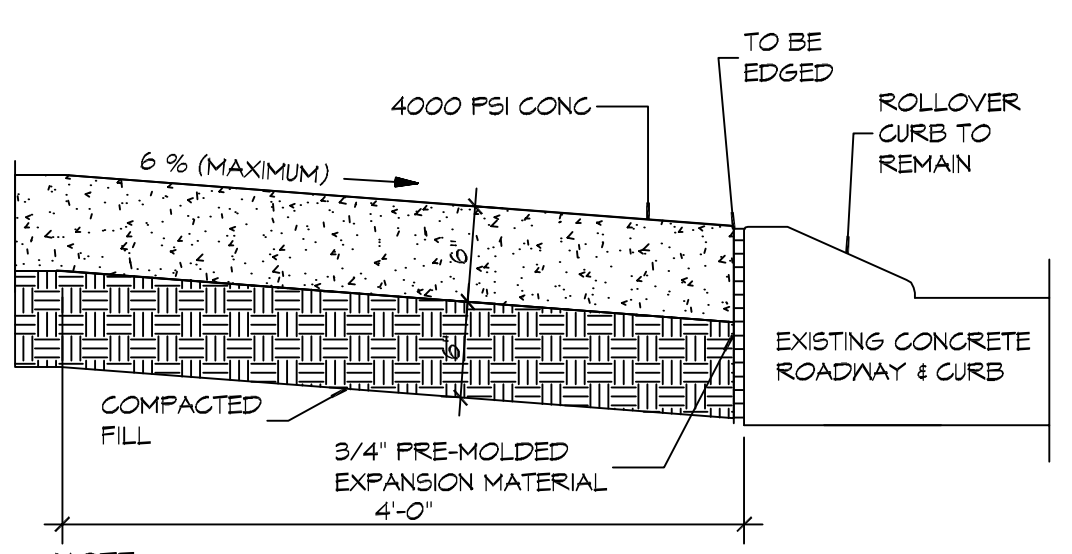
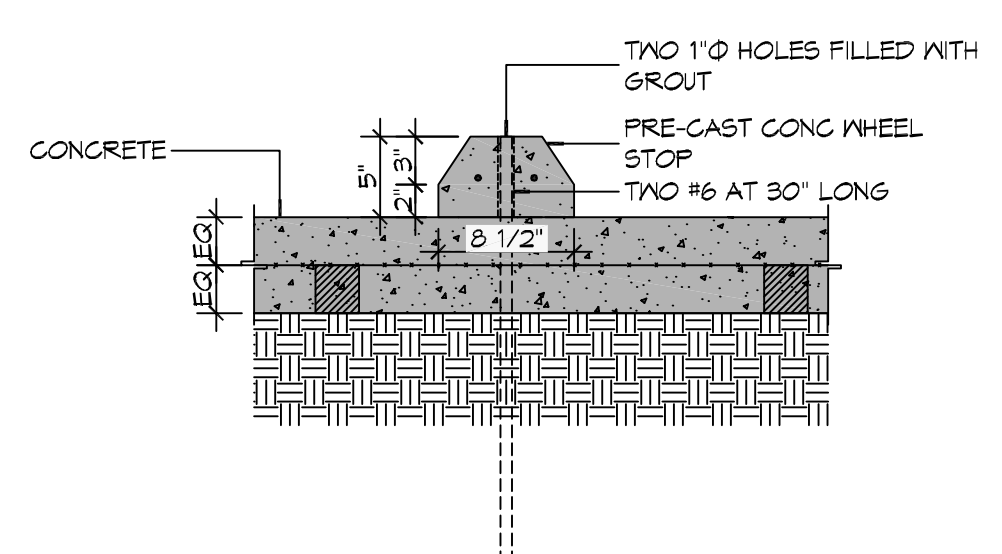


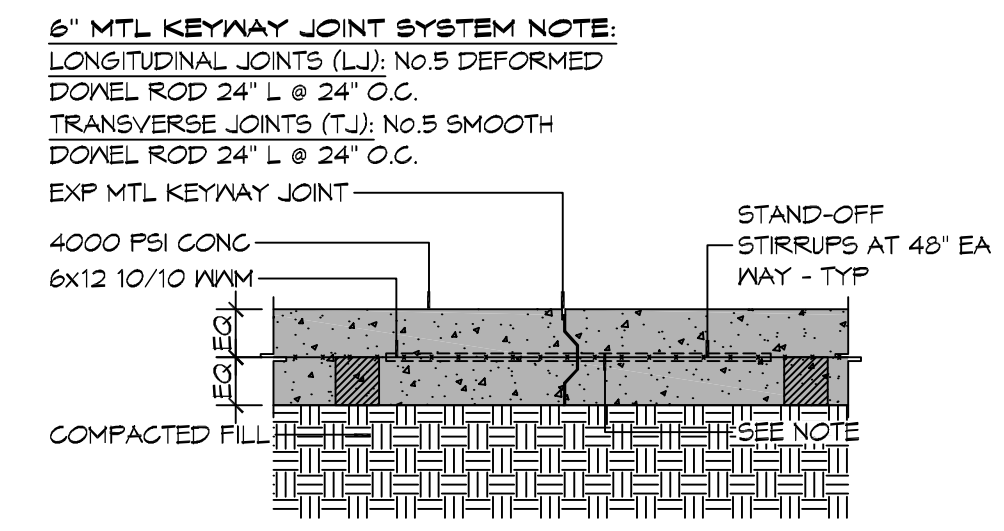
THE MATERIALS AND METHODS SHOWN ON THIS DRAWING ARE THE PROPERTY OF DAMMON ENGINEERING, INC. AND ARE NOT TO BE REPRODUCED OR TRANSMITTED IN ANY FORM OR BY ANY MEANS, ELECTRONIC OR MECHANICAL, INCLUDING PHOTOCOPYING, RECORDING, OR BY ANY INFORMATION STORAGE AND RETRIEVAL SYSTEM, WITHOUT THE WRITTEN PERMISSION OF DAMMON ENGINEERING, INC.



A DRIVEWAY ROLLOVER CURB



B TYPICAL WHEEL STOP

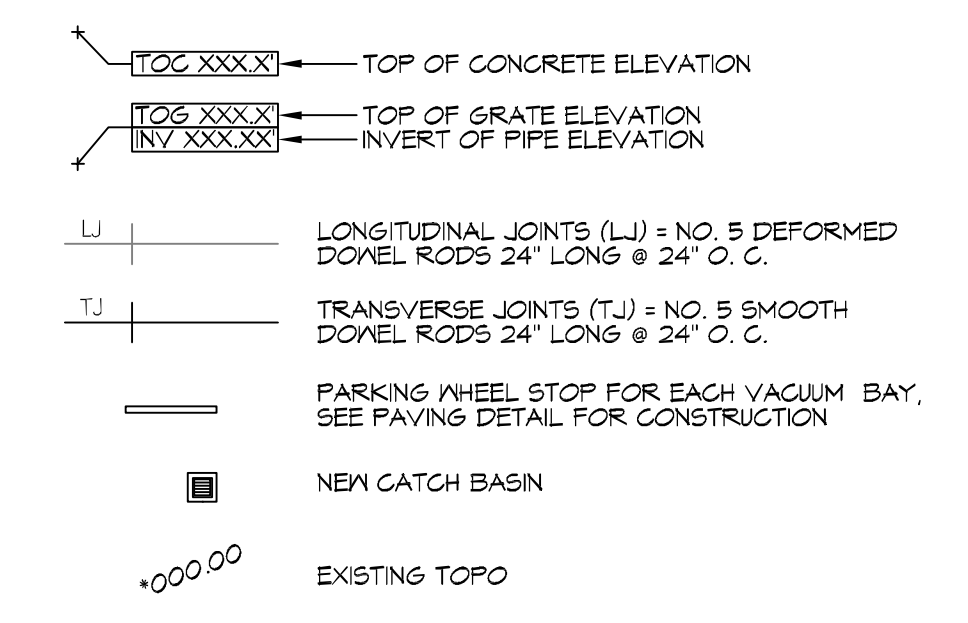


C TYPICAL PAVEMENT JOINT

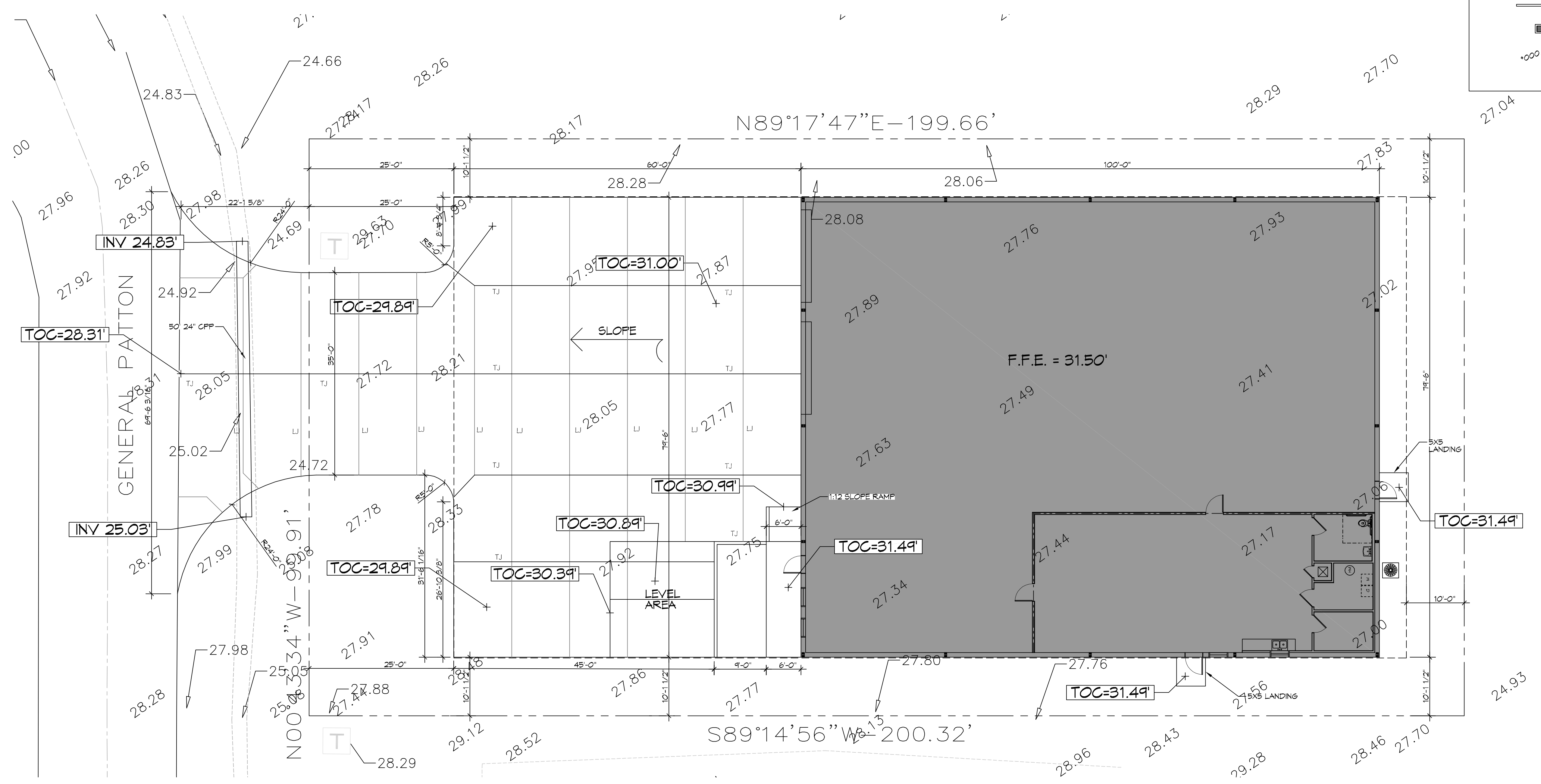
GENERAL PAVING NOTES

- ALL NEW CONCRETE SHALL HAVE A MINIMUM COMPRESSIVE STRENGTH OF 4,000 PSI AT 28 DAYS AND A MINIMUM THICKNESS OF 6\"/>

PAVING LEGEND



13 PAVING DETAILS
SCALE: 1" = 1'-0"



12 SITE PAVING PLAN
SCALE: 1" = 10'-0"

DAMMON ENGINEERING, INC.
LOUISIANA & MISSISSIPPI

www.dammonengineering.com
info@dammonengineering.com
PH: 985.687.1824

Chief Engineer: Brian Mestich, PE
356 Old Spanish Trail
Shreveport, LA 71208

#	DESCRIPTION	DATE

SEAL:

NEW OFFICE WAREHOUSE

MIKE SCHWARTZ

211 GENERAL PATTON
MANDEVILLE, LA

JOB NO: 2409 DATE: 03-16-2020
DRAWN BY: BMM
CHECKED BY: BMM

SHEET TITLE:
SITE PAVING PLAN

DRAWING NUMBER:
C103

SHEET No: 5 of 12