

FILE NAME: J:\0105 MAIN\MAIN\0105 - MISS. SCHWARTZ\ARCHITECT\DWG\0105 - FLOOR PLAN.dwg PLOT DATE: 8/25/2020 9:15:15 AM

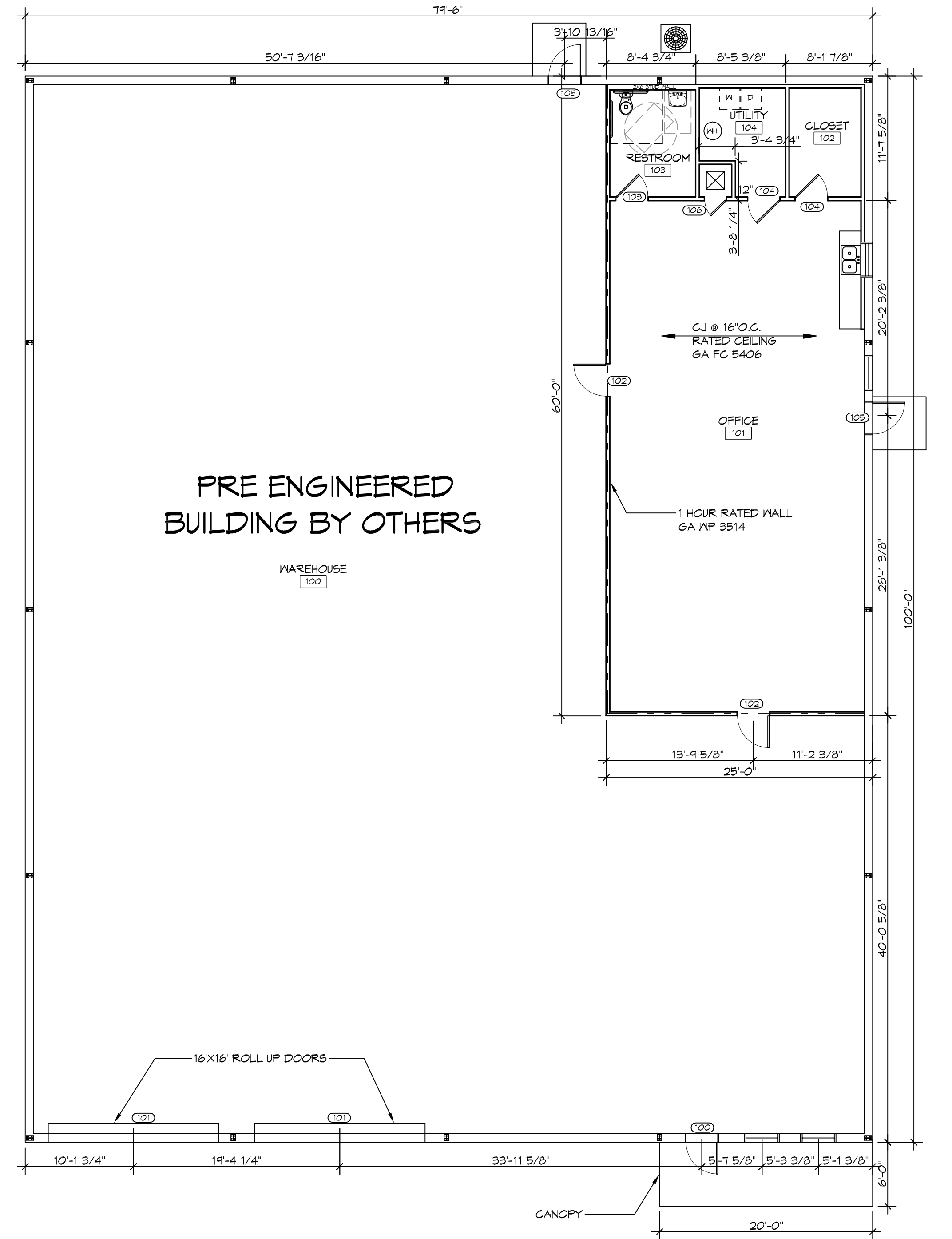
DOOR SCHEDULE							
MK	WIDTH	HEIGHT	THK	DOOR MAT	FRAME MAT	FR	REMARKS
100	3'-0"	6'-8"	1-3/4"	GLASS	STEEL	NR	WITH DOOR CLOSURE
101	16'-0"	16'-0"	1-3/4"	INSUL MTL	STEEL	NR	ROLL UP DOOR
102	3'-0"	6'-8"	1-3/4"	WOOD	STEEL	45 MIN.	WITH DOOR CLOSURE
103	3'-0"	6'-8"	1-3/4"	WOOD	STEEL	NR	WITH DOOR CLOSURE
104	3'-0"	6'-8"	1-3/4"	WOOD	STEEL	NR	
105	3'-0"	6'-8"	1-3/4"	INSUL MTL	STEEL	NR	WITH DOOR CLOSURE
106	2'-0"	4'-0"	1-3/4"	WOOD	STEEL	NR	

GENERAL NOTES

- INSULATION AND INSULATION ASSEMBLIES SHALL MEET THE REQUIREMENTS OF IBC 2012 SECTION 714.
 - CONCEALED INSULATION SHALL HAVE A FLAME SPREAD OF 0-25 AND SMOKE DEVELOPED INDEX OF 0-450, EXCEPT THAT IN COMBUSTIBLE (WOOD FRAME) CONSTRUCTION.
 - FACING SHALL COMPLY WITH IBC 2012.
- ALL MATERIALS SHALL BE NEW AND UL LISTED.
- NO WORK SHALL BE CONCEALED UNTIL APPROVED BY LOCAL INSPECTORS.
- CONSTRUCTION SHALL COMPLY WITH ALL PARISH, STATE, AND LOCAL CODES.
- CONTRACTOR TO GUARANTEE WORK FOR ONE YEAR FROM DATE OF SUBSTANTIAL COMPLETION.
- CONTRACTOR SHALL FURNISH WATER AND POWER FROM EXISTING SOURCES.
- EXTERIOR CAULKING SHALL BE THICK CAULK.
- PAINT SHALL BE SHERWIN WILLIAMS OR EQUIVALENT AND APPROPRIATE FOR THE SUBSTRATE TO WHICH IT IS APPLIED AS RECOMMENDED BY PAINT MANUFACTURER. ALL WORK TO RECEIVE THREE COATS (ONE PRIMER COAT, TWO FINISH COATS) UNLESS OTHERWISE RECOMMENDED BY PAINT MANUFACTURER. COLORS TO BE SELECTED BY OWNER.
- PROVIDE CLEANUP ON A REGULAR BASIS. NO TRASH SHALL BE STORED INSIDE BUILDING PREMISES.
- ALL BATT INSULATION SHALL HAVE A CLASS "A" (0-25) FLAME SPREAD IN COMPLIANCE WITH IBC 2012.
- USE 2x6 STUDS, OR TWO 2x4 STAGGERED STUDS WITH 2x6 SILL PLATE AT ALL WALLS WHERE 4" PIPE IS INDICATED. SEE PLUMBING RISER DIAGRAM FOR PIPE SIZE.
- PROVIDE GALVANIZED METAL PAN WITH DRAIN AT ALL WATER HEATERS.
- ALL FLOORING SHALL MEET OR EXCEED ADA GUIDELINES REQUIREMENTS FOR SLIP RESISTANCE.
- INTERIOR LOCKS ON DOORS IN MEANS OF EGRESS SHALL NOT REQUIRE THE USE OF A KEY, SPECIAL KNOWLEDGE, OR SPECIAL DEVICE TO OPEN IN THE DIRECTION OF EGRESS. ALL DOORS SHALL HAVE LEVER TYPE HANDLES.
- INTERIOR WALLS AND CEILINGS SHALL HAVE A FLAME SPREAD OF 0-200 AND A SMOKE DEVELOPMENT RATING OF 0-450.
- ALL WORK SHALL COMPLY WITH THE LATEST EDITION OF ALL LOCAL, STATE, AND NATIONAL CODES COVERING THE TYPE OF WORK BEING PERFORMED.
- PROVIDE PORTABLE FIRE EXTINGUISHERS IN ACCORDANCE WITH NFPA 101. SEE APPENDIX 'E' OF NFPA 101 FOR DISTRIBUTION OF EXTINGUISHERS.
- ALL FIRE WALLS SHALL EXTEND TIGHT TO ROOF DECK AND BE SEALED WITH AN APPROVED FIRE CAULK.
- ALL ELECTRICAL, MECHANICAL, AND PLUMBING MATERIALS PENETRATING FIRE WALLS SHALL BE FIRE CAULKED. (PENETRATIONS THROUGH RATED CONSTRUCTION SHALL BE SEALED WITH A MATERIAL CAPABLE OF PREVENTING THE PASSAGE OF FLAMES AND HOT GASES WHEN TESTED IN ACCORDANCE WITH ASTM-E814.)
- SERVICE COUNTERS SHALL HAVE AN ACCESSIBLE WRITING SURFACE IN COMPLIANCE WITH ADAAG ACCESSIBILITY GUIDELINES 2010, SECTION 402.3.

DAMMON ENGINEERING, INC.
 LOUISIANA & MISSISSIPPI
 www.dammonengineering.com
 info@dammonengineering.com
 554 Old Spanish Trail
 Slidell, LA 70568
 Chief Engineer: Brian Mitchell, PE
 Ph: 985.649.5832

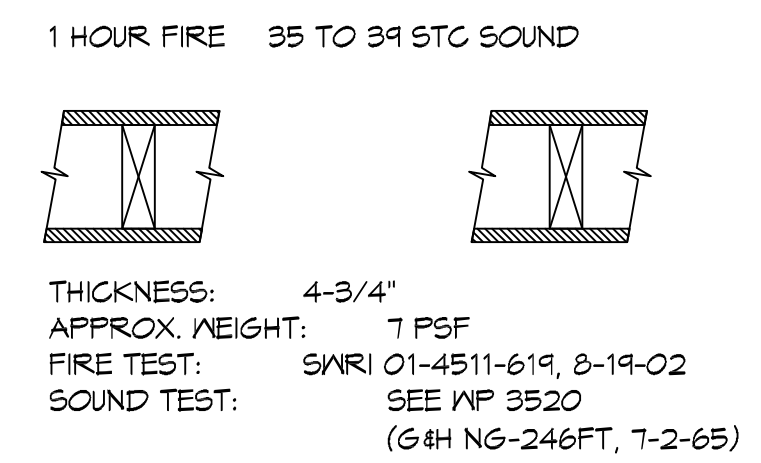
FINISH SCHEDULE						
ROOM NAME	ROOM NO	FLOOR	BASE	WALL	CEILING	REMARKS
OFFICE	101	VCT	VINYL	5/8" GYP BD	5/8" GYP BD	TYPE "X"
RESTROOM	102	CERAMIC	CERAMIC	5/8" GYP BD	5/8" GYP BD	MOISTURE RESISTANT TYPE 'X'
WAREHOUSE	103	CONCRETE	N/A	FURLINS	FURLINS	
UTILITY	104	CONCRETE	N/A	5/8" GYP BD	5/8" GYP BD	TYPE "X"



22 FLOOR PLAN
SCALE: 1/8" = 1'-0"

GA FILE NO. WP 3514 GENERIC

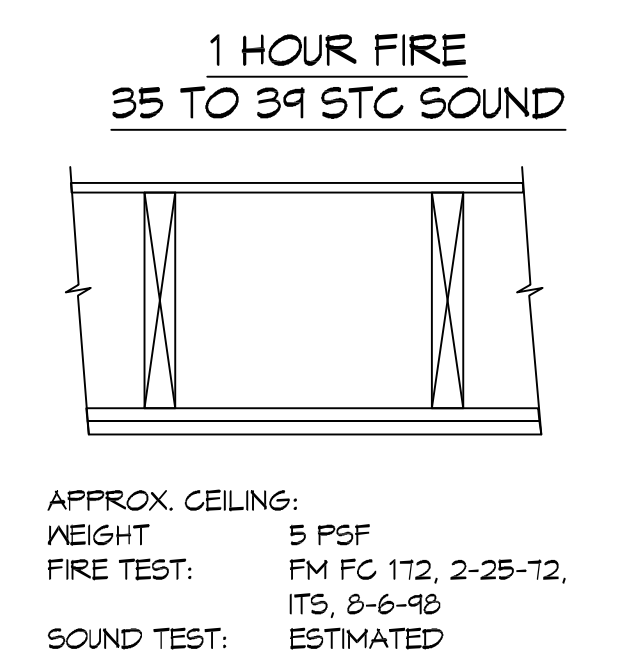
ONE LAYER 5/8" TYPE X GYPSUM WALLBOARD OR GYPSUM VENEER BASE APPLIED PARALLEL OR AT RIGHT ANGLES TO EACH SIDE OF 2x4 WOOD STUDS 16" O.C. WITH 1-1/4" TYPE N DRYWALL SCREWS 12" O.C.
 JOINTS STAGGERED 16" ON OPPOSITE SIDES. (LOAD BEARING)



23 DETAIL
SCALE: 3/8" = 1'-0"

GA FILE NO. FC 5406 GENERIC

WOOD JOISTS, GYPSUM WALLBOARD
 BASE LAYER 5/8" TYPE X GYPSUM WALLBOARD APPLIED AT RIGHT ANGLES TO 2 X 10 WOOD JOISTS, 24" O.C. WITH 1-1/4" TYPE N OR S DRYWALL SCREWS 24" O.C. FACE LAYER 5/8" TYPE X GYPSUM WALLBOARD OR GYPSUM VENEER BASE APPLIED AT RIGHT ANGLES TO JOISTS WITH 1-7/8" TYPE N OR S DRYWALL SCREWS 12" O.C. AT JOINTS AND INTERMEDIATE JOISTS AND 1-1/2" TYPE G DRYWALL SCREWS 12" O.C. PLACED 2" BACK ON EITHER SIDE OF END JOISTS. JOINTS OFFSET 24" FROM BASE LAYER JOINTS. WOOD JOISTS SUPPORTING 1/2" PLYWOOD WITH EXTERIOR GLUE APPLIED AT RIGHT ANGLES TO JOISTS WITH 8d NAILS. CEILING PROVIDES ONE HOUR FIRE RESISTANCE PROTECTION FOR FRAMING, INCLUDING TRUSSES.



24 DETAIL
SCALE: 3/8" = 1'-0"

SEAL:

NEW OFFICE WAREHOUSE
MIKE SCHWARTZ
 211 GENERAL PATTON
 MANDEVILLE, LA
 JOB NO: 2404 DATE: 05-15-2020
 DRAWN BY: JMS CHECKED BY: CKD

SHEET TITLE:
FLOOR PLAN

DRAWING NUMBER:
A101

SHEET No: 9 of 12