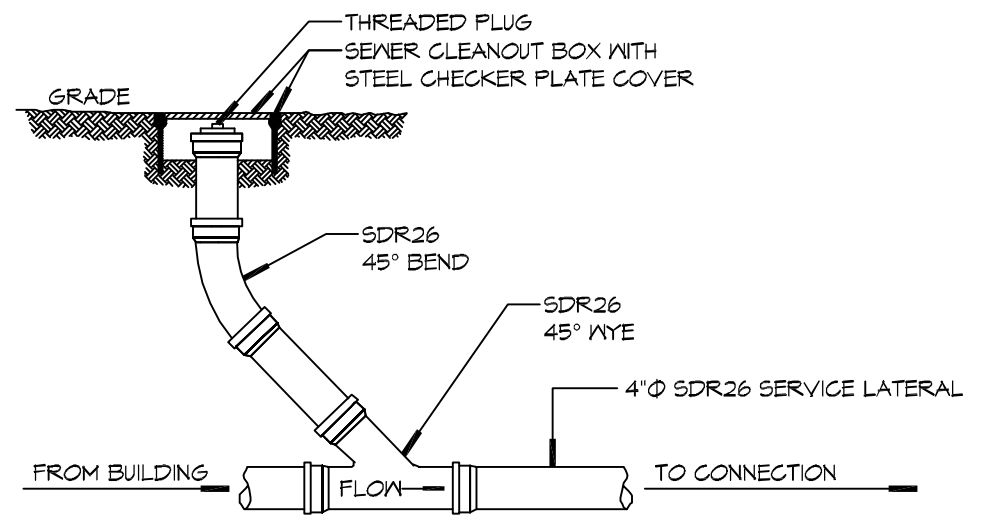
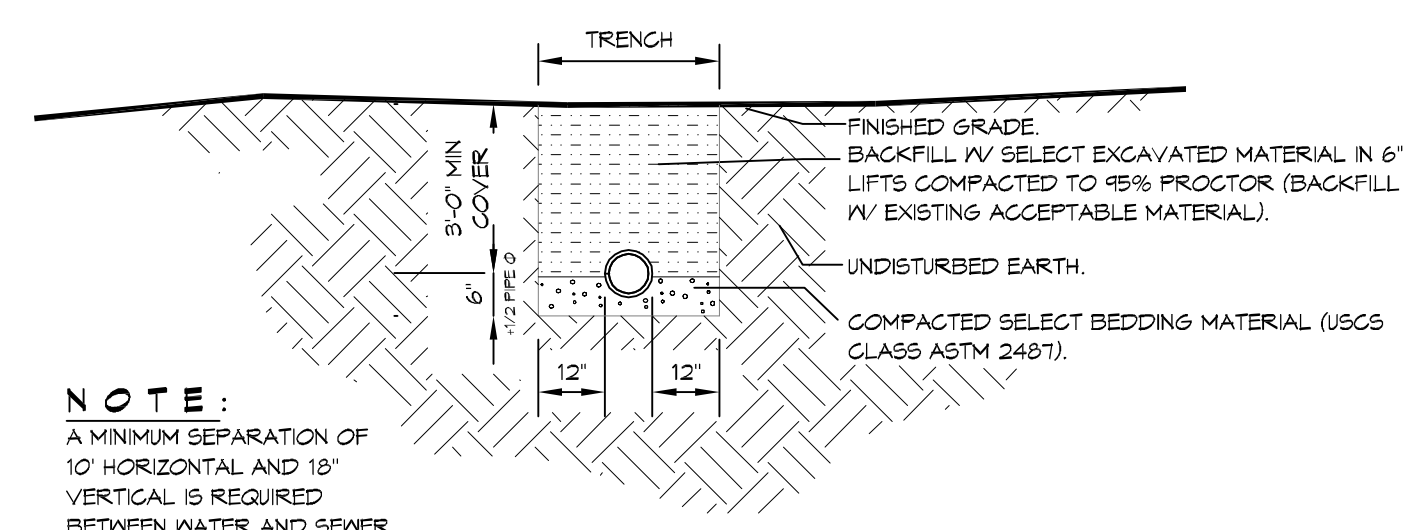


**8 DETAIL**  
SCALE: N.T.S. TYPICAL PIPE BEDDING



**9 DETAIL**  
SCALE: N.T.S. SEWER CLEAN OUT



**10 DETAIL**  
SCALE: N.T.S. SEWER AND WATER SEPERATION

**GENERAL NOTE NOSES**

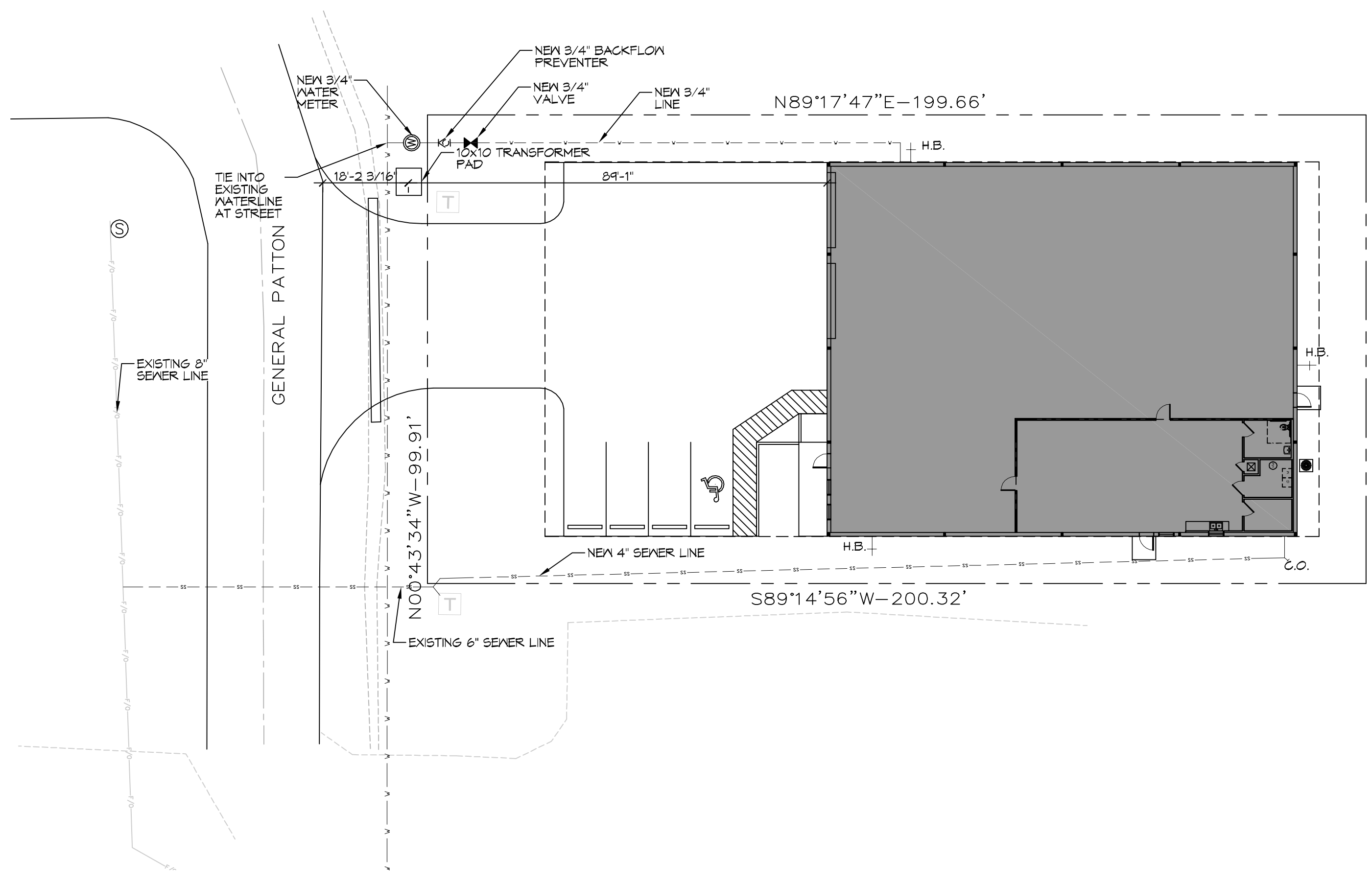
1. PROVIDE ALL LABOR, MATERIAL AND EQUIPMENT FOR A COMPLETE OPERATING SYSTEM. CONTRACTOR IS TO FIELD VERIFY ALL EXISTING UTILITY LOCATIONS, ELEVATIONS, AND INVERTS PRIOR TO COMMENCING ANY WORK. CONTRACTOR SHALL PAY NECESSARY FEES FOR THE UTILITIES CONNECTIONS.
2. CONTRACTOR TO BE RESPONSIBLE TO VERIFY ANY INVERTS AND SET NEW INVERTS OF SEWAGE AND DRAINAGE PIPES.
3. ALL WORK AND MATERIAL TO COMPLY STRICTLY TO THE LATEST LOCAL CITY PARISH, STATE, AND NATIONAL GOVERNING CODES.
4. SEWAGE LINES 3" AND SMALLER SHALL BE SLOPED 1/4" PER FOOT AND LINES THAT ARE 4" AND LARGER SHALL BE SLOPED 1/8" PER FOOT.
10. CONTRACTOR SHALL CONTACT LOUISIANA ONE CALL PRIOR TO COMMENCEMENT OF SITE EXCAVATION.

**SITE UTILITIES LEG END**

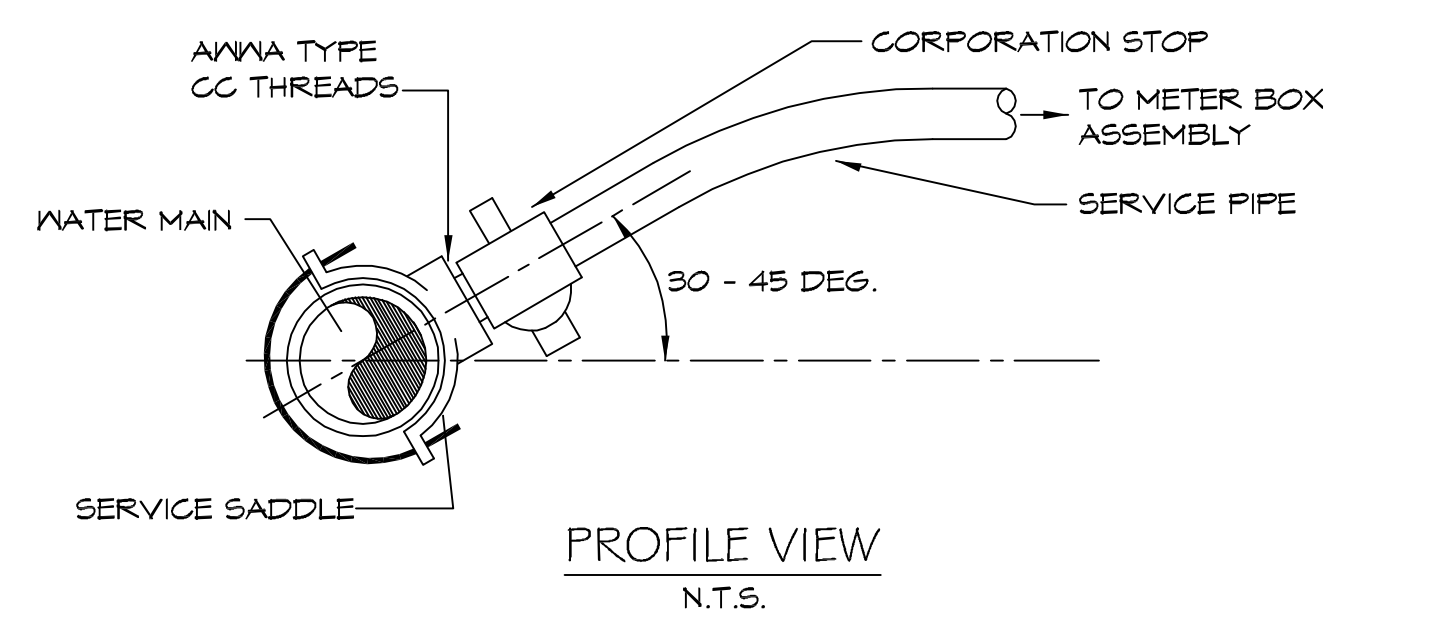
- v — v — NEW WATER LINE
- · — · — NEW SEWER LINE
- — — — NEW ELECTRICAL LINE
- — — — NEW POWER OVERHEAD LINE

**FOR TAPS**

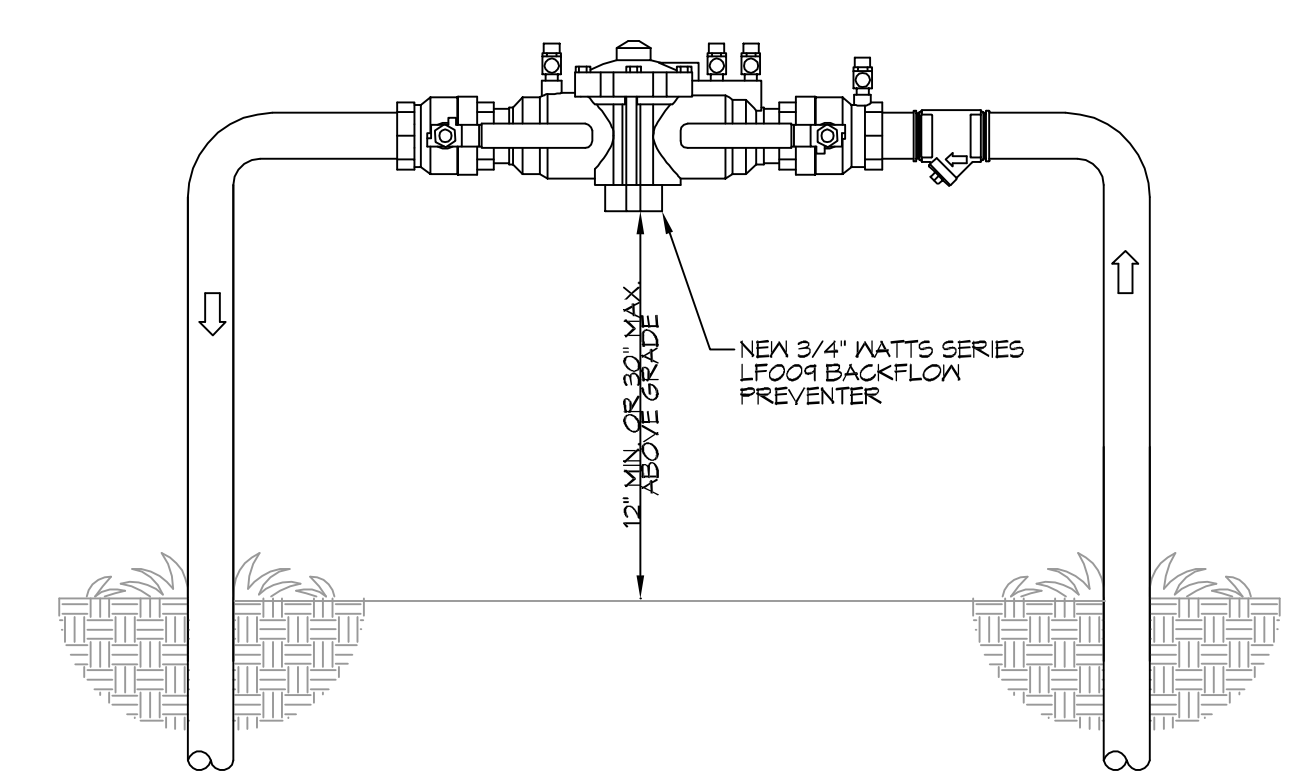
CONTACT FOR TAPS  
SEWER - UTILITIES INC OF LOUISIANA 985-893-6646  
WATER - TAMMANY UTILITIES 985-276-6400



**7 SITE UTILITY PLAN**  
SCALE: 1" = 20'-0"



**11 WATER SERVICE CONNECTION**  
SCALE: N.T.S. TYPICAL



**TYPICAL RISER DETAIL**  
SCALE: N.T.S. TYPICAL

**DAMMON ENGINEERING, INC.**  
LOUISIANA & MISSISSIPPI  
www.dammonengineering.com  
info@dammonengineering.com  
PH: 985-897-1824  
Chief Engineer: Brian Mestich, PE  
354 Old Spanish Trail  
Shreveport, LA 71208

REVISIONS	DATE	#	DESCRIPTION

SEAL:  
STATE OF LOUISIANA  
BRIAN A. MESTICH  
License No. 30187  
PROFESSIONAL ENGINEER

NEW OFFICE WAREHOUSE  
**MIKE SCHWARTZ**  
211 GENERAL PATTON  
MANDEVILLE, LA  
JOB No: 2409  
DATE: 03-16-2020  
DRAWN BY: CACD  
CHECKED BY: BMM  
SHEET TITLE: SITE UTILITY PLAN  
DRAWING NUMBER: **C102**  
SHEET No: 4 of 12