

GENERAL PLUMBING NOTES

- PLUMBING LINES SHOWN ARE DRAWN DIAGRAMMATIC IN NATURE AND REPRESENT CONCEPTUAL ROUTING ONLY. CONTRACTOR IS RESPONSIBLE FOR FIELD VERIFICATION OF ALL ACTUAL CONDITIONS.
- PROVIDE ALL LABOR, MATERIAL, TRANSPORTATION, SUPERVISION, CLEAN-UP, SERVICES, AND EQUIPMENT FOR A COMPLETE OPERATING SYSTEM. THE SYSTEM SHALL INCLUDE HOT AND COLD WATER PIPING, SEWER AND VENT PIPING, INSULATION, WATER HEATER, HANGERS, VALVES, SUPPORTS WITHOUT ANY RESTRICTIONS TO VOLUME, CUT AND PATCH AS REQUIRED TO INSTALL PIPES.
- ALL WORK AND MATERIAL SHALL CONFORM STRICTLY TO THE LATEST LOCAL CITY, PARISH, STATE AND NATIONAL GOVERNING CODES. MUST MEET LA STATE PLUMBING CODE 2019 REQUIREMENTS.
- CONTRACTOR IS TO FIELD VERIFY ALL EXISTING UTILITY LOCATIONS, ELEVATIONS AND SIZES PRIOR TO COMMENCING ANY WORK. CONTRACTOR SHALL PAY NECESSARY FEES FOR THE UTILITIES CONNECTIONS.
- CONTRACTOR IS RESPONSIBLE TO VERIFY THE EXISTING INVERTS AND SET NEW INVERTS OF SEWERAGE AND DRAINAGE PIPES.
- SEWERAGE LINES 3-INCH AND SMALLER SHALL BE SLOPED 1/4" PER FOOT AND LINES 4-INCH AND LARGER SHALL BE 1/8" PER FOOT.
- TEST ALL PIPING AT REQUIRED PRESSURE.
- ALL PLUMBING SHALL BE CLOSELY COORDINATED WITH STRUCTURAL, MECHANICAL SYSTEM AND ELECTRICAL SYSTEMS TO INSURE NO TRADES WILL CONFLICT WITH EACH OTHER.
- DO NOT SCALE DRAWINGS. SEE ARCHITECTURAL DRAWINGS FOR EXACT LOCATIONS OF DOORS, WINDOWS, WALLS, FIXTURES, ETC.
- ALL WATER MAINS AND PIPING NOT SHOWN FOR CLARITY, ALL LOCATIONS FIELD VERIFIED.
- DOMESTIC HOT AND COLD WATER PIPING AND FITTINGS UNDER SLAB SHALL BE ASTM B88 COPPER WATER TUBE, TYPE K, SOFT ANNEALED. NO JOINTS SHALL BE ALLOWED UNDER THE SLAB.
- DOMESTIC WATER PIPING AND FITTINGS ABOVE THE SLAB SHALL BE ASTM B88 COPPER WATER TUBE, TYPE L, HARD DRAWN WITH COPPER PRESSURE TYPE FITTINGS, ANSI B16.22. THE JOINTS SHALL BE SOLDERED TYPE USING ASTM B32, ALLOY GRADE #5A (15-5) SOLDER.
- SOIL, WASTE, VENT PIPING AND FITTINGS ABOVE THE SLAB SHALL BE SERVICE WEIGHT CAST IRON PIPE WITH BELL AND SPIGOT ENDS AND ONE PIECE NEOPRENE INSERT TYPE GASKET. USE PVC SCHEDULE 40 OR ABS DWV PIPES AND FITTINGS WHERE PERMITTED BY CODE.
- ALL WATER PIPING AND FITTINGS ABOVE THE FLOOR SHALL BE INSULATED WITH 1/2" THICK FIBERGLASS INSULATION AND JACKET.
- ALL ELECTRICAL, MECHANICAL AND PLUMBING ELEMENTS PENETRATING FIRE PARTITIONS SHALL BE FIRE CAULKED. (PENETRATIONS THROUGH RATED CONSTRUCTION SHALL BE SEALED WITH A MATERIAL CAPABLE OF PREVENTING THE PASSAGE OF FLAMES AND HOT GASES WHEN TESTED IN ACCORDANCE WITH ASTM-E814.)
- SEE ROOF PLAN FOR PLUMBING ROOF PENETRATIONS. ROUTE VENT PIPES IN ATTIC AS NECESSARY.
- ALL VENTS THROUGH ROOF (VTR) SHALL BE LOCATED A MINIMUM OF 10'-0" FROM ANY MECHANICAL OR NATURAL AIR INTAKE.

PLUMBING ABBREVIATIONS

US	UTILITY SINK
LAV	LAVATORY
WC	WATER CLOSET
MF	WATER FOUNTAIN

LEGEND

SYMBOL	DESCRIPTION
—S—S—	SANITARY SEWER
—V—V—	VENT PIPE
—FD	FLOOR DRAIN
—FCO	LINE CLEAN OUT
—MCO	WALL CLEAN OUT

REVISIONS	DATE
#	DESCRIPTION

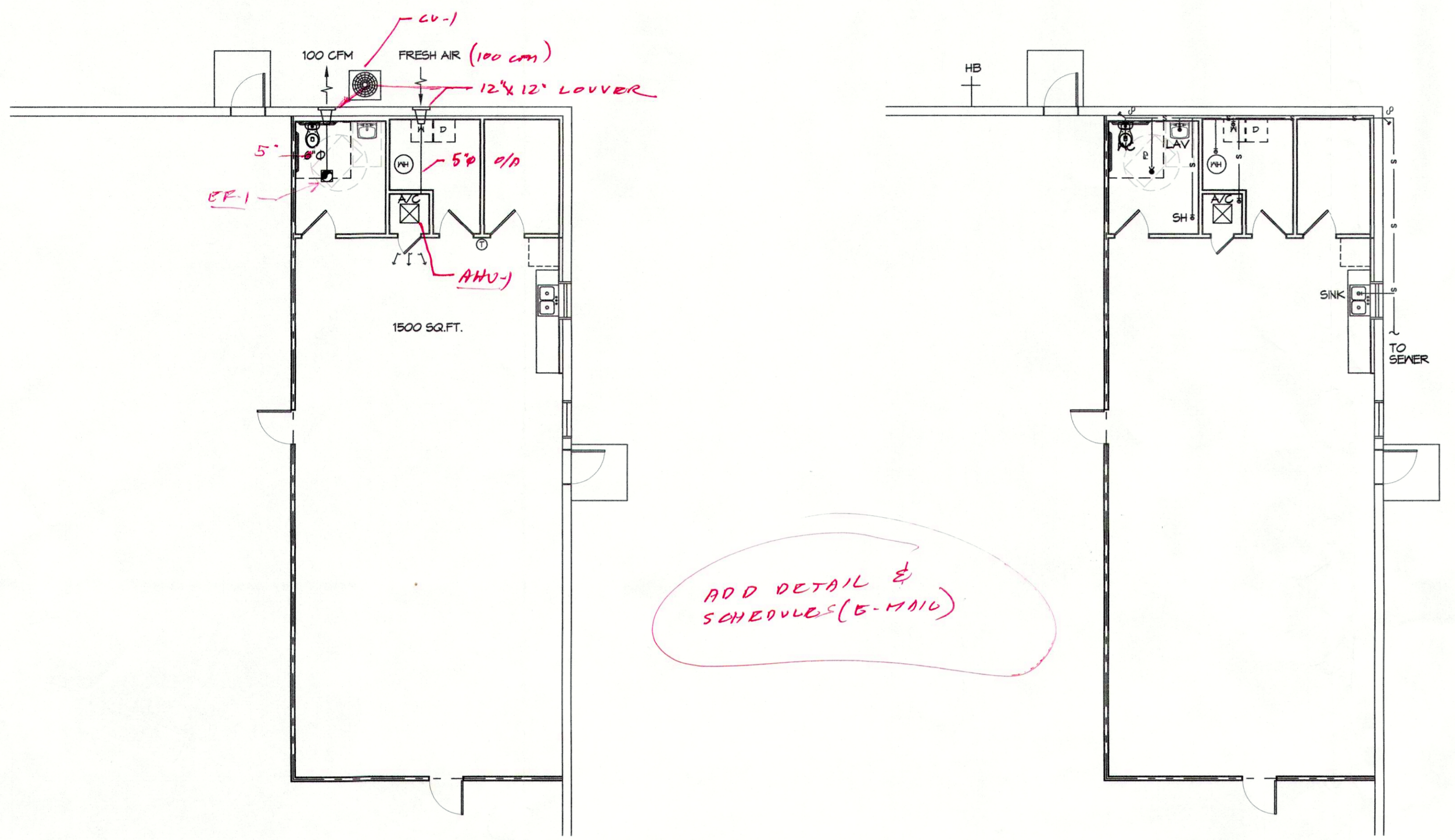
SEAL:

NEW OFFICE WAREHOUSE
 MIKE SCHWARTZ
 211 GENERAL PATTON
 MADRISVILLE, LA
 JOB NO: 2401
 DATE: 02-12-2020
 DRAWN BY: CKD
 CHECKED BY: EAY

SHEET TITLE:
 MECHANICAL AND
 PLUMBING PLAN

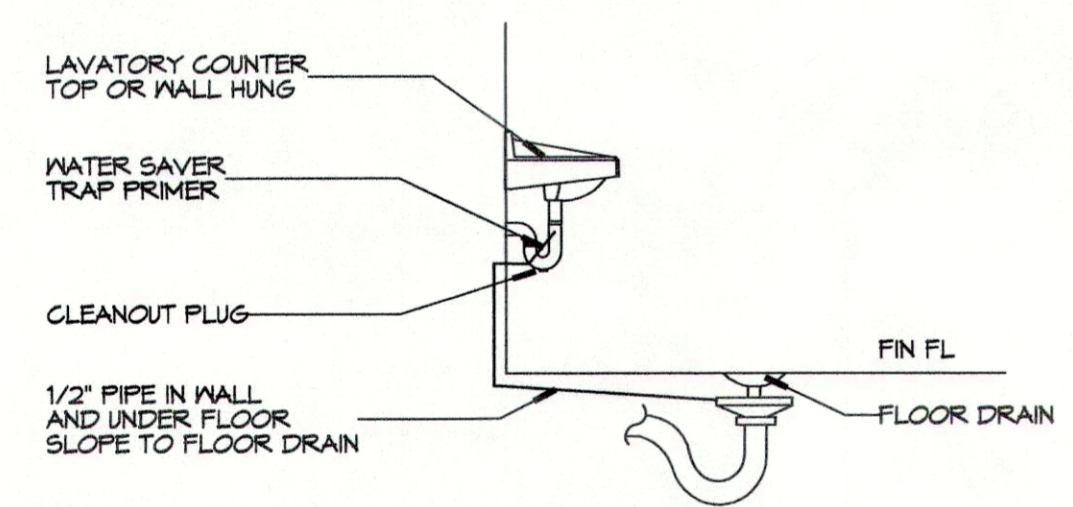
DRAWING NUMBER:

M/P 101

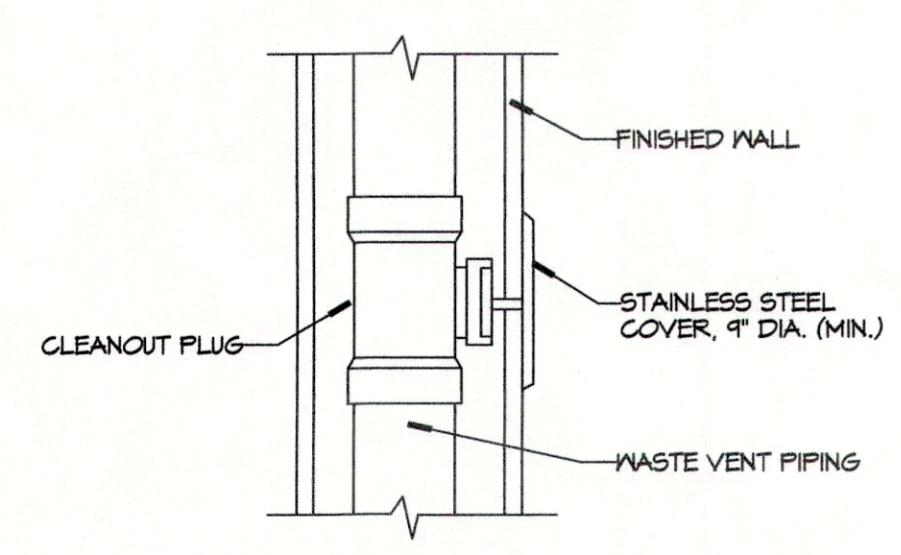


29 MECHANICAL PLAN
 SCALE: 1/8"=1'-0"

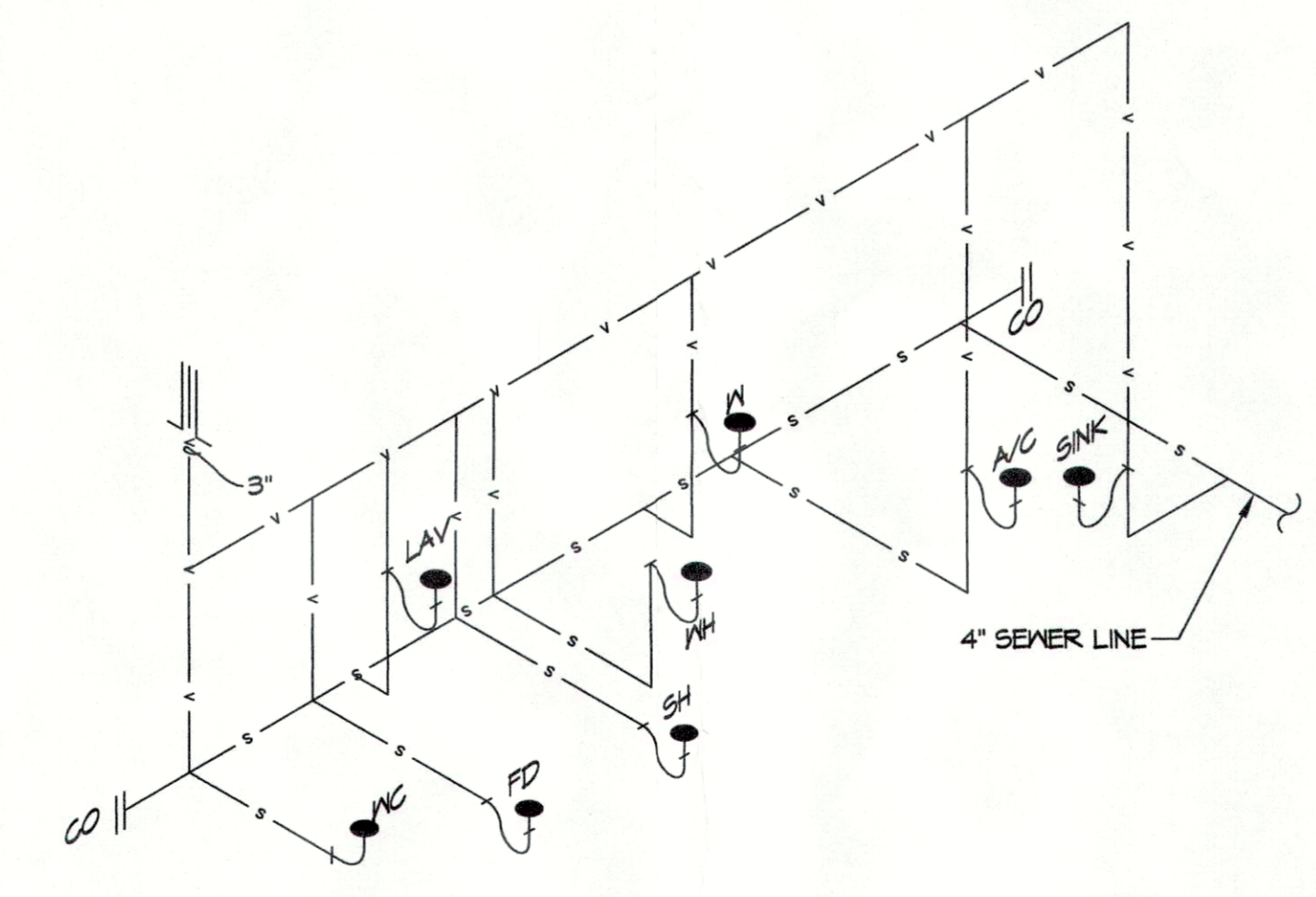
30 PLUMBING PLAN
 SCALE: 1/8"=1'-0"



32 TYPICAL DETAILS
 SCALE: N.T.S. MISCELLANEOUS PLUMBING



33 TYPICAL DETAILS
 SCALE: N.T.S. MISCELLANEOUS PLUMBING



31 PLUMBING RISER DIAGRAM
 SCALE: N.T.S.

PLUMBING FIXTURE SCHEDULE						
ITEM	DESCRIPTION	SOIL OR WASTE	VENT	COLD WATER	HOT WATER	
WC	WATER CLOSET	4"	3"	1"	—	FLUSH VALVE; MATCH EXISTING
LAV	LAVATORY	1-1/2"	2"	1/2"	1/2"	MATCH EXISTING
US	UTILITY SINK	3"	2"	1/2"	1/2"	FIAT MODEL #15B 2424 OR EQUAL, 24"X24"X10" FIBERGLASS BASIN WITH MODEL #830-AA FAUCET WITH VACUUM BREAKER AND PAIL HOOK, AND MODEL #884-CC OR EQUAL MOP HANGER.
FD	FLOOR DRAIN	3"	2"	—	—	COATED CAST IRON WITH ADJUSTABLE NICKEL BRONZE GRATE, TRAP PRIMER CONNECTION AND DEEP SEAL TRAP. EQUAL TO JAY R. SMITH 2010-B-P.
FCO	FLOOR CLEAN OUT	—	—	—	—	MADE #1-6004-Y OR EQUAL, CAST IRON W/ADJUSTABLE HOUSING, ROUND HEAVY CAST IRON VANDAL PROOF TOP.
MCO	WALL CLEAN OUT	—	—	—	—	MADE #1-8453-R6 OR EQUAL, WITH BRASS PLUG AND ROUND STAINLESS STEEL SECURED ACCESS COVER.

PLUMBING FIXTURE SCHEDULE
 N.T.S.

BILL