

ROOM FINISH SCHEDULE										
NAME	FLOOR	BASE	WALL	CEILING	REMARKS					
		V.C.T.	CERAMIC TILE	CERAMIC TILE TO 42" HT.	CLG. HGT.					NOTE: INSTALL MOISTURE RESISTANT GYPSUM BOARD (PAINTED) ON WALLS ABOVE CERAMIC TILE IN RESTROOMS/BATHROOMS WITH CERAMIC TILE TO 42" HEIGHT.
		CONC. WEARER	VINYL BASE	GYF. BD. PAINTED						
			CERAMIC TILE	DIENSGLAS						
			NONE	PLYWOOD						
				EXPOSED STRUCTURE						
				2x4' SUSP. ACQUST.						
				EXPOSED STRUCTURE						
100	OFFICE									
101	HALL									
102	MENS RESTROOM									
103	UTILITY									
104	WOMENS RESTROOM									
105	WAREHOUSE									VARIES

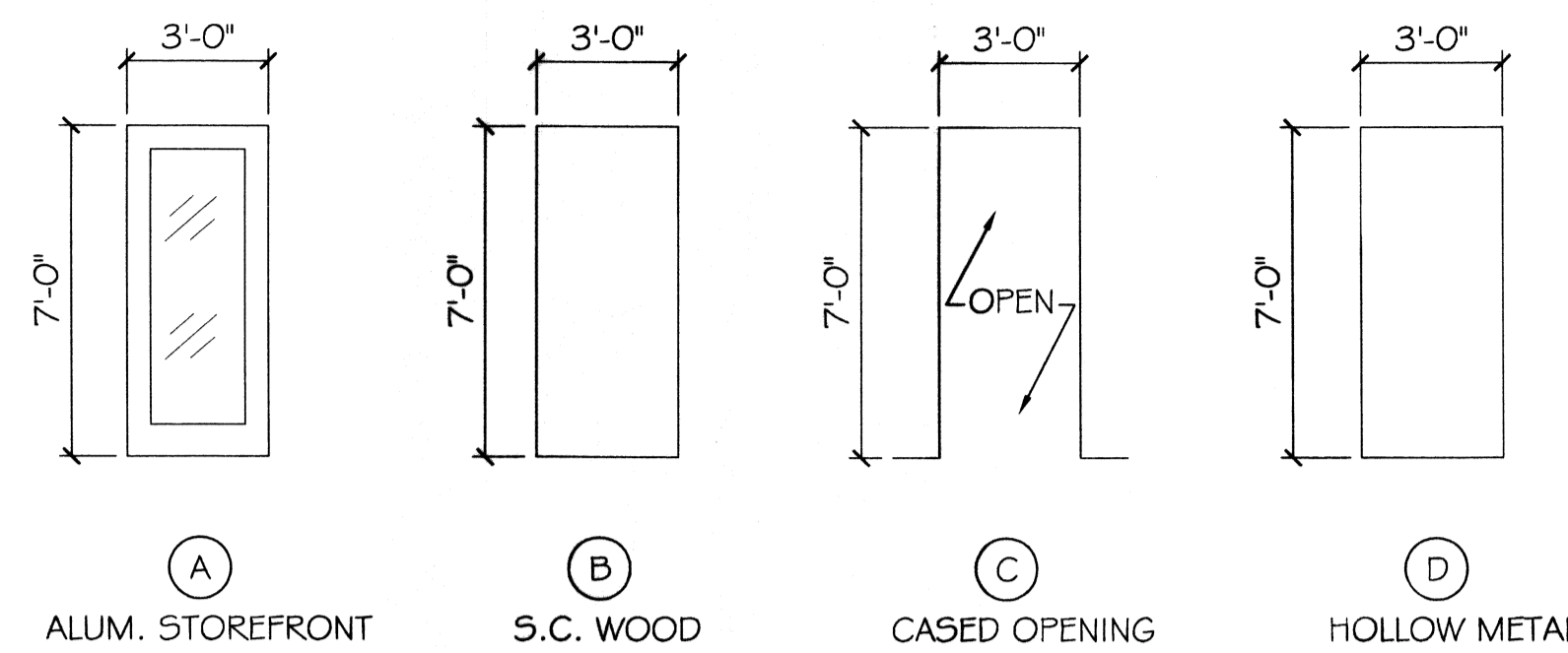
DOOR & HARDWARE SCHEDULE																		
NO.	SIZE	TYPE		FRAME		HINGE		LOCK		ACCESS.		REMARKS						
		S.F. W/ FULL GLASS	S.C. WOOD	HOLLOW METAL	NONE	ALUMINUM	HOLLOW METAL	STEEL TRACK	MARK	BUTT	NONE		PASSAGE	PRIVACY	KEYED HANDLE	NONE	THRESHOLD	WEATHERSTRIP
1	30x70				A													
2	30x70				B													
3	30x70 C.O.											CASED OPENING						
4	30x70				B													
5	140x140				E							ROLL-UP DOOR						
6	30x70				D													
7	100x140				F							ROLL-UP DOOR						

WINDBORNE DEBRIS PROTECTION FASTENING SCHEDULE FOR WOOD STRUCTURAL PANELS			
FASTENER TYPE	FASTENER SPACING		
	PANEL SPAN ≤ 4 FOOT	4 FOOT PANEL SPAN ≤ 6 FOOT	6 FOOT PANEL SPAN ≤ 8 FOOT
2-1/2" #6 WOOD SCREWS	16"	12"	9"
2-1/2" #8 WOOD SCREWS	16"	16"	12"

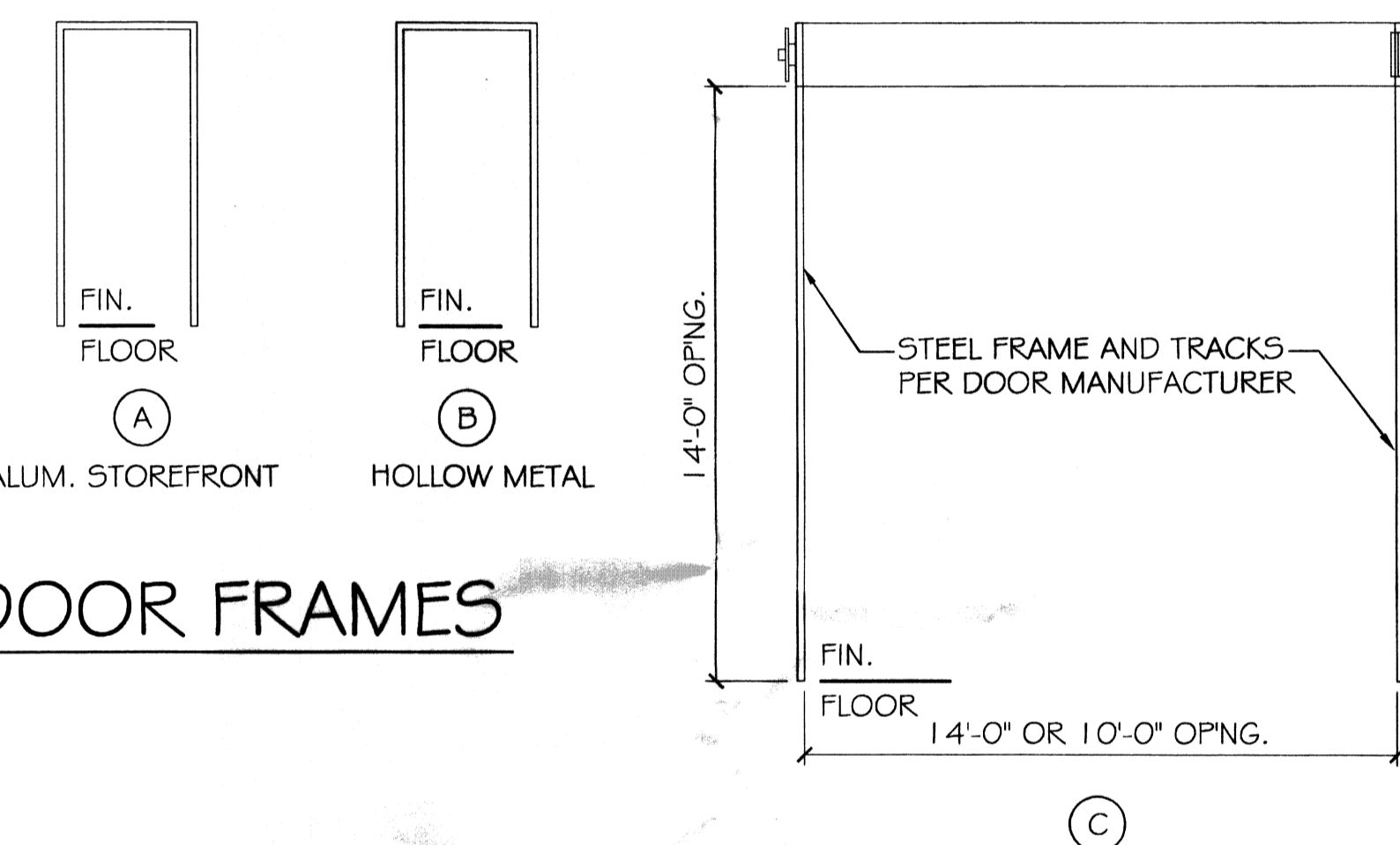
WINDOWS IN BUILDINGS LOCATED IN WIND BORNE DEBRIS REGIONS SHALL HAVE GLAZED OPENINGS PROTECTED FROM WINDBORNE DEBRIS. WOOD STRUCTURAL PANELS WITH A MIN. THICKNESS OF 7/16" AND A MAX. SPAN OF 8 FEET SHALL BE PERMITTED FOR OPENING PROTECTION IN ONE AND TWO STORY BUILDINGS. PANELS SHALL BE PRECUT TO COVER THE GLAZED OPENINGS WITH ATTACHMENT HARDWARE PROVIDED.

GENERAL NOTES

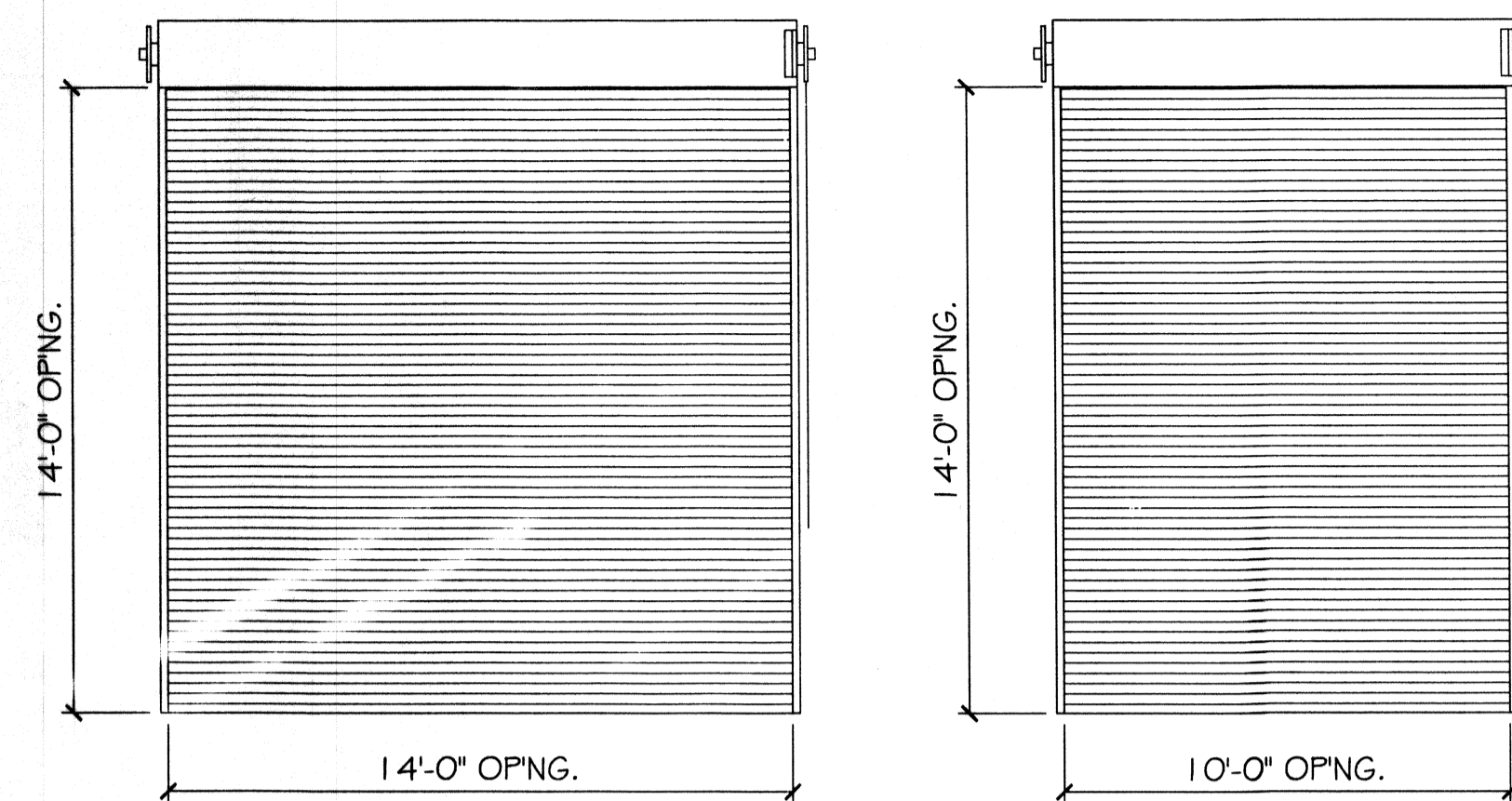
- INSULATION AND INSULATION ASSEMBLIES SHALL MEET THE REQUIREMENTS OF SECTION 719.
- CONCEALED INSULATION SHALL HAVE A FLAME SPREAD OF 0-25 AND SMOKE DEVELOPED INDEX OF 0-450. EXCEPT THAT IN COMBUSTIBLE (WOOD FRAME) CONSTRUCTION.
- FACING SHALL COMPLY WITH IBC 2006.
- PROVIDE 5x5' LANDINGS, LEVEL WITH FINISHED FLOOR, OUTSIDE EXTERIOR DOORS ON WEST SIDE OF BUILDING. THRESHOLDS SHALL BE NOT MORE THAN 1/2" IN HEIGHT AND SHALL BE BEVELED IF MORE THAN 1/4".
- CONTRACTOR TO VERIFY ALL SITE CONDITIONS, BUILDING LOCATIONS, AND DIMENSIONS PRIOR TO CONSTRUCTION.
- MATERIALS SHALL BE NEW AND U.L. LISTED.
- NO WORK SHALL BE CONCEALED UNTIL APPROVED BY LOCAL INSPECTORS.
- CONSTRUCTION SHALL COMPLY WITH ALL PARISH, STATE, AND LOCAL CODES.
- CONTRACTOR TO GUARANTEE WORK FOR ONE YEAR.
- CONTRACTOR SHALL FURNISH WATER AND POWER FROM EXISTING SOURCES.
- EXTERIOR CAULKING SHALL BE THIOKAL CAULK.
- PAINT GRADE TO SHALL BE SHERWIN WILLIAMS OR EQUIVALENT. ALL WORK TO RECEIVE 3 COATS. COLOR SELECTION BY OWNER.
- PROVIDE CLEANUP ON A REGULAR BASIS. NO TRASH STORED IN BUILDING.
- ALL BATT INSULATION SHALL HAVE A CLASS "A" (0-25) FLAME SPREAD IN COMPLIANCE WITH APPLICABLE CODE.
- USE 6" STUDS, OR 4" STAGGERED STUDS AT ALL PLUMBING WALLS.
- PROVIDE GALVANIZED METAL PAN WITH DRAIN AT WATER HEATER LOCATION.
- ALL CORNERS SHALL BE PROPERLY BRACED FOR WIND LOADS. A 48" SHEATHING SHALL BE PROVIDED EVERY 20 FEET OF WALL LENGTH.
- INTERIOR LOCKS ON DOORS IN MEANS OF EGRESS SHALL NOT REQUIRE THE USE OF A KEY, SPECIAL KNOWLEDGE, OR SPECIAL DEVICE TO OPEN IN THE DIRECTION OF EGRESS. ALL DOORS SHALL HAVE LEVER TYPE HANDLES.
- INTERIOR WALLS AND CEILINGS SHALL HAVE A FLAME SPREAD OF 0-200 AND A SMOKE DEVELOPMENT RATING OF 0-450.
- ALL WORK SHALL COMPLY WITH THE LATEST EDITION OF ALL LOCAL, STATE, AND NATIONAL CODES COVERING THE TYPE OF WORK BEING PERFORMED.
- PROVIDE PORTABLE FIRE EXTINGUISHERS IN ACCORDANCE WITH NFPA 101. SEE APPENDIX "E" OF NFPA 101 FOR DISTRIBUTION OF EXTINGUISHERS.
- ALL FIRE WALLS SHALL EXTEND TIGHT TO ROOF DECK AND BE SEALED WITH AN APPROVED FIRE CAULK.
- ALL ELECTRICAL, MECHANICAL, AND PLUMBING MATERIALS PENETRATING FIRE WALLS SHALL BE FIRE CAULKED. (PENETRATIONS THROUGH RATED CONSTRUCTION SHALL BE SEALED WITH A MATERIAL CAPABLE OF PREVENTING THE PASSAGE OF FLAMES AND HOT GASES WHEN TESTED IN ACCORDANCE WITH ASTM-E814.)
- SERVICE COUNTER SHALL HAVE A HCP ACCESSIBLE WRITING SURFACE, MAX. 36" FROM F.F. (ADAAG MANUAL 1998, PG 135)



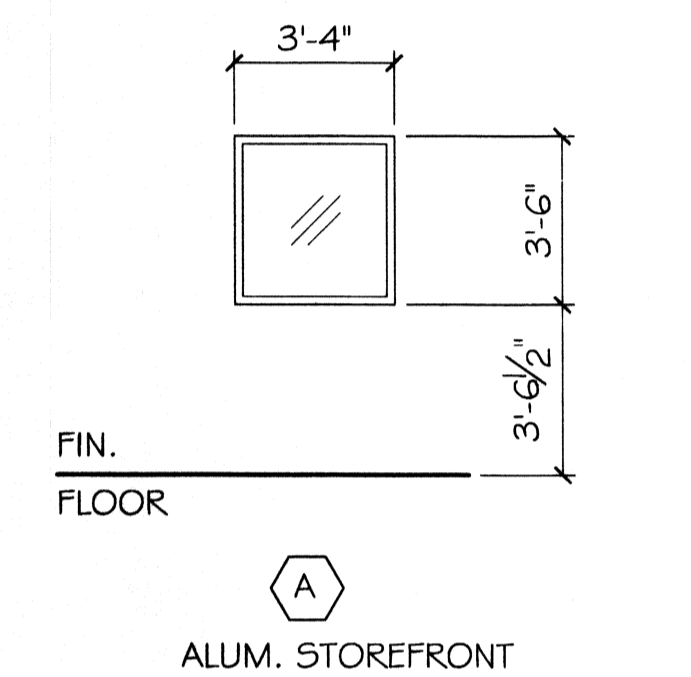
DOOR TYPES



DOOR FRAMES



(E) ROLL-UP DOOR
(F) ROLL-UP DOOR



WINDOW TYPES

DAMMON ENGINEERING, INC.
Architects & Engineers

CHIEF ENGINEER: EMMETT DAMMON, P.E.
CHIEF ARCHITECT: KEVIN KINCHEN
554 OLD SPANISH TRAIL
SUDELL, LA 70456

BULK SYSTEMS NEW OFFICE/WAREHOUSE BUILDING

1226 FREMAUX AVENUE
SUDELL, LOUISIANA 70456

DATE: 04-23-2013
2173
JTL

#	DESCRIPTION	DATE

KEVIN J. KINCHEN
No. 554
STATE OF LOUISIANA
REGISTERED ARCHITECT

4/30/13

432238
REVIEWED FOR
STATE FIRE MARSHAL
AS PER REVIEW LETTER
BY WILLIAM D. JONES, ARCHITECT, CBO

William D. Jones

SCHEDULES AND NOTES

SHEET No: 10 OF 20

A2