

1 FLOOR PLAN W/PARTITION TAGS

SCALE: 1/4" = 1'-0"

THIS PLAN IS ONLY VALID ONE YEAR FROM DATE ON PLAN

ACADIAN STRUCTURAL SOLUTIONS, INC.
 57362 ALLEN RD, SLIDELL, LA. 70461
 PHONE (985) 641-5794 FAX (985) 641-1239
 PLANS@ACADIANS.SS.COM

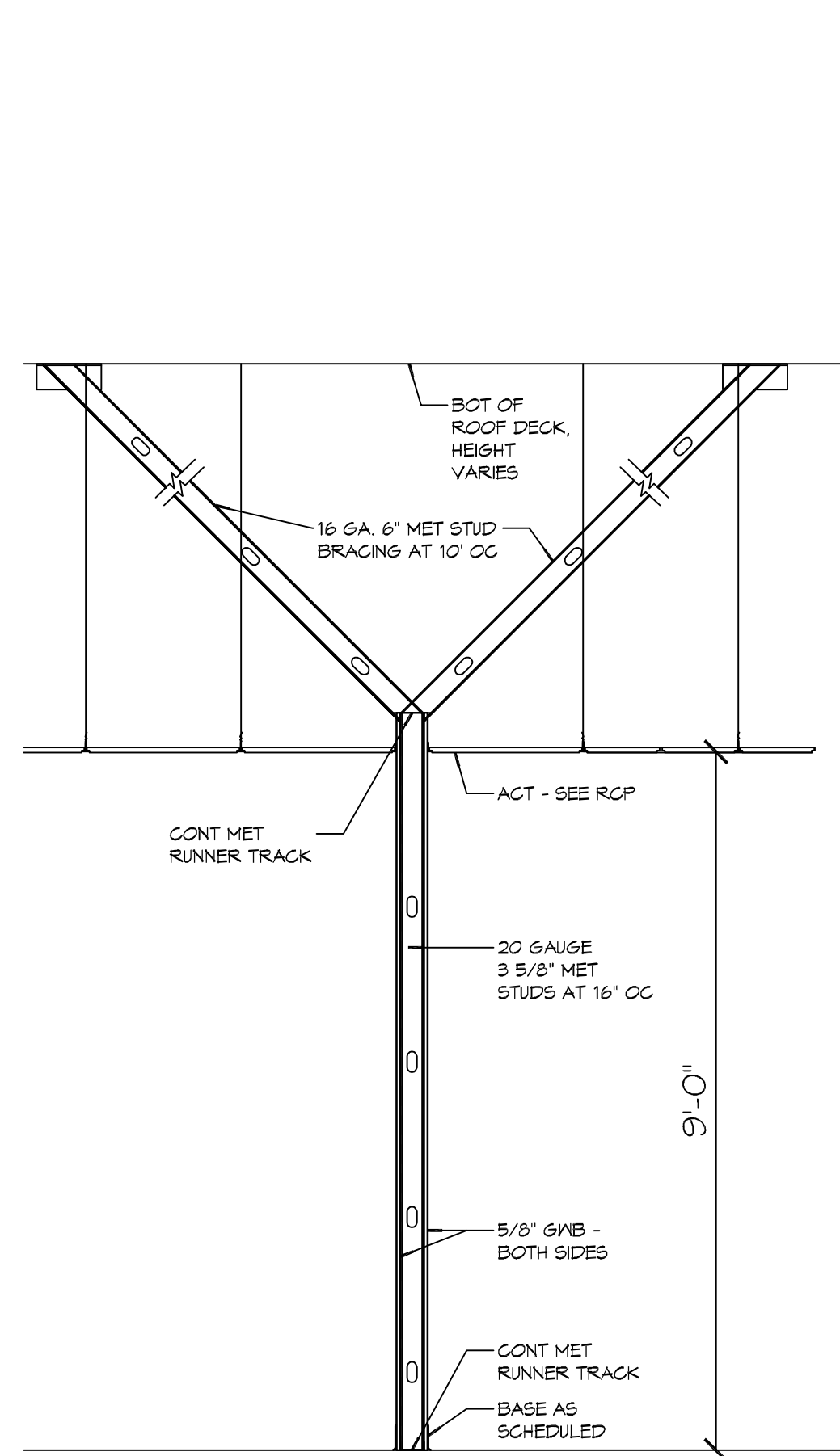
CERT. # 5160

DOTD YARD RENOVATION
 ABITA SPRINGS LA
CONTRACTOR
 LOCATION

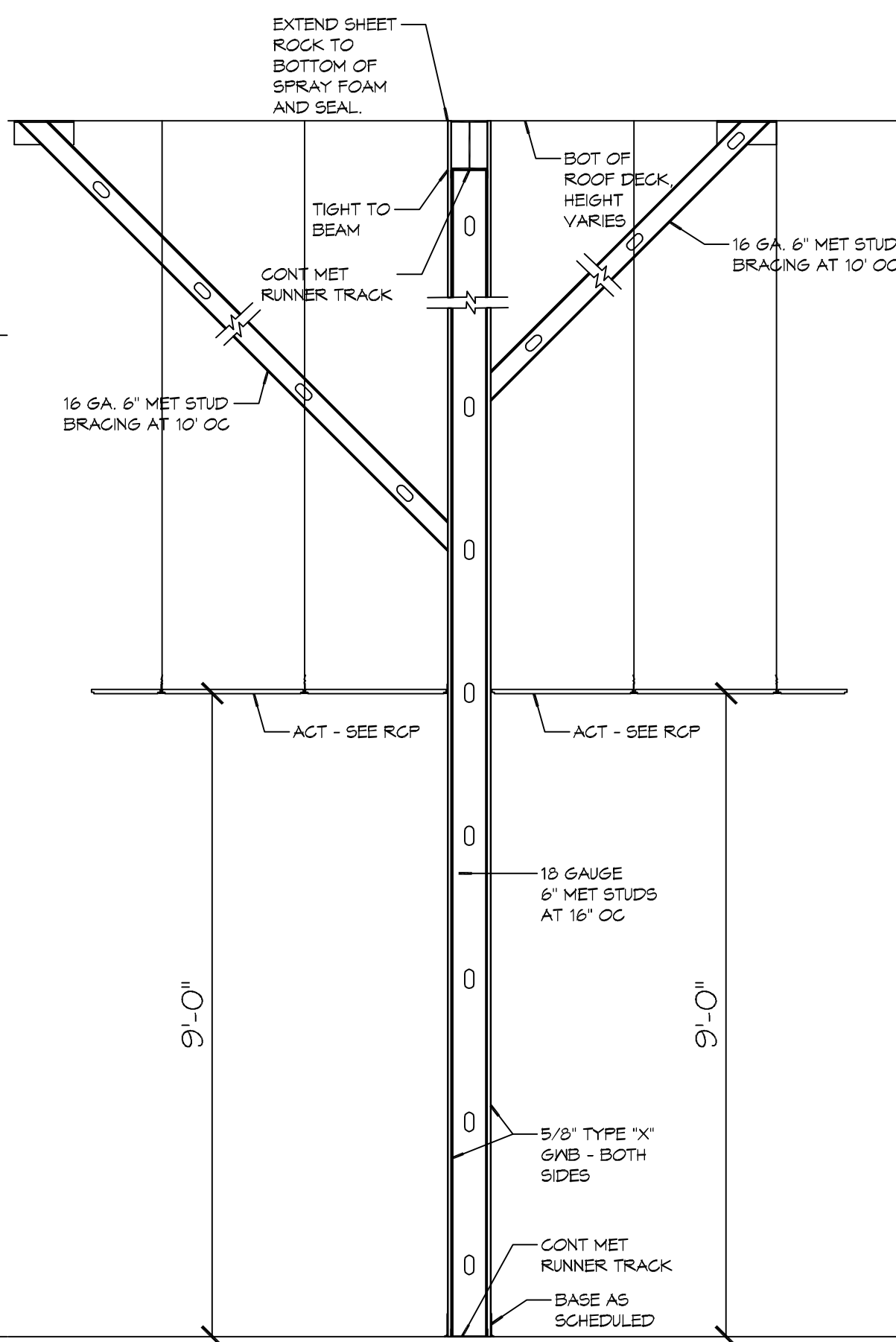
SCALE: AS NOTED
 DATE: 10-12-18
 DRAWN BY: -
 CHK'D BY: HN
 ASS PROJECT #: XXX-XX

DATE	REVISIONS

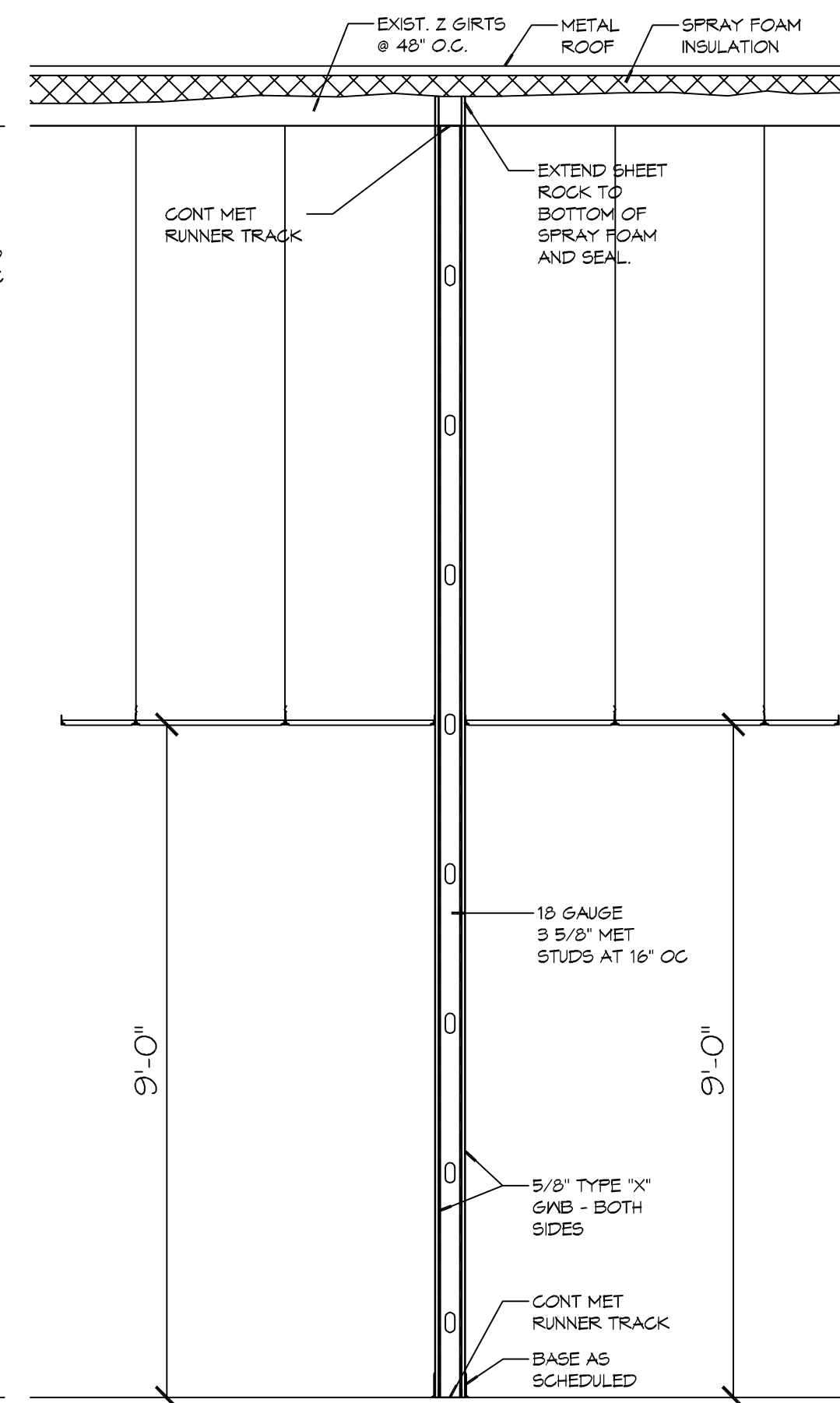
SHEET
1
 OF
2



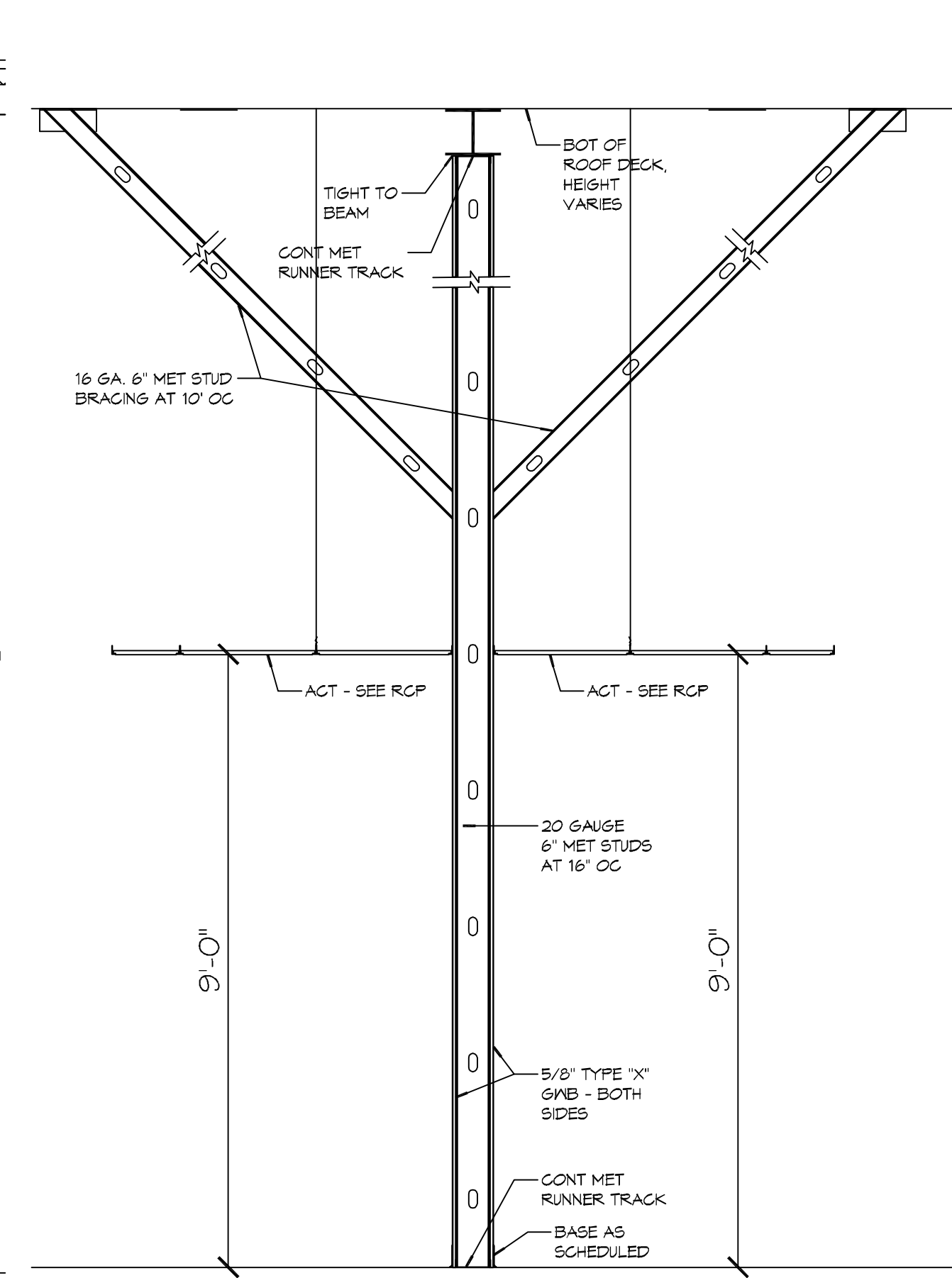
P1 PARTITION



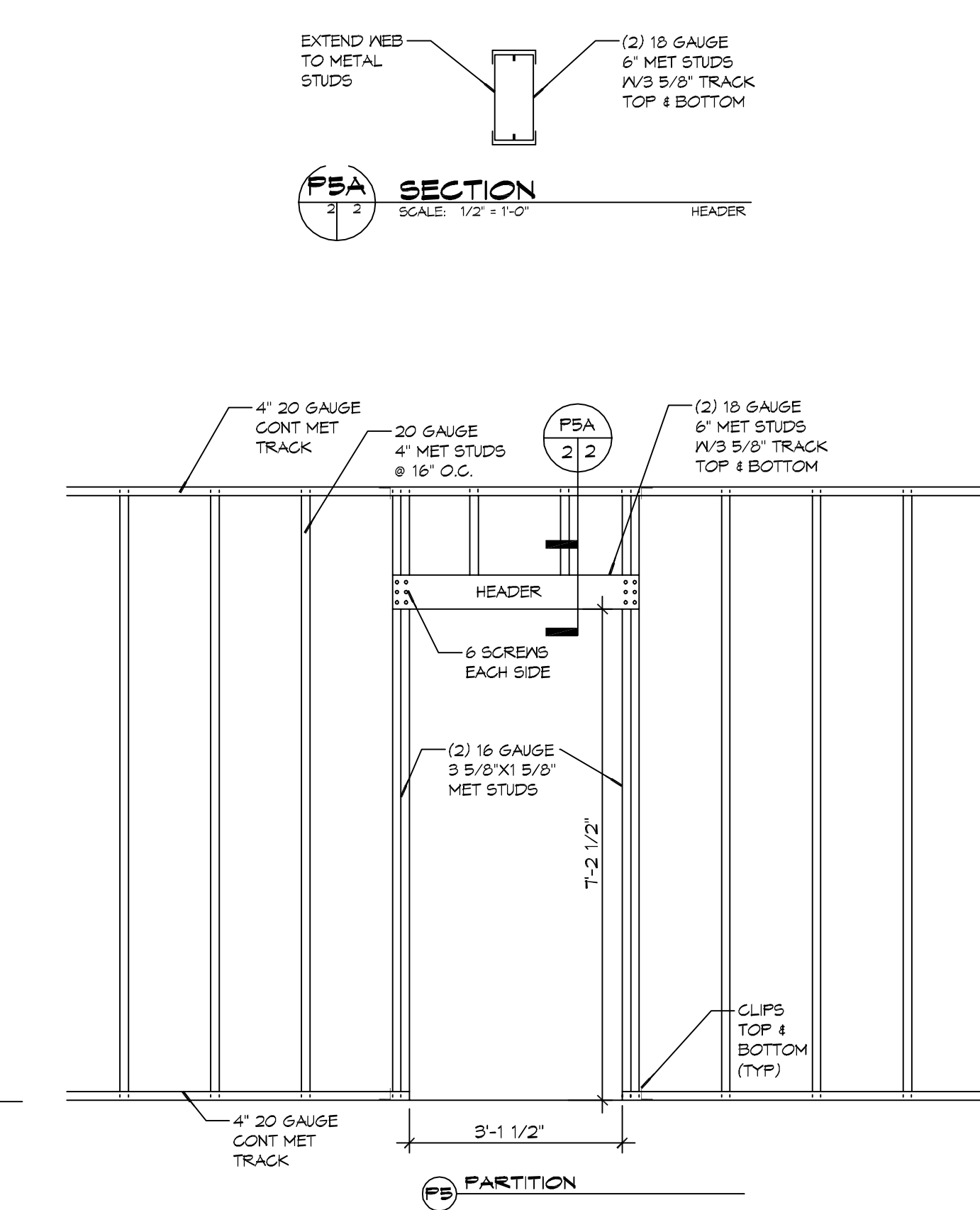
P2 PARTITION



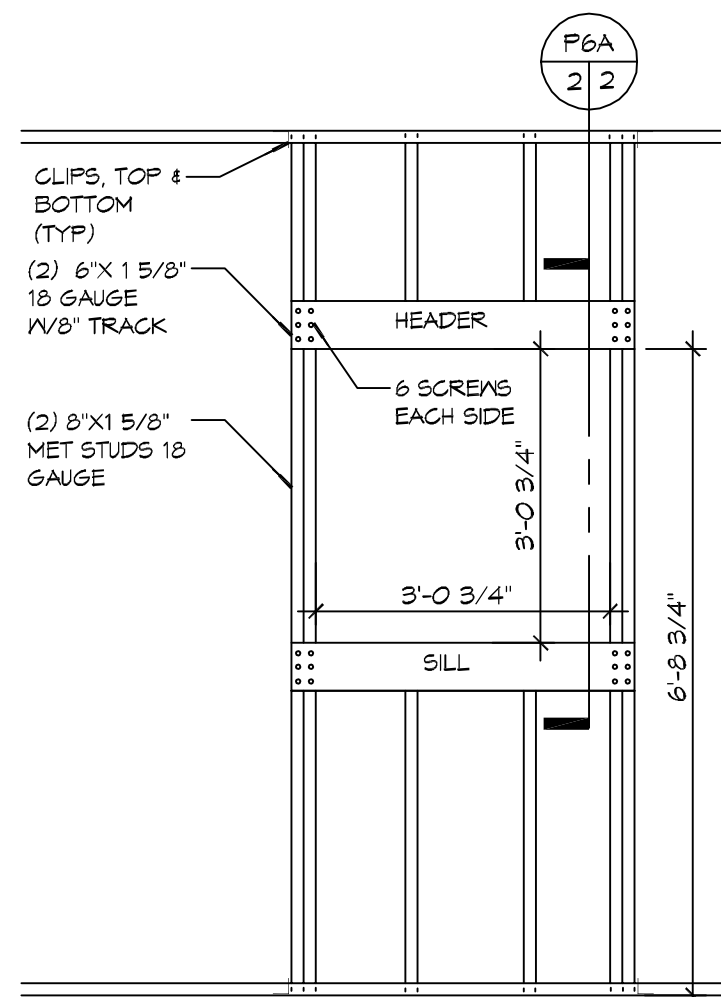
P3 PARTITION



P4 PARTITION

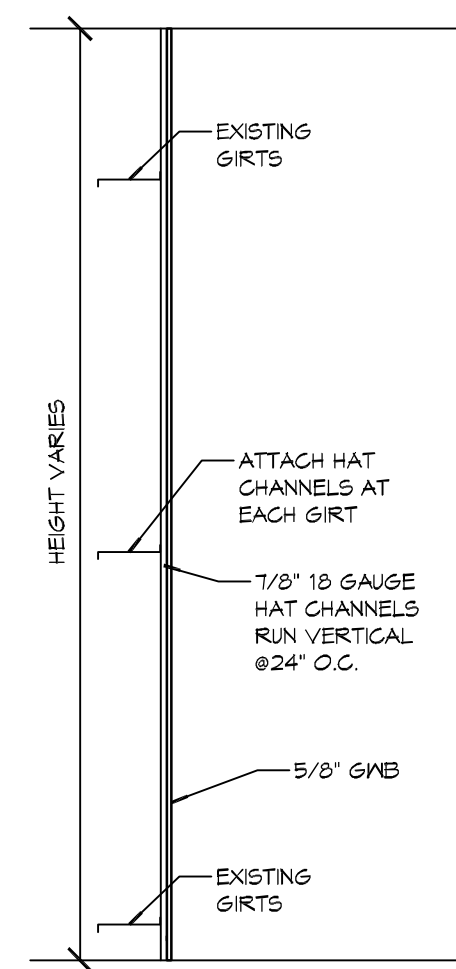
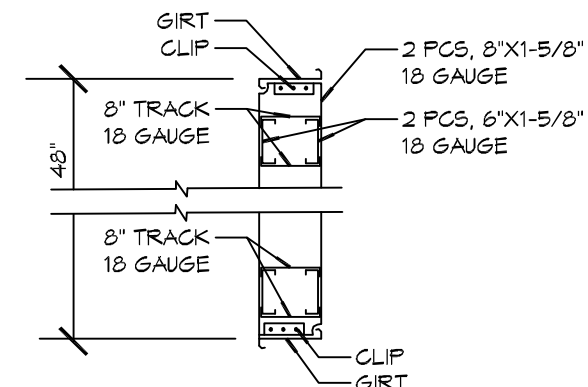


P5 PARTITION

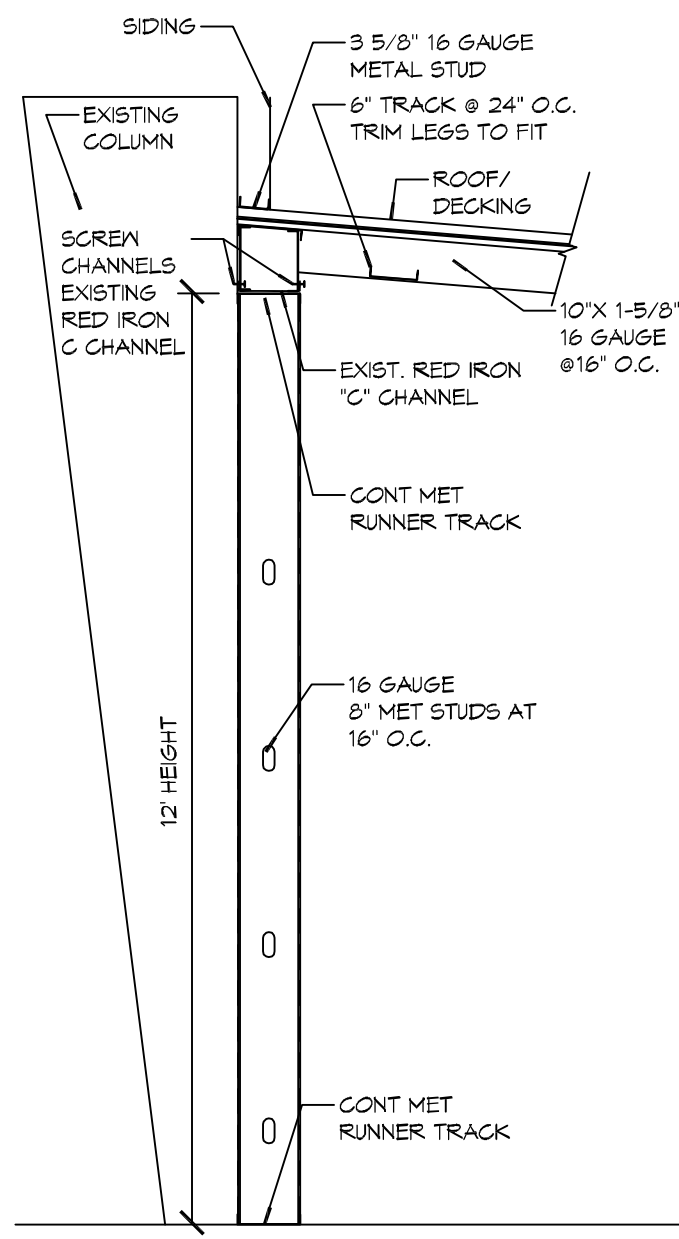


P6 PARTITION

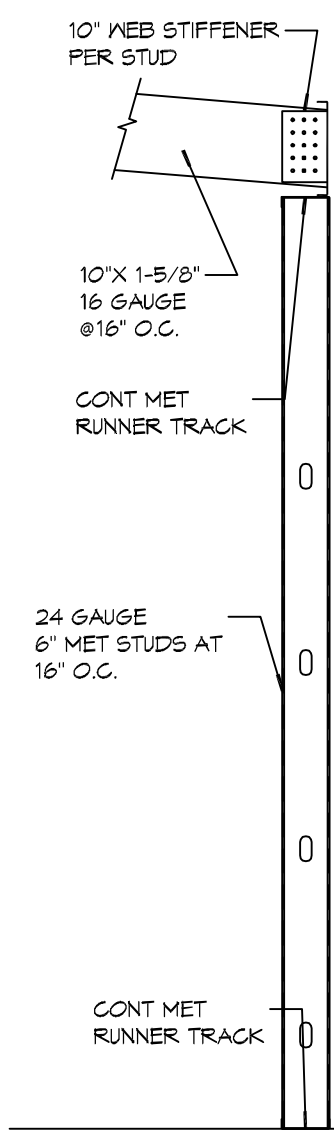
P6A SECTION
SCALE: 1/2" = 1'-0"



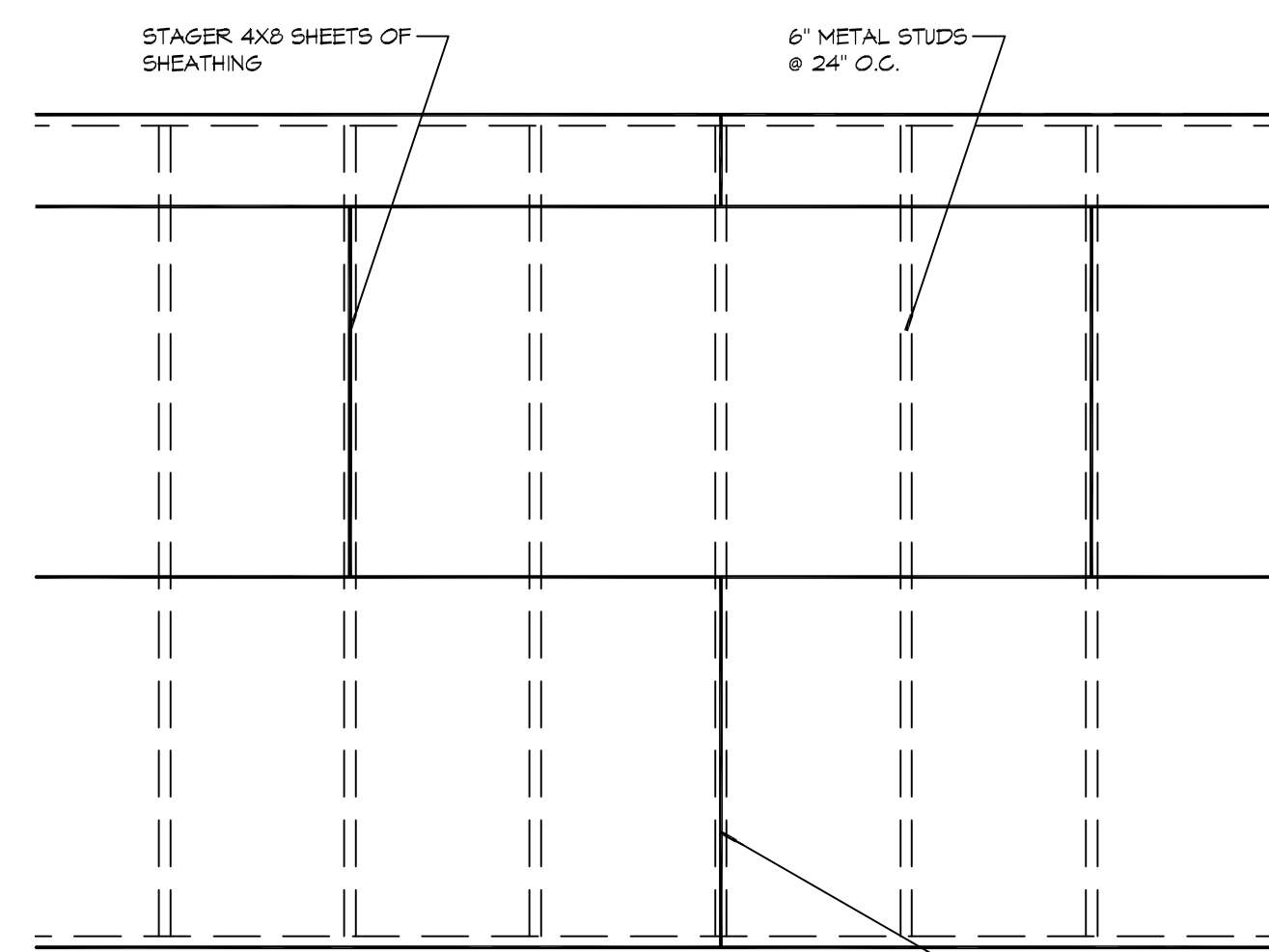
P9 PARTITION



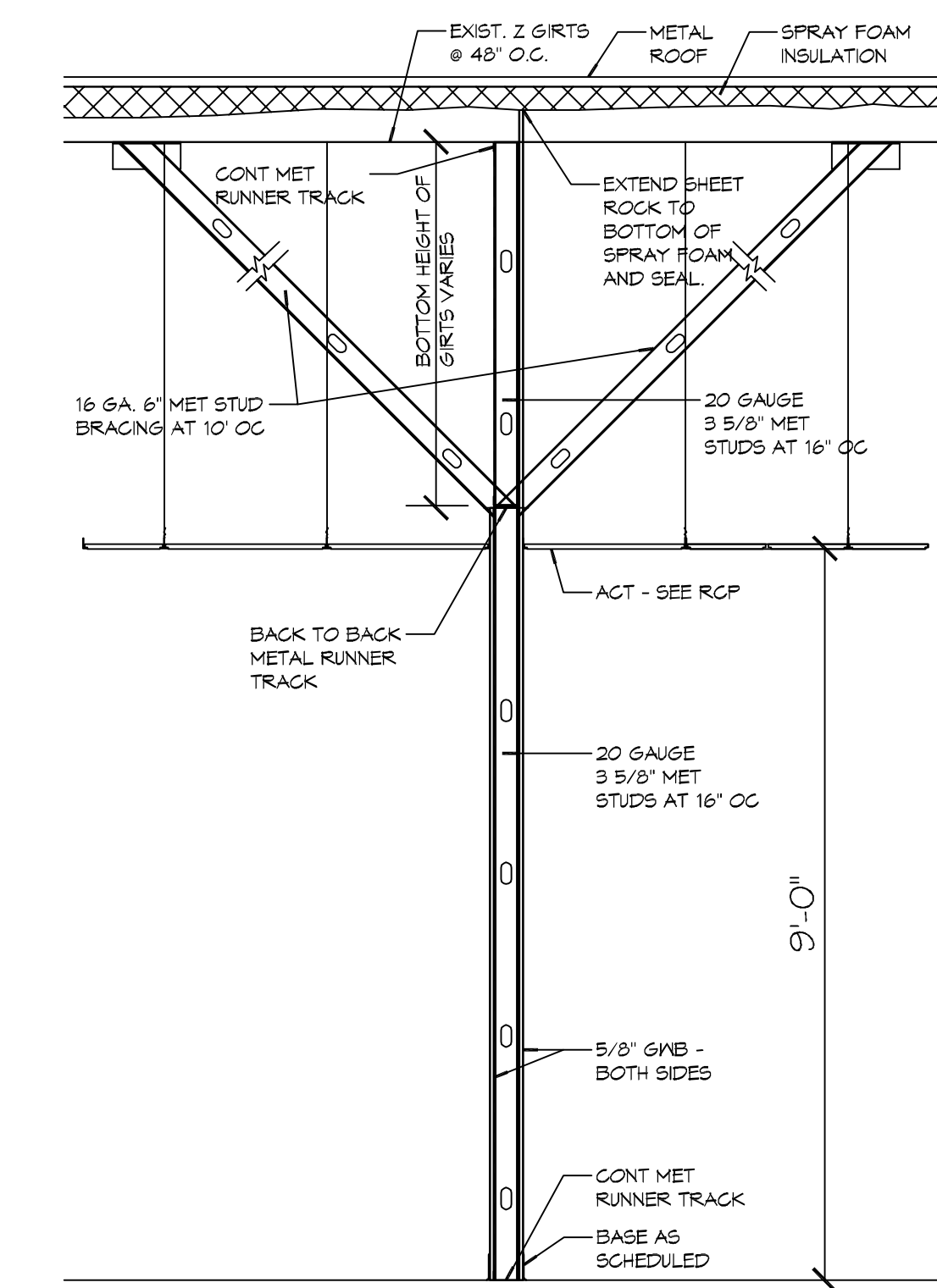
P10 PARTITION



P11 PARTITION



P12 PARTITION



P13 PARTITION

PARTITION TYPES
SCALE: 1/2" = 1'-0"

THIS PLAN IS ONLY VALID ONE YEAR FROM DATE ON PLAN

ACADIAN STRUCTURAL SOLUTIONS, INC.
57362 ALLEN RD, SLIDELL, LA. 70461
PHONE (985) 641-5794 FAX (985) 641-1239
PLANS@ACADIANS.COM

CERT. # 5160

DOTD YARD RENOVATION
ABITA SPRINGS, LA
CONTRACTOR LOCATION

SCALE: AS NOTED	REVISIONS
DATE: 10-12-18	DATE
DRAWN BY: -	
CHK'D BY: HN	
ASS PROJECT #: XXX-XX	

SHEET
2
OF
2