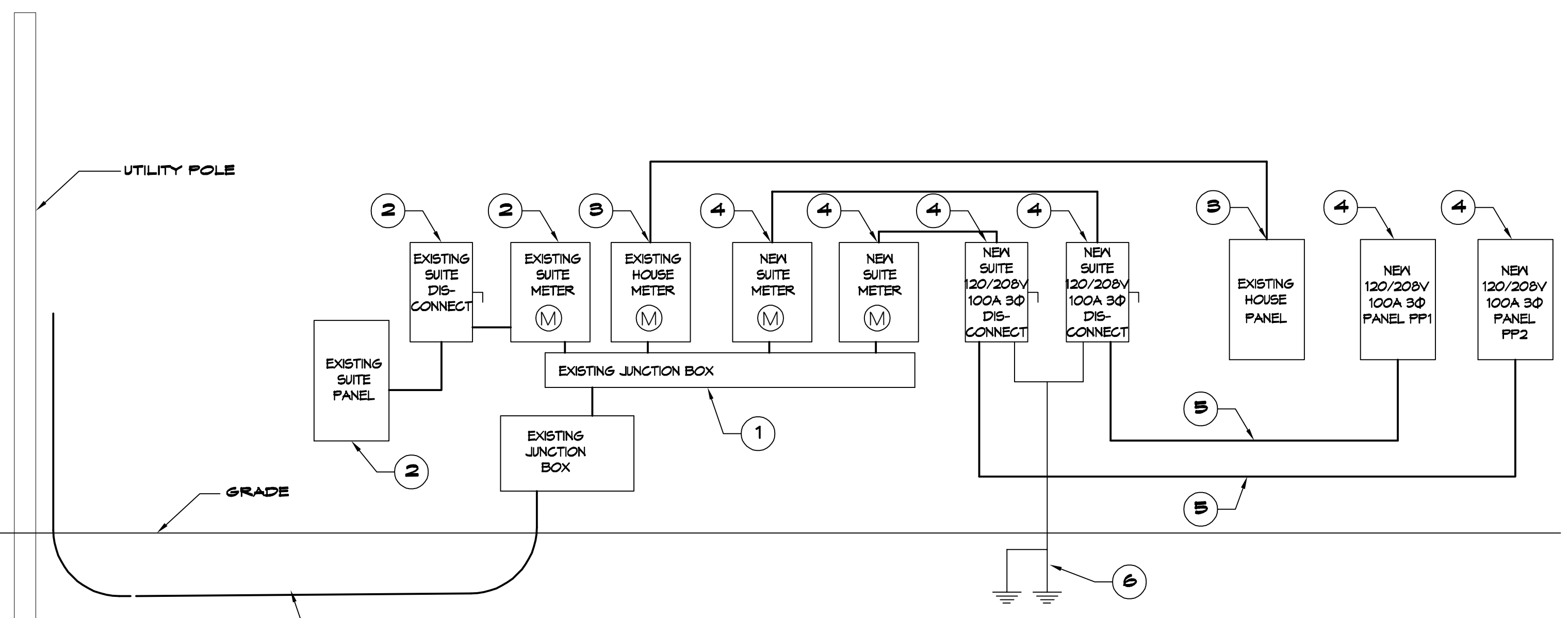


FILE NAME: J:\Projects\14Riser\14Riser.dwg - Date: 12/09/2021 - Time: 10:46:41 AM - User: brian.mistich



**ONE LINE NOTES:**

1. EXISTING 120/208V 3Ø 200A SERVICE AND JUNCTION BOXES.
2. EXISTING SUITE 120/208V 3Ø METER, DISCONNECT AND PANELBOARD TO REMAIN.
3. EXISTING HOUSE 120/208V 3Ø METER AND PANELBOARD TO REMAIN.
4. NEW 120/208V 3Ø 100A METER, DISCONNECT AND PANELBOARD.
5. 4-#2 THHN, 1-#8 GND, 1 1/4" C
6. 2 - 3/4" x 10' CU CLAD GND ROD, #2 CU GND WIRE. PROTECT IN PVC PIPE. CONNECT TO METAL BLDG, COLD WATER SUPPLY & GAS LINE. CAD WELD ALL CONNECTIONS.

**14RISER DIAGRAM**  
SCALE: NONE

PANEL SCHEDULE												
PANEL: PF-80				VOLTAGE: 120/208V 3Ø, 4 WIRE				ENCLOSURE: SURFACE MOUNTED, 100 AMP, 1V EQUIP GND BAR, 80 D TYPE GO LOAD CENTER				
LOCATION: BACK HALL OF SUITE 3				FEEDER SOURCE:								
CKT NO	THHN WIRE SIZE	LOAD DESCRIPTION	BREAKER	LOAD (kva)	AD BO CO			LOAD (kva)	BREAKER	LOAD DESCRIPTION	THHN WIRE SIZE	CKT NO
		LOCATION	AMP		POLE	POLE	AMP		LOCATION			
1				3.8				2.6				2
3	#8	SUITE 3 HVAC UNIT, AHU #1 KW/HEAT	35 3	3.8				2.6	3 30		#10	4
5				3.8				2.6				6
7	#12	SUITE 3 LIGHTS, TREATMENT ROOM AND RESTROOM	20 1	2.8				3.4	1 30		#10	8
4	#12	SUITE 3 RECEPTACLES, TREATMENT ROOM	20 1	1.1				-	- -			10
11	-	SPARE	- -	-				-	- -			12
13	-	SPARE	- -	-				-	- -			14
15	-	SPARE	- -	-				-	- -			16
17	-	SPARE	- -	-				-	- -			18
19	-	SPARE	- -	-				-	- -			20
21	-	SPARE	- -	-				-	- -			22
23	-	SPARE	- -	-				-	- -			24
SOLID NEUTRAL NEUTRAL WIRE (N)				TOTAL CONNECTED LOAD (kva) = 26.0				GROUND BUS GROUND WIRE (G)				
				AD = 11.5    BO = 4.5    CO = 6.4								

PANEL SCHEDULE												
PANEL: PF-82				VOLTAGE: 120/208V 3Ø, 3 WIRE				ENCLOSURE: SURFACE MOUNTED, 100 AMP, 1V EQUIP GND BAR, 80 D TYPE GO LOAD CENTER				
LOCATION: BACK HALL OF SUITE 2				FEEDER SOURCE:								
CKT NO	THHN WIRE SIZE	LOAD DESCRIPTION	BREAKER	LOAD (kva)	AD BO CO			LOAD (kva)	BREAKER	LOAD DESCRIPTION	THHN WIRE SIZE	CKT NO
		LOCATION	AMP		POLE	POLE	AMP		LOCATION			
1				3.8				2.6				2
3	#8	SUITE 2 HVAC UNIT, AHU #1 KW/HEAT	35 3	3.8				2.6	3 30		#10	4
5				3.8				2.6				6
7	#12	SUITE 2 LIGHTS, TREATMENT ROOM AND RESTROOM	20 1	3.2				0.4	1 20		#12	8
4	#12	SUITE 2 RECEPTACLES, TREATMENT ROOM	20 1	1.1				0.4	1 20		#12	10
11	#10	SUITE 2 TANKLESS WATER HEATER, RESTROOM	30 1	3.4				-	- -			12
13	-	SPARE	- -	-				-	- -			14
15	-	SPARE	- -	-				-	- -			16
17	-	SPARE	- -	-				-	- -			18
14	-	SPARE	- -	-				-	- -			20
21	-	SPARE	- -	-				-	- -			22
23	-	SPARE	- -	-				-	- -			24
SOLID NEUTRAL NEUTRAL WIRE (N)				TOTAL CONNECTED LOAD (kva) = 26.2				GROUND BUS GROUND WIRE (G)				
				AD = 8.5    BO = 7.1    CO = 9.8								

**DAMMON ENGINEERING, INC.**  
LOUISIANA & MISSISSIPPI

Chief Engineer: Brian Mistich, PE  
554 Old Spanish Trail  
Slidell, LA 70458  
www.dammonengineering.com  
info@dammonengineering.com  
PH: 985.649.8832

REVISIONS	DATE
# DESCRIPTION	



**RENOVATION ACTION PHYSICAL THERAPY & SPORTS MEDICINE**

107 SOUTH MILITARY RD.  
SLIDELL, LA 70461

JOB NO: 2451    DATE: 12-09-2021  
DRAWN BY: AEP    CHECKED BY: CAD

SHEET TITLE:  
PANEL SCHEDULE, ONE LINE DIAGRAM AND ELEC. LOAD SUMMARY

DRAWING NUMBER:

**E102**