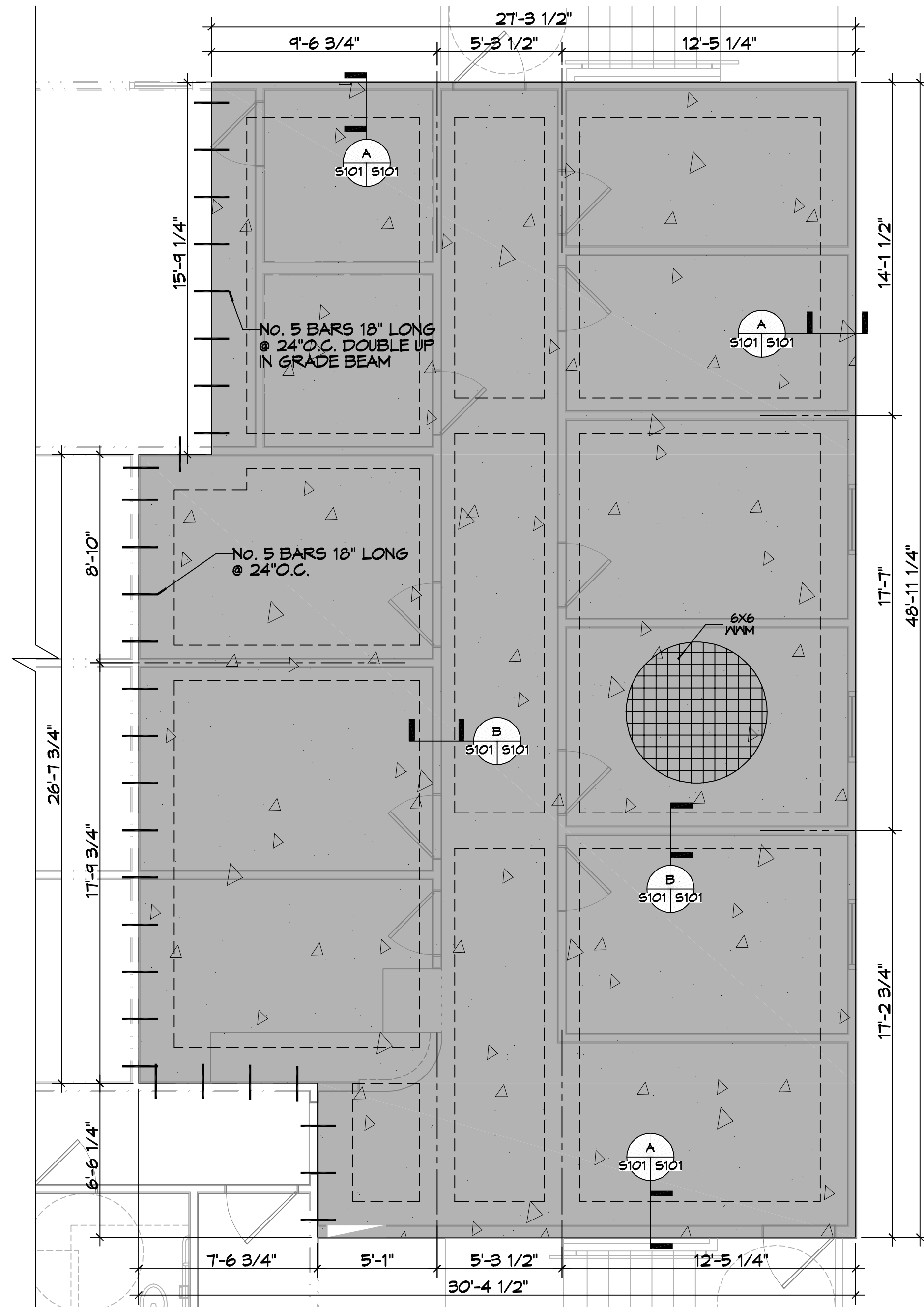
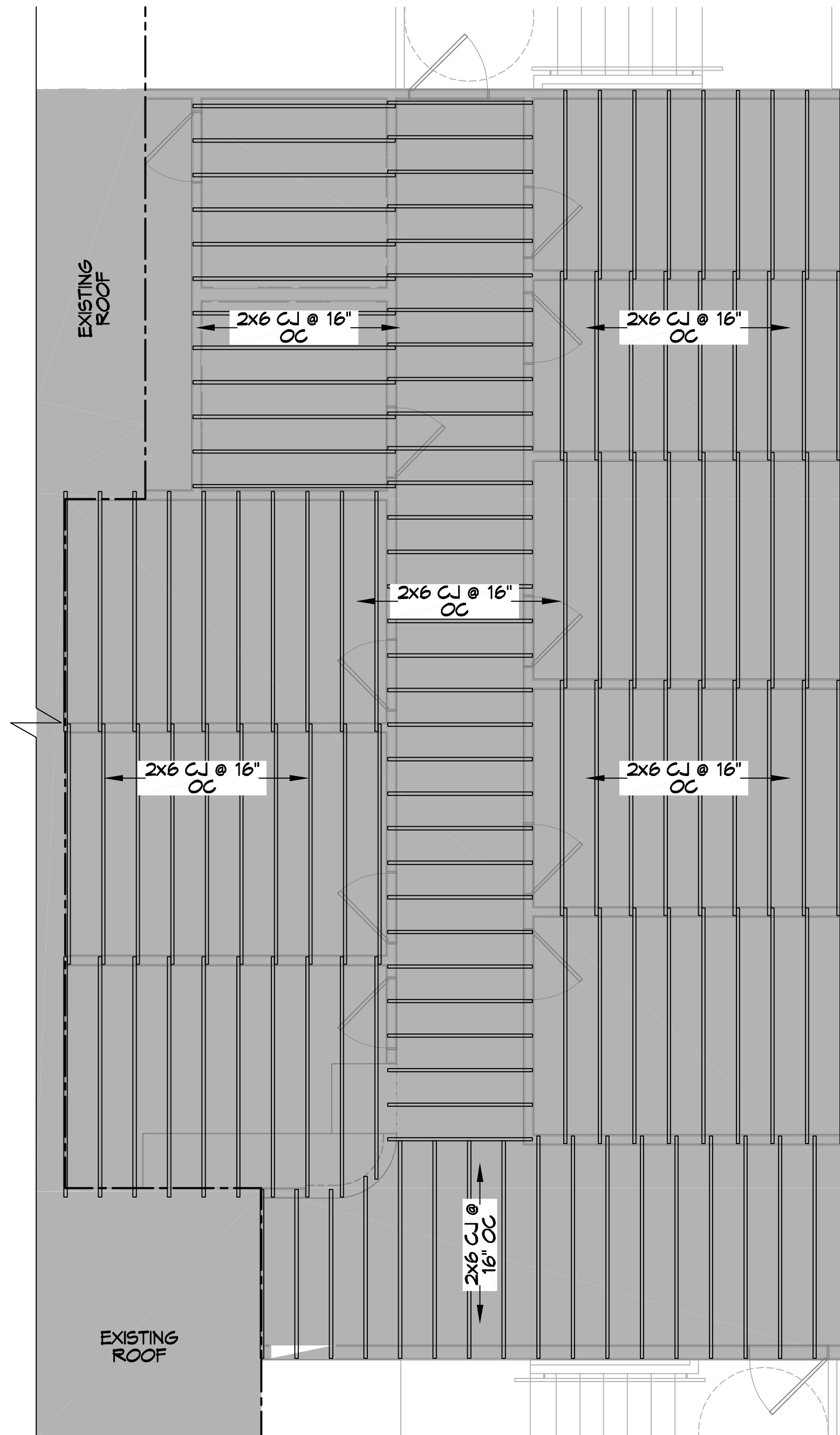


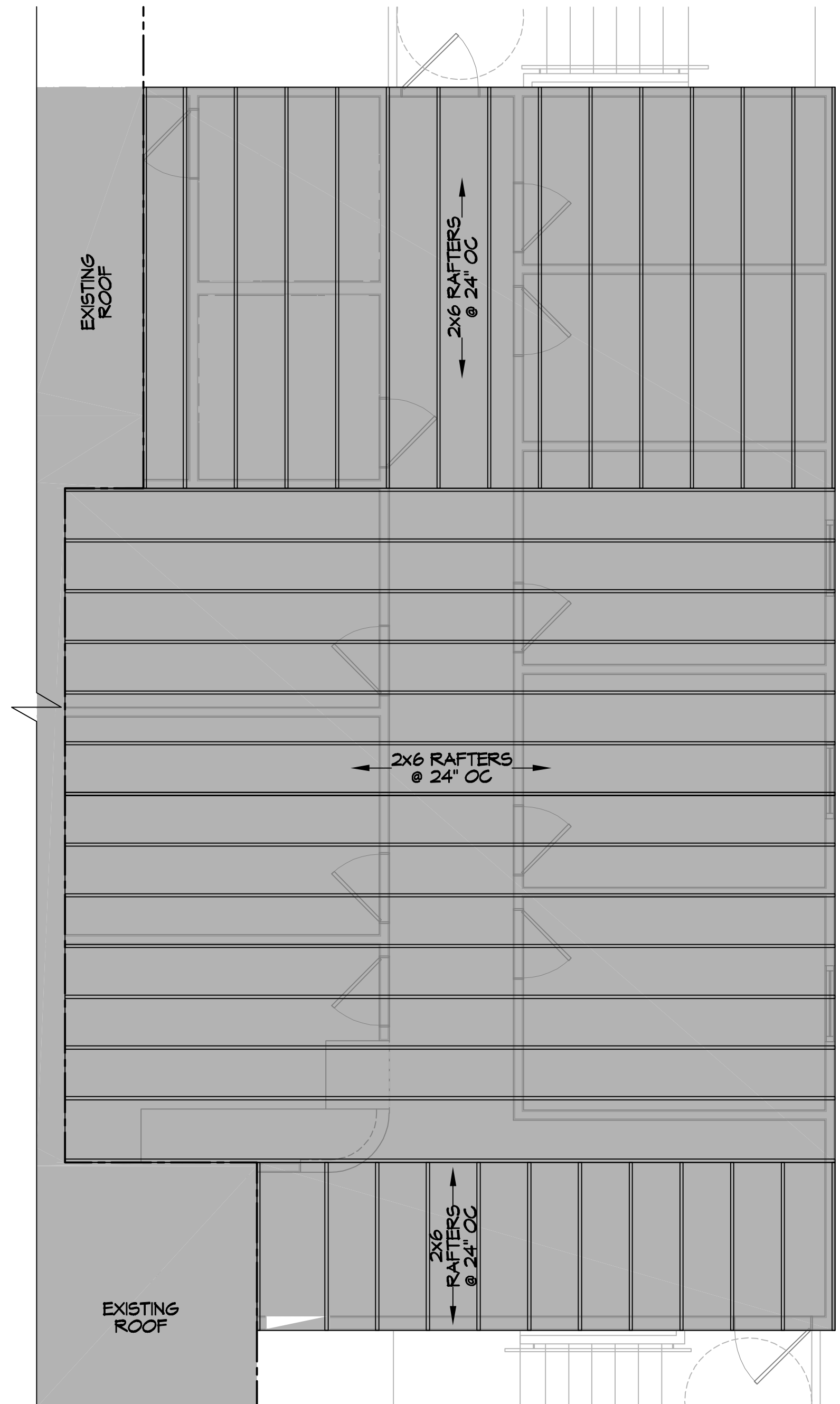
D.E. DAMMON, INC. - ENGINEER OF RECORD FOR THIS PROJECT. ALL RIGHTS RESERVED. PROJECT NO. 04-30-2022. 12/20/22.



**7 FOUNDATION PLAN**  
SCALE: 1/4"=1'-0"



**8 CEILING FRAMING**  
SCALE: 1/4"=1'-0"



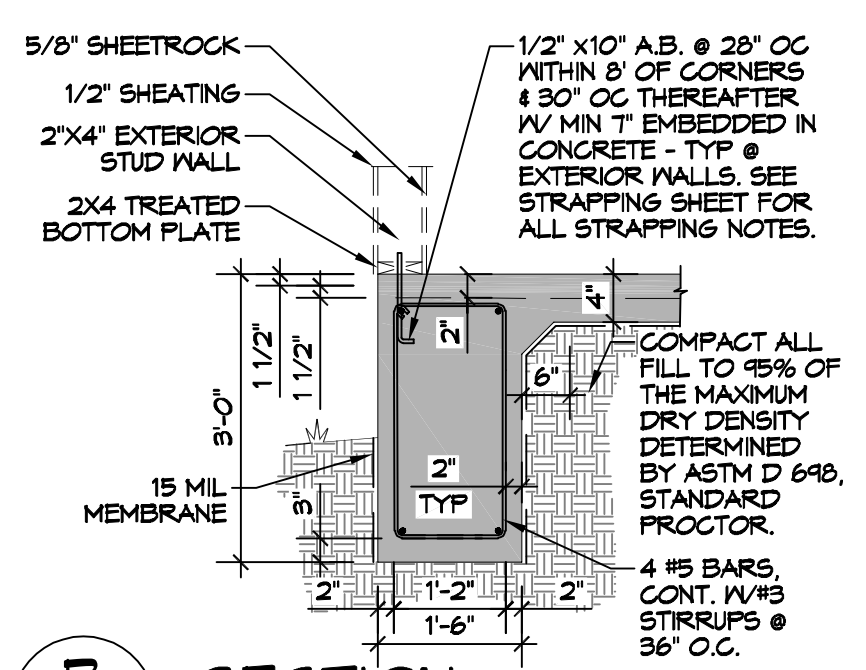
**9 ROOF FRAMING**  
SCALE: 1/4"=1'-0"

DO NOT PLACE SPLICES(S) WITHIN 3 FEET OF STRUCT COLUMNS

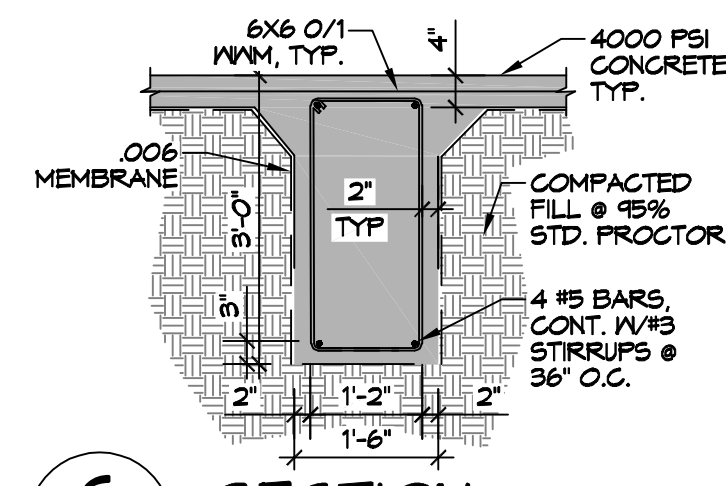
TIE WIRE AROUND SPLICED MEMBERS @ 6" O.C. & WITHIN 3" OF END(S)

LAP SPLICE 50 X BAR Ø

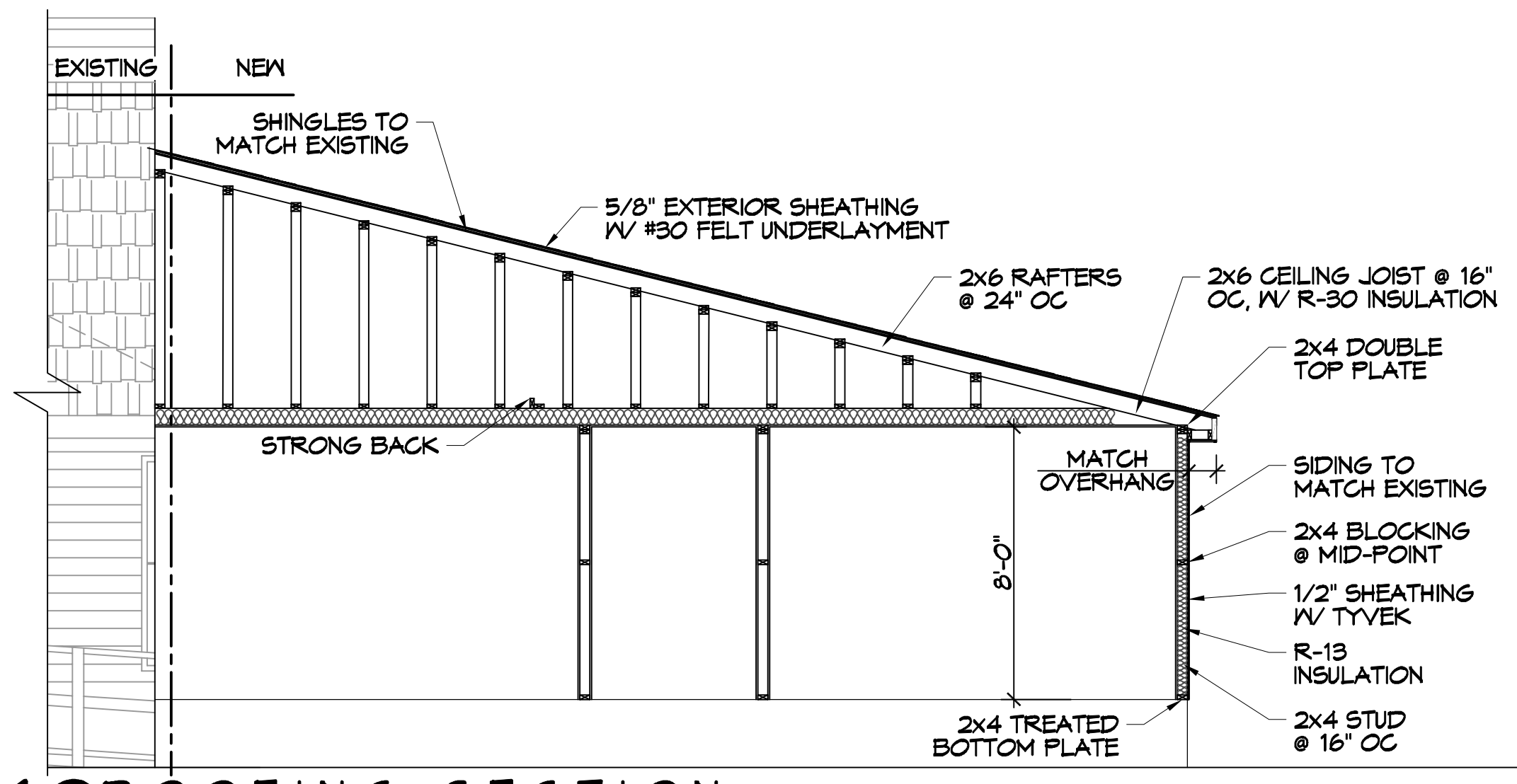
**A SPLICE DETAIL**  
SCALE: 1/2"=1'-0" TYPICAL



**B SECTION**  
SCALE: 1/2"=1'-0"



**C SECTION**  
SCALE: 1/2"=1'-0"



**10 ROOFING SECTION**  
SCALE: 1/4"=1'-0"

**GENERAL FOUNDATION NOTES**

- ALL DIMENSIONS ARE EDGE OF CONCRETE (EOC) TO EDGE OF CONCRETE (EOC) UNLESS NOTED OTHERWISE.
- VERIFY ALL PLUMBING ROUGH-IN LOCATIONS ON ARCHITECTURAL DWGS.
- CONCRETE MIX SHALL HAVE A MINIMUM COMPRESSIVE STRENGTH OF 4000 PSI AT 28 DAYS. CONCRETE MIX SHALL BE IN ACCORDANCE WITH ACI-318.
- ALL CONVENTIONAL REINFORCING STEEL SHALL MEET ASTM-A615 (GRADE 60).
- ONE LAYER OF POLYETHYLENE VAPOR BARRIER SHALL BE PLACED UNDER ALL CONCRETE. VAPOR RETARDER TO BE MINIMUM 10 MIL THICKNESS; ASTM E 1745 CLASS A, PERMEANCE LESS THAN 0.01 FERMS, EQUAL TO STEGO INDUSTRIES STEGO WRAP, ECOSHIELD-E 15 MIL BY EPRO, OR IRONBAR 15 BY FLATIRON FILMS, PROVIDE APPROPRIATE ACCESSORIES FOR A COMPLETE SYSTEM.
- ALL REINFORCING STEEL AND MESH SHALL BE SECURELY SUPPORTED TO PREVENT BOTH VERTICAL AND HORIZONTAL MOVEMENT DURING CONCRETE PLACEMENT.
- THE CONTRACTOR SHALL VERIFY ALL DROPS, OFFSETS, BRICK LEDGES, DIMENSIONS AND CONFIGURATIONS. CONTRACTOR MUST BE RESPONSIBLE FOR SAME.
- GRADE BEAM DIMENSIONS MAY VARY BY -5%, +20%.
- NEW SPREAD CONCRETE FOOTINGS AND CONTINUOUS FOOTINGS, BEARING ON COMPACTED STRUCTURAL FILL AT LEAST 2 FEET BELOW FINISHED GRADE, SHOULD BE DESIGNED FOR MINIMUM NET ALLOWABLE BEARING PRESSURES OF 1200 PSF AND 2000 PSF, RESPECTIVELY, BASED ON DEAD LOADS AND DESIGN LIVE LOADS.
- ALL SOIL BELOW SLAB SHALL RECEIVE TERMITE TREATMENT.

**DAMMON ENGINEERING, INC.**  
 LOUISIANA & MISSISSIPPI  
 Chief Engineer: Brian Mistich, PE  
 554 Old Spanish Trail  
 Slidell, LA 70458  
 www.dammonengineering.com  
 info@dammonengineering.com  
 PH: 985.649.5832

#	DESCRIPTION	DATE



IS  
 TN  
 LO  
 AI  
 LS  
 AO  
 UL  
 LS

SHEET TITLE:  
**FOUNDATION PLAN**

DRAWING NUMBER:  
**S101**

SHEET No: 4 of 12

DATE: 04-30-2022  
 CHECKED BY: CKD  
 DRAWN BY: TNT

56684 BOSWORTH ST.  
 SLIDELL, LA 70458