

LIFE-SAFETY INFORMATION

APPLICABLE CODES
 NFPA 101 LIFE-SAFETY CODE 2015
 OCCUPANCY TYPE(S) AND CHAPTER(S)
 BUSINESS (CHAPTER 38)
 MULTIPLE, MIXED, OR SEPARATE OCCUPANCY (REFERENCE CHAPTER 6)
 N/A
OCCUPANT LOAD FACTOR (REFERENCE TABLE 7.3.1.2)
 4,791 SF / 100 SF PER OCCUPANT = 49 OCCUPANTS

CLASSIFICATION OF HAZARD OF CONTENTS
 (REFERENCE: OCCUPANCY CHAPTER AND 8.2.2: SPECIFY LOW, ORDINARY, OR HIGH)
CONSTRUCTION TYPE(S) (REFERENCE: CHAPTER 8, TABLE A.8.2.1.2 AND COMMENTARY TABLE 8.1 IN HANDBOOK)
 V
MINIMUM EXIT SEPARATION DISTANCE FOR REMOTELY LOCATED EXITS
 (REFERENCE: SECTION 7.5; SPECIFY 1/2 OR 1/3 DIAGONAL DISTANCE OF AREA SERVED)
 1/3 DIAGONAL = 24'-10"
MAXIMUM DEAD-END CORRIDORS (REFERENCE: OCCUPANCY CHAPTER AND TABLE A.7.6)
 50'
MAXIMUM COMMON PATH OF TRAVEL DISTANCE (REFERENCE: OCCUPANCY CHAPTER AND TABLE A.7.6)
 100'
MAXIMUM TRAVEL DISTANCE TO EXITS (REFERENCE: OCCUPANCY CHAPTER AND TABLE A.7.6)
 300'
 *MAIN ENTRANCE MUST BE SIGNED TO ACCOMMODATE 1/2 OCCUPANT LOAD OF BUILDING

EXTINGUISHMENT REQUIREMENTS NOT SPRINKLERED
DETECTION, ALARM, AND COMMUNICATION SYSTEMS NO
ALLOWABLE HEIGHT AND BUILDING AREA PER IBC EQUIVALENT CONSTRUCTION TYPE

BUILDING CODE INFORMATION

APPLICABLE CODES
 IBC 2015
BUSINESS GROUP B (IBC 2012 CHAPTER 19)
OCCUPANT LOAD CALCULATIONS (TABLE 1004.1.1)
 BUSINESS = 4,791 SQ FT 100 SF PER OCCUPANT (GROSS) 49 OCCUPANTS
CONSTRUCTION TYPE(S) (TABLE 504)
 VB (SECTION 504)

ALLOWABLE HEIGHT AND BUILDING AREA LIMITED BY TYPE OF CONSTRUCTION
 MAXIMUM HEIGHT IN STORIES (SECTION 504.4) 2
 MAXIMUM AREA IN SQUARE FEET (SECTION 503, 506 & 507, TABLE 503) 9,000

WIND SPEED DESIGN REQUIREMENTS

THIS BUILDING SHALL BE DESIGNED WITH IBC SEC 1604 AS A FULLY ENCLOSED BLDG USING THE FOLLOWING INFORMATION:
 WIND DESIGN DATA:
 DETERMINATION OF WIND LOADS SHALL BE IN ACCORDANCE WITH IBC SEC 1604.3 (1), (2), OR (3) DEPENDING ON THE RISK CATEGORY
 WIND SPEED Vult (3 SECOND GUST) = 131 MPH (IBC FIG 1604.3(1))
 NOMINAL DESIGN WIND SPEED Vwd = 102 MPH (Vult x (0.6)^{1/2})
 RISK CATEGORY: CATEGORY II BLDG SURFACE ROUGHNESS = B
 TOPOGRAPHIC FACTOR = 1 EXPOSURE = B
 DESIGN WIND PRESSURE (ASCE 7-10 TABLE 26.6-1): 31.7 PSF
 INTERNAL PRESSURE COEFFICIENT (ASCE 7-10 TABLE 26.11-1): ± 0.18
LIVE LOADS (IBC SEC 1607):
 OFFICE LOBBIES & CORRIDORS 1ST FLOOR (IBC TABLE 1607.1): 100 PSF
 OFFICES (IBC TABLE 1607.1): 50 PSF
 ROOF LIVE LOADS (IBC TABLE 1607.1): 20 PSF UNIFORM, 300 LB CONCENTRATED
SNOW LOADS (IBC SEC 1608):
 GROUND SNOW LOAD (IBC FIG 1608.2): 5 PSF

FLOOD ZONE INFORMATION

BASED ON THE SURVEY OF THIS PROPERTY BY JY BURKES THIS PROPERTY IS IN FLOOD 'AS'
 FIRM, COMMUNITY NO. 225205 0420 E dated 4-21-1999
 FLOOD ZONE: A5 BASE FLOOD ELEVATION 9.0'

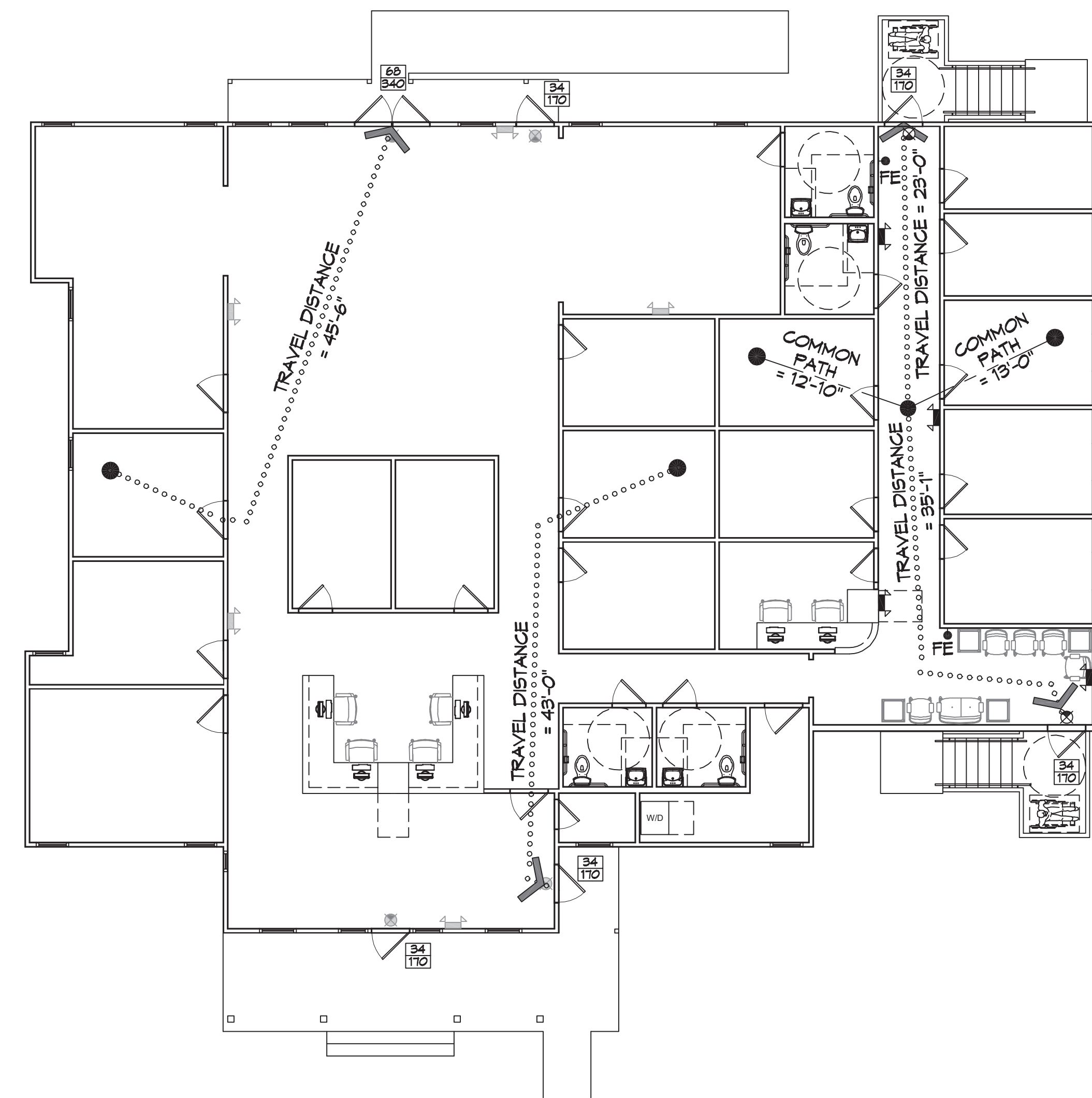
LIFE-SAFETY LEGEND

SYMBOL	DESCRIPTION
>	EXITS
45	DOOR FIRE RATING (MINUTES)
36 110	DOOR WIDTH/EGRESS CAPACITY
⊗	EXIT LIGHT
FE	FIRE EXTINGUISHER IV WALL MTD BRACKET
-----	COMMON PATH OF TRAVEL
.....	TRAVEL DISTANCE
●	DECISION POINT

PROJECT DESCRIPTION

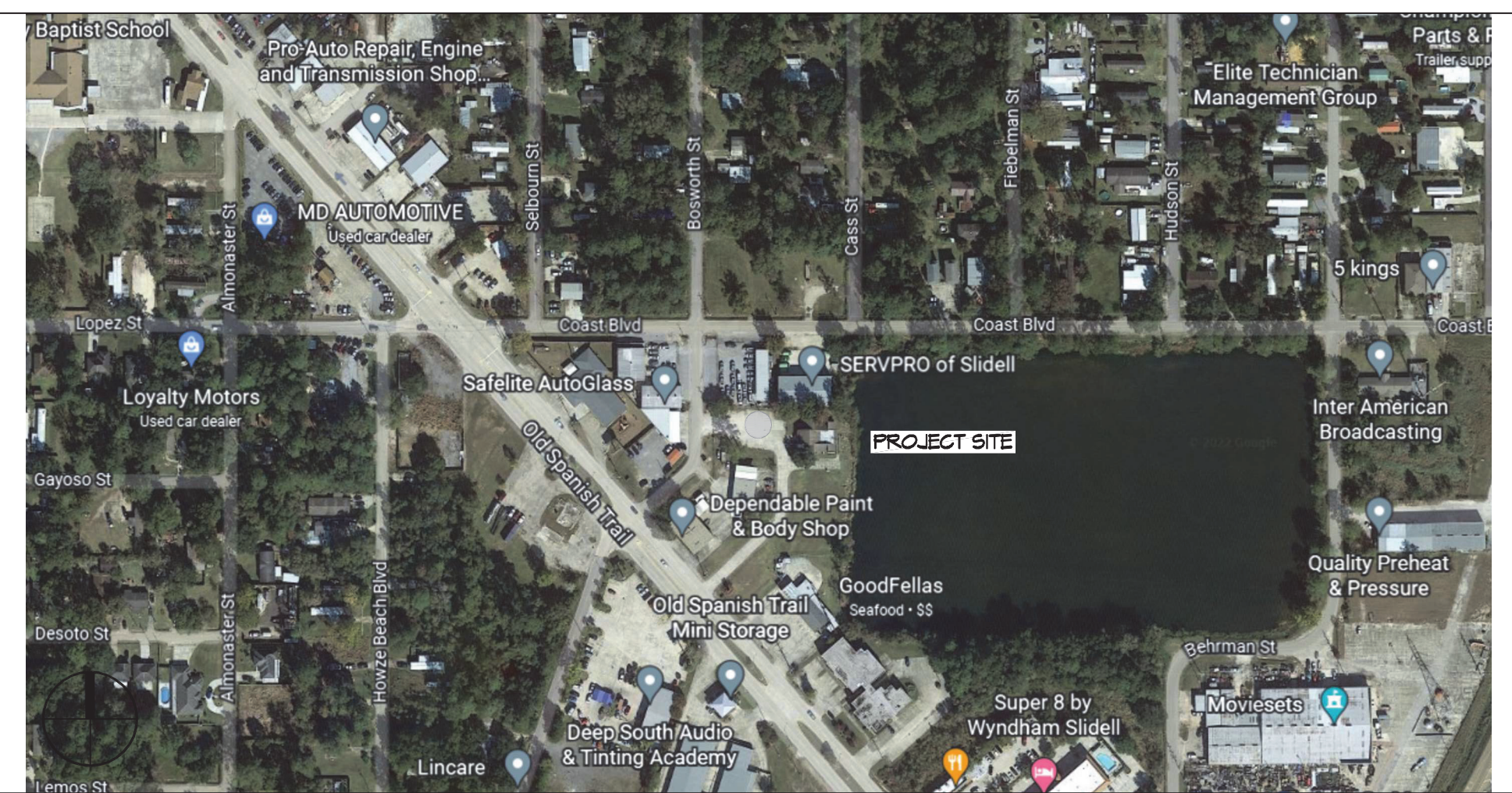
THIS IS AN EXISTING PHYSICAL THERAPISTS OFFICE CONSISTING OF 3401 SQ. FT. WOOD FRAME BUILDING. THE ADDITION WILL BE 1390 SQ. FT. BRINGING IT TO A TOTAL 4791 SQ. FT.

DR. LYLE LA HEALTH SOLUTIONS



LIFE-SAFETY PLAN
 SCALE: 1/8" = 1'-0"

VICINITY MAP



SHEET INDEX

SHEET #	SHEET TITLE
G101	GENERAL INFORMATION SHEET
G102	ACCESSIBILITY INFORMATION
C101	SITE PLAN
S101	FOUNDATION AND FRAMING PLAN
A101	FLOOR PLAN
A102	EXTERIOR ELEVATIONS
A103	REFLECTED CEILING PLAN
A104	TYPICAL CONNECTION DETAILS
P101	PLUMBING PLAN
M101	MECHANICAL PLAN
E101	POWER PLAN
E102	LIGHTING PLAN AND POWER PANEL SCHEDULE

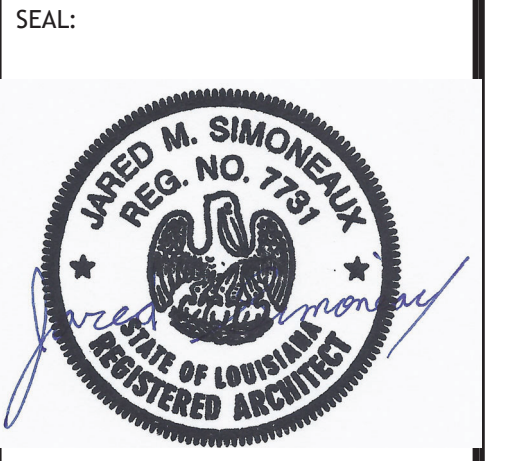
GENERAL NOTES

- ALL MATERIALS AND WORK, INCIDENTAL TO THE CONSTRUCTION OF THIS PROJECT, SHALL CONFORM TO ALL GOVERNING CODES, AND REGULATIONS OF AGENCIES IN AUTHORITY.
- CONTRACTOR SHALL PROVIDE ALL PUBLIC PROTECTIONS NECESSARY AS REQUIRED BY LAW.
- THE DRAWINGS AND ANY SUBSEQUENTLY ISSUED ADDENDA, AMENDMENTS OR SUCH CHANGE ORDERS APPROVED BY THE OWNER AND THE CONTRACTOR ARE PART OF THESE CONTRACT DOCUMENTS.
- DO NOT SCALE DRAWINGS. CONSULT WITH THE ENGINEER REGARDING ANY ITEMS IN THE CONTRACT DOCUMENTS THAT REQUIRE CLARIFICATION.
- TRASH SHALL BE REMOVED FROM THE SITE NOT LESS THAN TWICE MONTHLY.
- THE GENERAL CONTRACTOR SHALL VERIFY EXISTING CONDITIONS PRIOR TO COMMENCING WORK AND REPORT ANY AND ALL DISCREPANCIES TO THE ARCHITECT.
- CONTRACTOR VEHICLES AND EQUIPMENT NECESSARY FOR CONSTRUCTION MAY BE PARKED ON THE SITE. OTHER VEHICLES PARKED ON THE SITE REQUIRE THE OWNER'S PERMISSION.
- ALL MATERIALS/EQUIPMENT SHALL BE INSTALLED PER MANUFACTURERS RECOMMENDATIONS. WORK NOT CONSISTENT WITH MANUFACTURERS RECOMMENDATIONS WILL BE REJECTED BY OWNER/ARCHITECT.

DAMMON ENGINEERING, INC.
 LOUISIANA & MISSISSIPPI
 Chief Engineer: Brian Alstich, PE
 554 Old Spanish Trail
 Slidell, LA 70458
 www.dammonengineering.com
 info@dammonengineering.com
 PH: 985.649.5832

REVISIONS

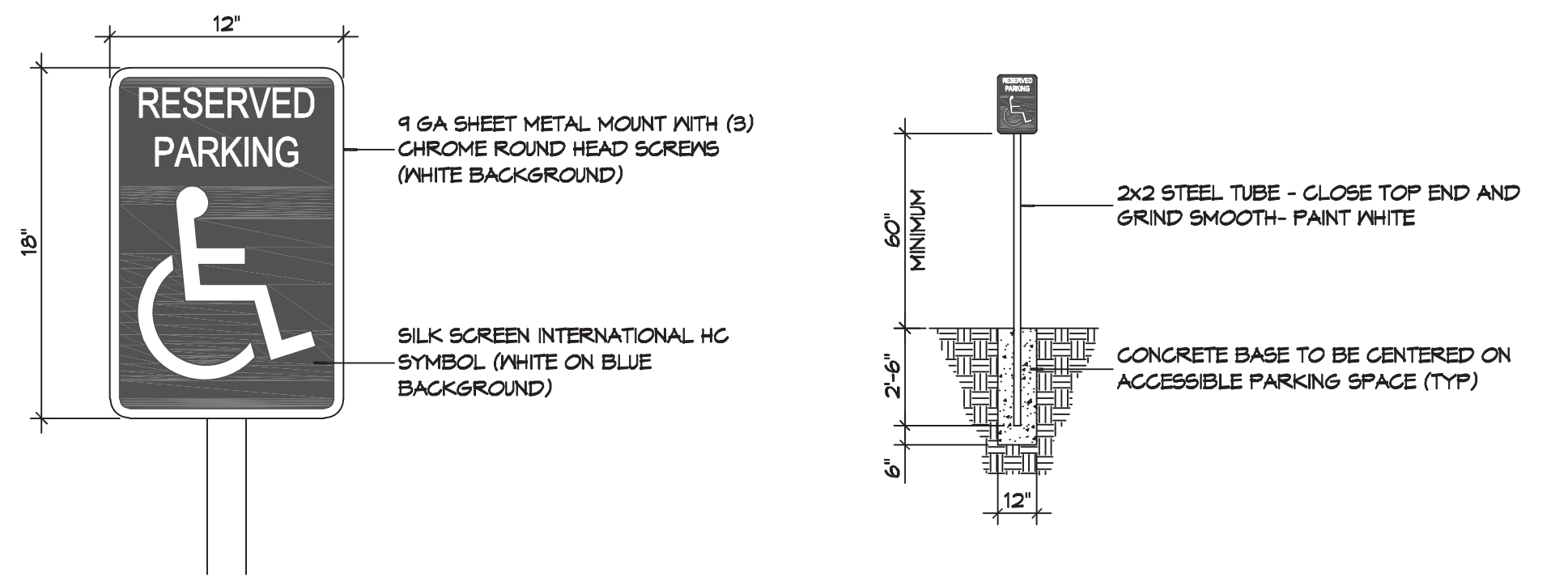
DATE	DESCRIPTION



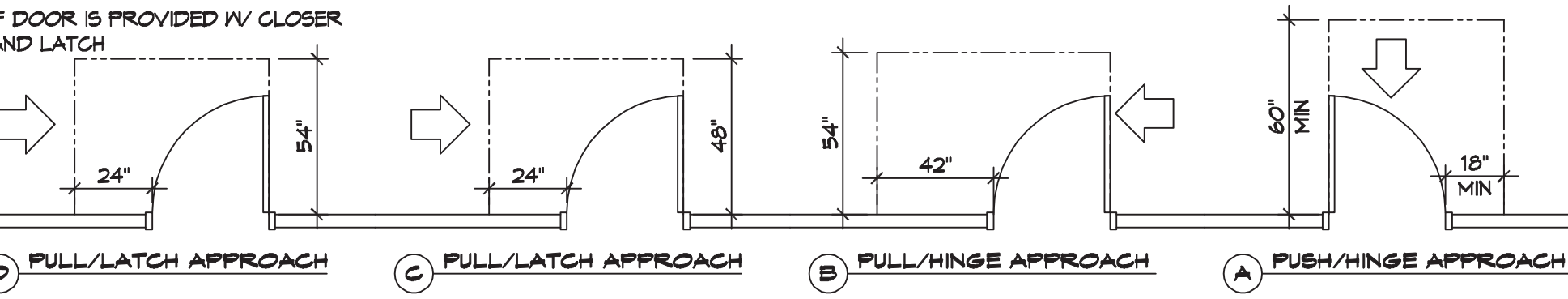
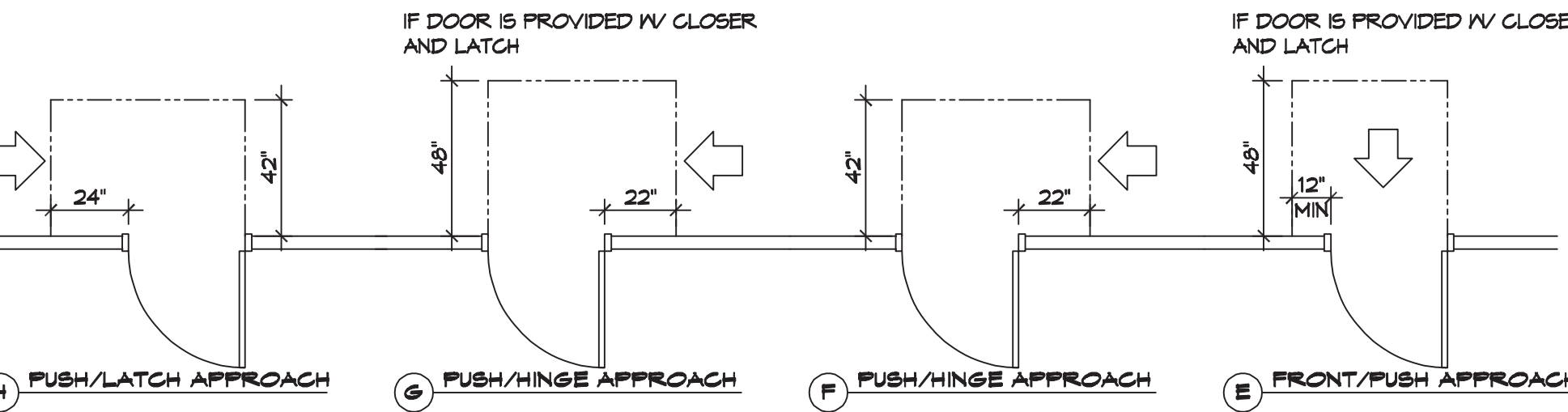
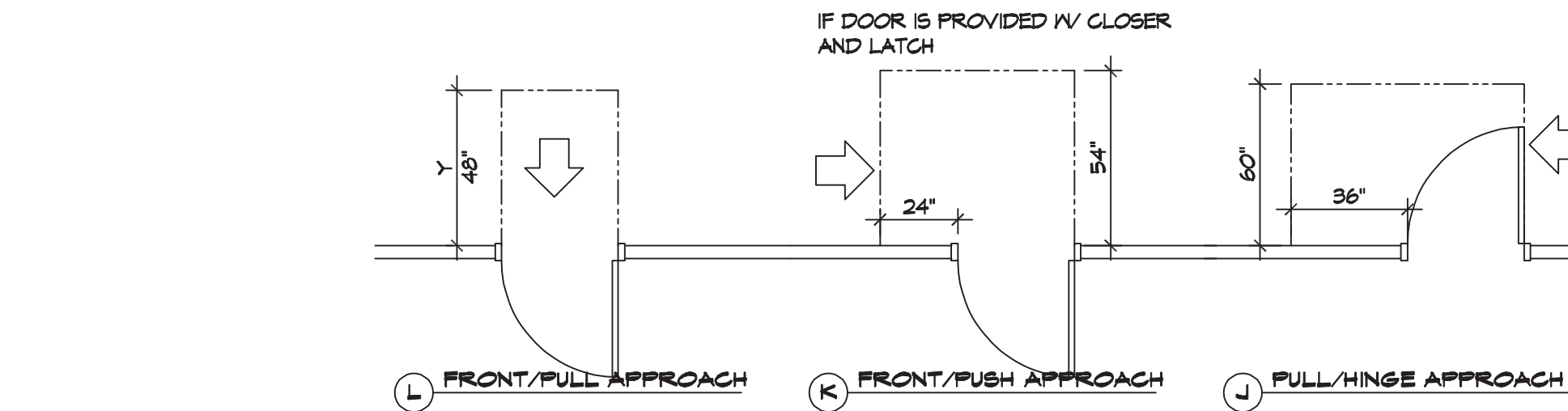
ALTONS
 56694 BOSWORTH ST.
 SLIDELL, LA 70458
 JOB NO: 04-20-2022
 DATE: 04-20-2022
 CHECKED BY: CKD
 DRAWN BY: JMS

SHEET TITLE:
 GENERAL INFORMATION SHEET
 DRAWING NUMBER:
G101
 SHEET No: 1 of 12

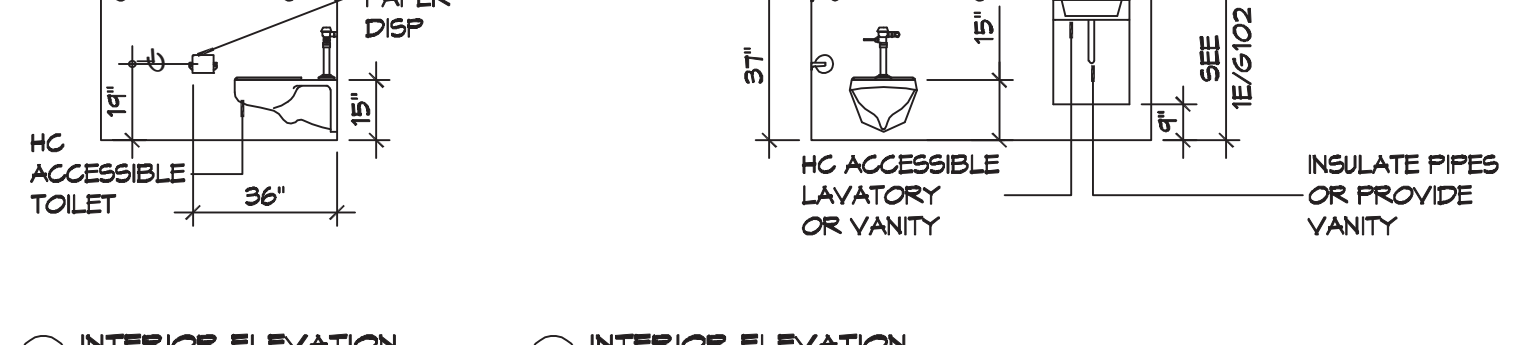
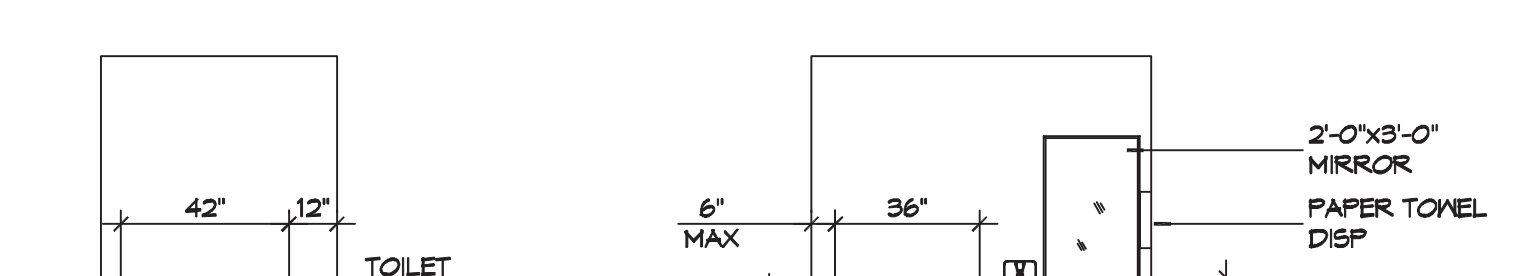
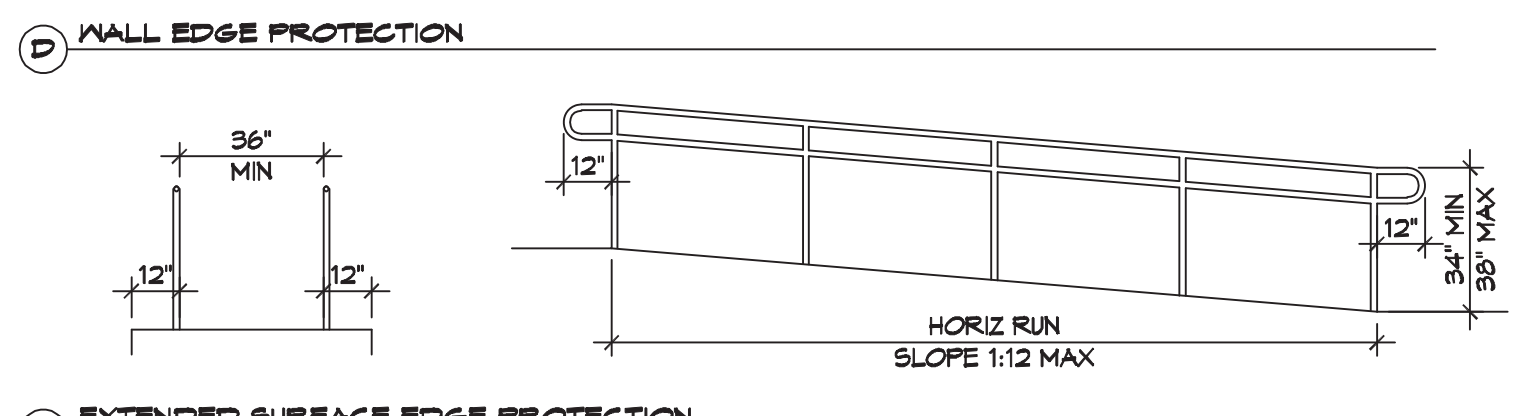
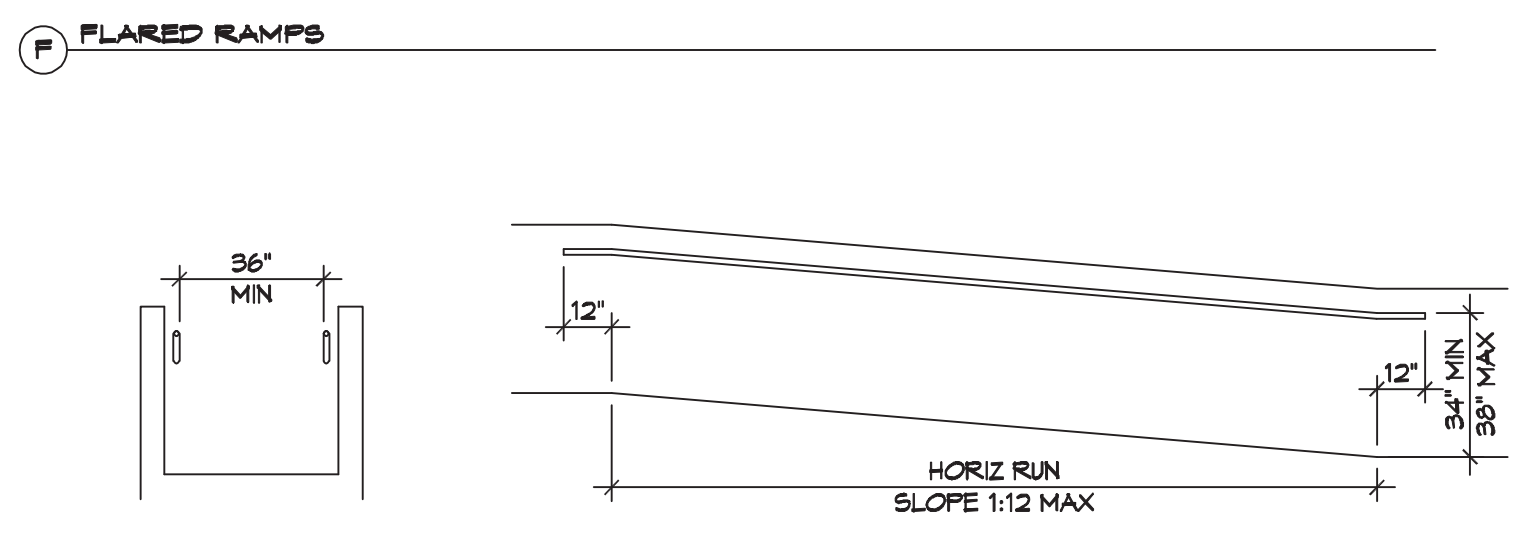
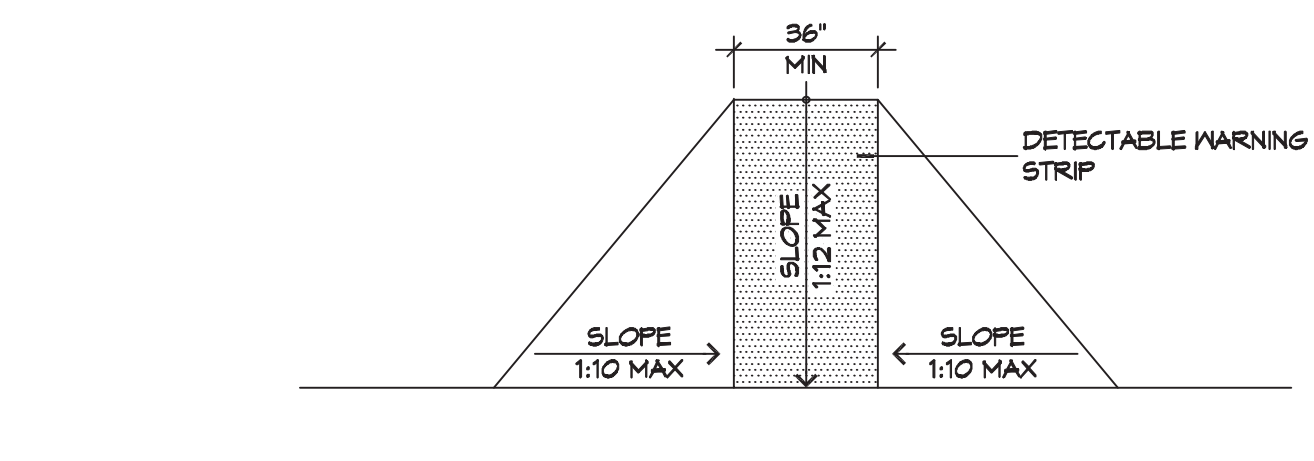
FILE NAME: A:\Projects\2012\12-10-12\12-10-12.dwg
 PLOT DATE: 4/26/2012 10:58:38 AM
 PLOT BY: JMS



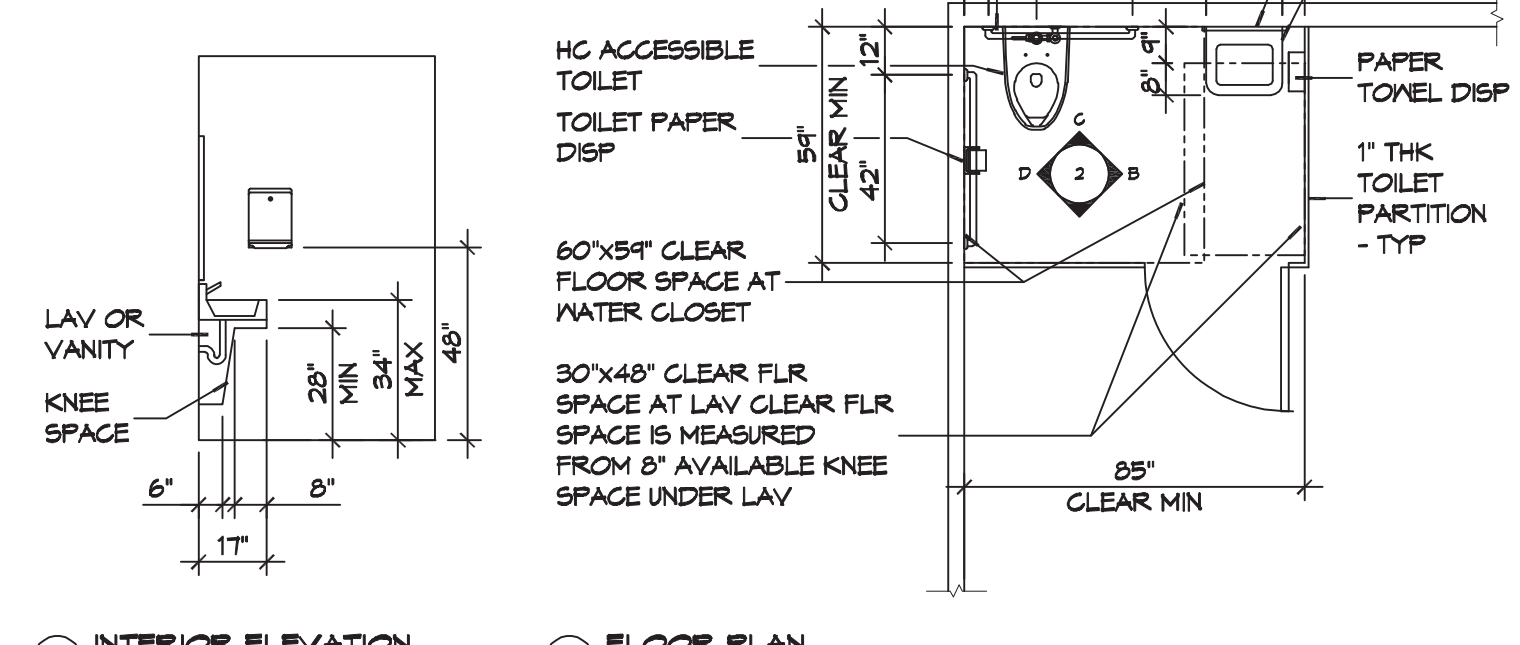
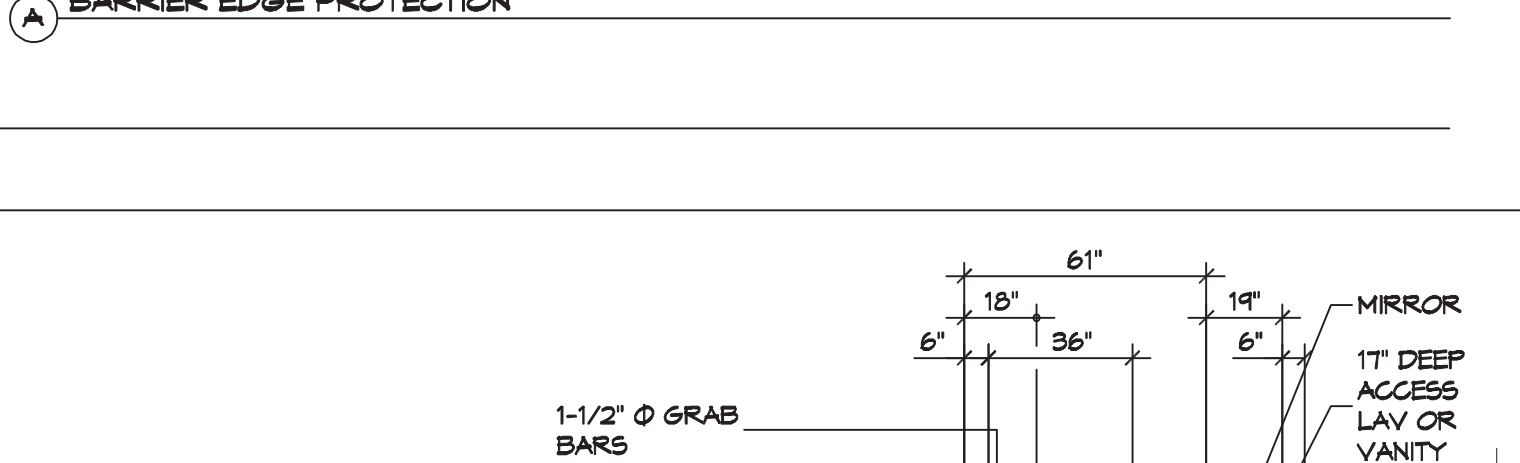
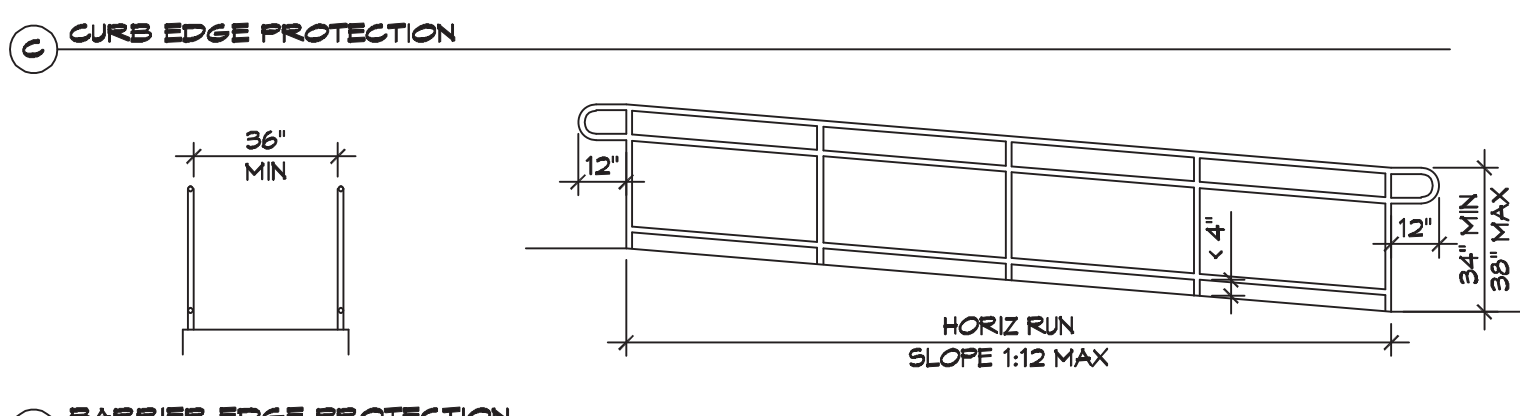
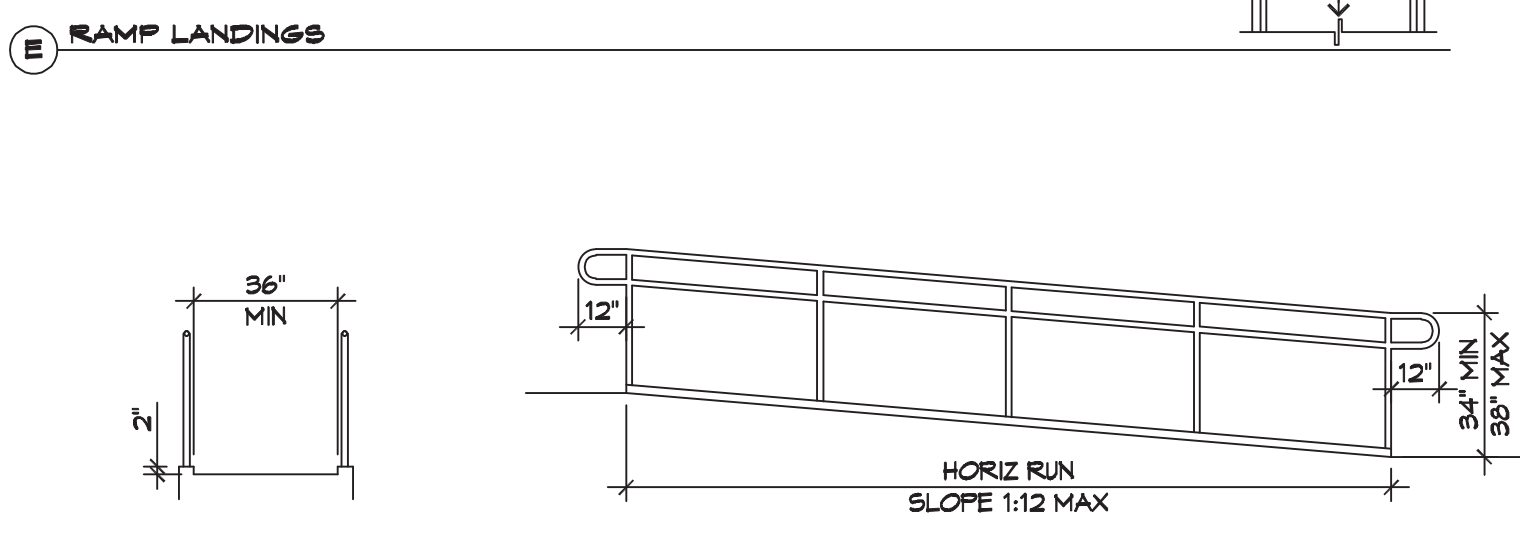
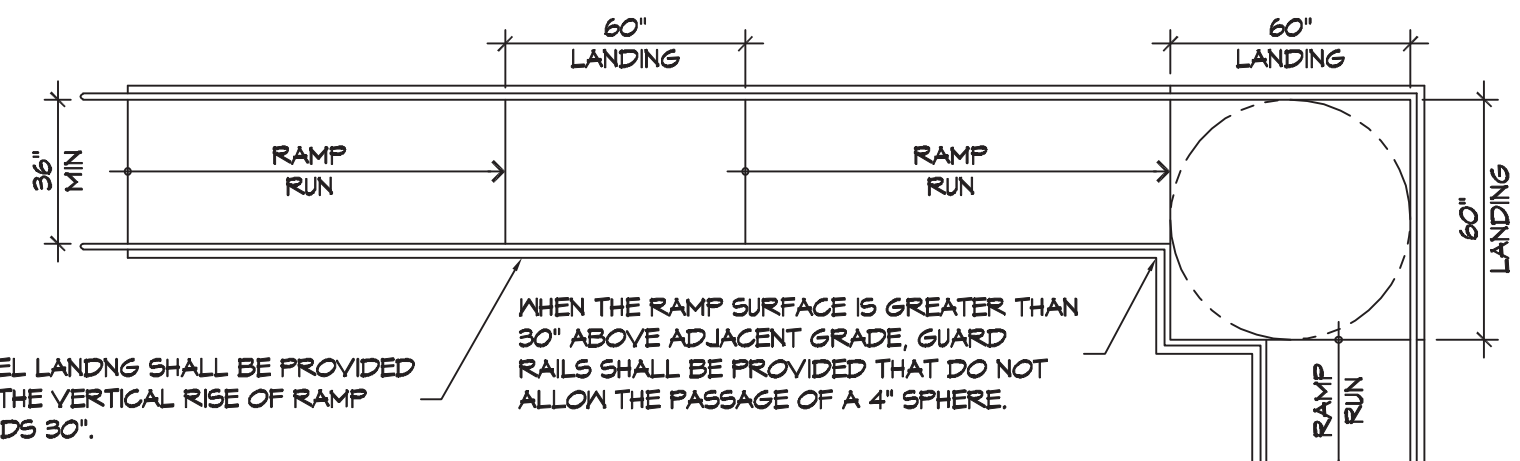
3 ACCESSIBLE SIGN
SCALE: NTS



3 ADA DOOR CLEARANCES
SCALE: 1/4" = 1'-0"



2 RESTROOM CLEARANCES
SCALE: 1/4" = 1'-0"



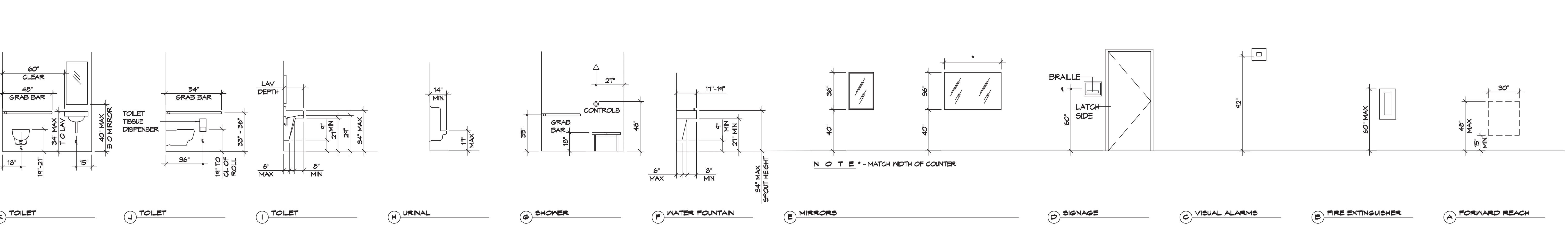
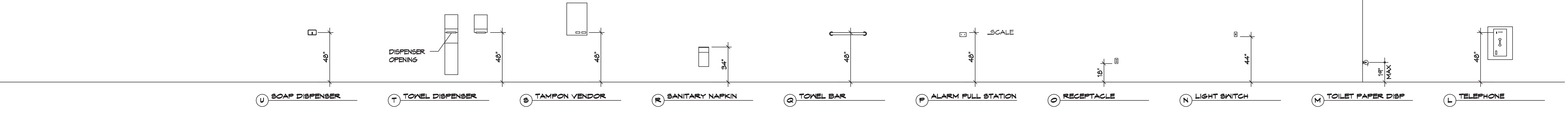
2 RESTROOM CLEARANCES
SCALE: 1/4" = 1'-0"

ACCESSIBILITY NOTES

DOOR CLEARANCE NOTES
ALCOVES SHALL COMPLY WITH THE CLEARANCES FOR FRONT APPROACHES. 3/6/102 - 3K/6/102.
DOOR HARDWARE SHALL BE LEVER TYPE.
MAX DOOR OPENING FORCE:
INTERIOR HINGED DOORS: 5 LBF
EXTERIOR HINGED DOORS: 8.5 LBF
SLIDING OR FOLDING DOORS: 5 LBF
FIRE DOORS SHALL HAVE THE MINIMUM OPENING FORCE ALLOWABLE BY THE APPROPRIATE ADMINISTRATIVE AUTHORITY.
HARDWARE REQUIRED FOR ACCESSIBLE DOOR PASSAGE SHALL BE MOUNTED NO HIGHER THAN 48" AND NOT LESS THAN 34" ABOVE FINISHED FLOOR.
THE FLOOR OR GROUND AREA WITHIN THE REQUIRED CLEARANCES SHALL BE LEVEL AND CLEAR.
THRESHOLDS AT DOORWAYS SHALL NOT EXCEED 3/4" IN HEIGHT FOR EXTERIOR SLIDING DOORS OR 1/2" FOR OTHER TYPES OF DOORS. RAISED THRESHOLDS AND FLOOR LEVEL CHANGES AT ACCESSIBLE DOORWAYS SHALL BE BEVELED WITH A SLOPE NO GREATER THAN 1:2.
DOORWAYS SHALL HAVE A MINIMUM CLEAR OPENING OF 32" WITH THE DOOR OPEN 90°, MEASURED BETWEEN THE FACE OF THE DOOR AND THE OPPOSITE STOP. OPENINGS MORE THAN 24" IN DEPTH SHALL MAINTAIN 32" MIN CLEARANCE.
RAMP NOTES
THE CLEAR SPACE BETWEEN THE HANDRAIL AND THE WALL SHALL BE MIN 1-1/2" CLEAR.
GRIPPING SURFACES SHALL BE CONTINUOUS AND UNOBSTRUCTED. ENDS OF HANDRAILS SHALL BE EITHER ROUNDED OR RETURNED SMOOTHLY TO FLOOR, WALL, OR POST.
HANDRAILS SHALL NOT ROTATE WITHIN THEIR FITTINGS.
THE CROSS SLOPE OF RAMP SURFACES SHALL BE NO GREATER THAN 1:50.
OUTDOOR RAMPS AND THEIR APPROACHES SHALL BE DESIGNED SO THAT WATER WILL NOT ACCUMULATE ON WALKING SURFACES.
RAMPS AND LANDINGS WITH DROP-OFFS SHALL HAVE CURBS, WALLS, RAILINGS, OR PROJECTING SURFACES THAT PREVENT PEOPLE FROM SLIPPING OFF THE RAMP. CURBS SHALL BE A MINIMUM OF 2" HIGH.
HANDRAILS SHALL BE PROVIDED ALONG BOTH SIDES OF RAMP SEGMENTS. THE INSIDE HANDRAIL ON SWITCHBACK OR DOGLEG RAMPS SHALL ALWAYS BE CONTINUOUS.
RAMP LANDINGS SHALL BE AT LEAST AS WIDE AS THE RAMP RUN LEADING TO IT.

GENERAL SITE ACCESSIBILITY NOTES

1. ACCESSIBILITY SIGNAGE SHALL COMPLY WITH ADAAG 2010 GUIDELINES SECTION 303.7.
2. SEE SHEET 0003 FOR ACCESSIBLE RAMP AND HANDRAIL DESIGNS WHERE THEY OCCUR.
3. ALL ACCESSIBLE PARKING SPACES AND AISLES THAT SERVE THEM SHALL COMPLY WITH ADAAG 2010 GUIDELINES SECTIONS 502.4 AND 502.5.
4. OPENINGS IN GROUND SURFACES SHALL COMPLY WITH ADAAG 2010 GUIDELINES SECTION 302.3.
5. VERTICAL CHANGES IN ELEVATION ALONG ALL ACCESSIBLE ROUTES SHALL COMPLY WITH ADAAG 2010 GUIDELINES SECTIONS 303.2, 303.3, AND 303.4.
6. PARKING SPACES DESIGNATED AS ACCESSIBLE SHALL INCLUDE THE INTERNATIONAL SYMBOL OF ACCESSIBILITY COMPLYING WITH ADAAG 2010 GUIDELINES SECTIONS 303.2.1 AND 502.6.
7. ALL ACCESSIBLE PARKING SPACES AND ROUTES SERVING THEM SHALL HAVE A ROUGH, SLIP-RESISTANT SURFACE OR LIGHT BROOM FINISH IN COMPLIANCE WITH ADAAG 2010 GUIDELINES SECTION 302.1.

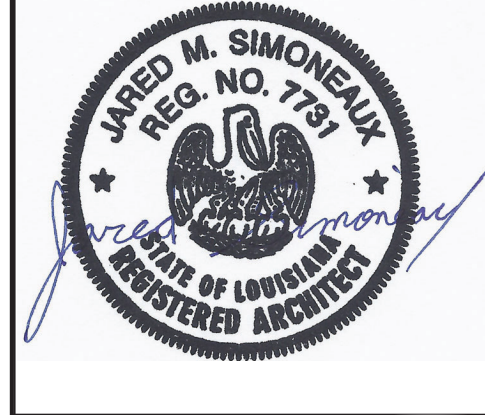


1 MOUNTING HEIGHTS
SCALE: 1/4" = 1'-0"

DAMMON ENGINEERING, INC.
LOUISIANA & MISSISSIPPI

Chief Engineer: Brian Misch, PE
554 Old Spanish Trail
Slidell, LA 70458
www.dammonengineering.com
info@dammonengineering.com
PH: 985-649-5832

#	DESCRIPTION	DATE



**ITS
TNS
LO
AL
LS**

56684 BOGWOORTH ST.
SLIDELL, LA 70458

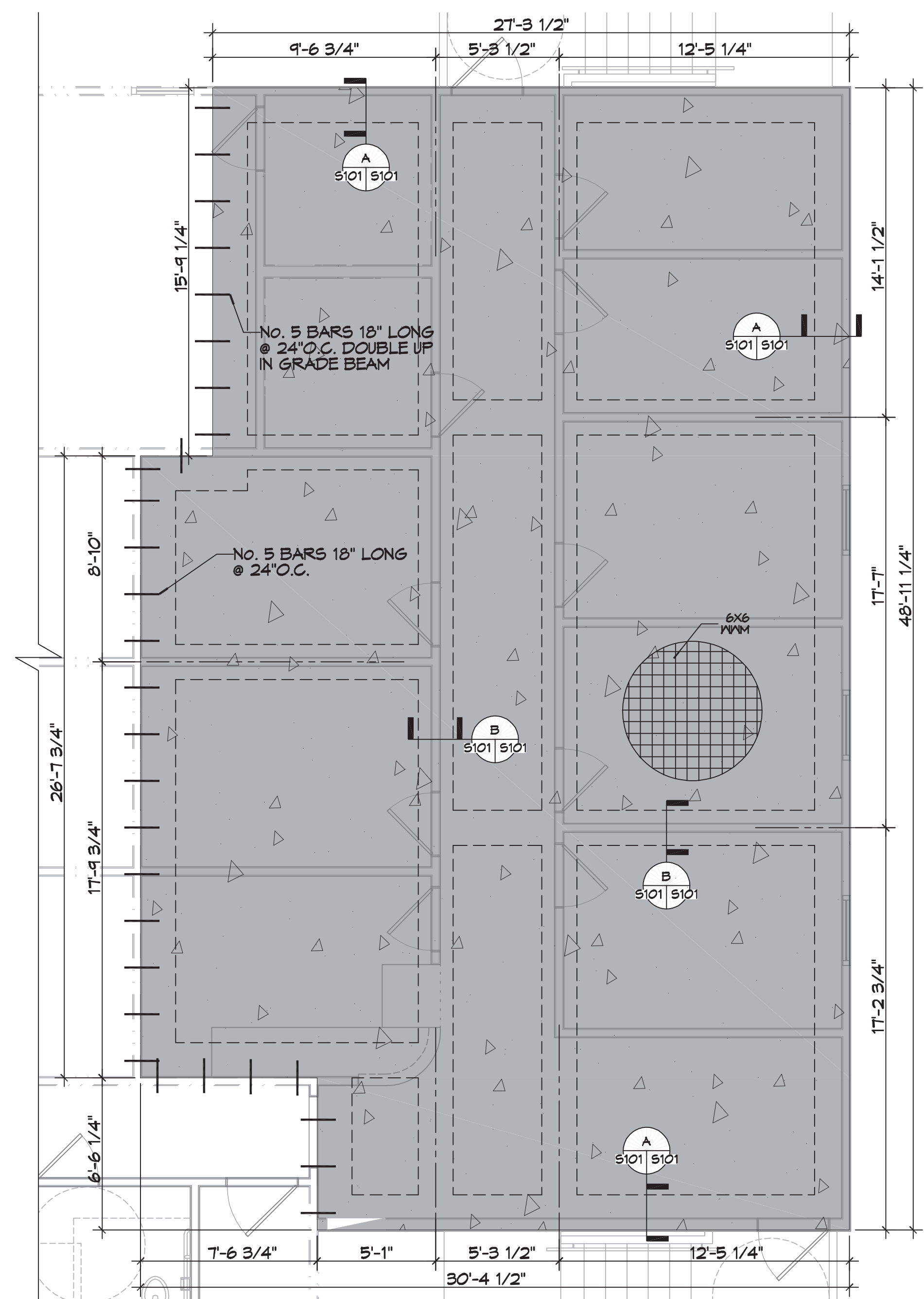
JMS
DATE: 04-30-2012
CKD
CHECKED BY: JMS

SHEET TITLE:
ACCESSIBILITY INFORMATION

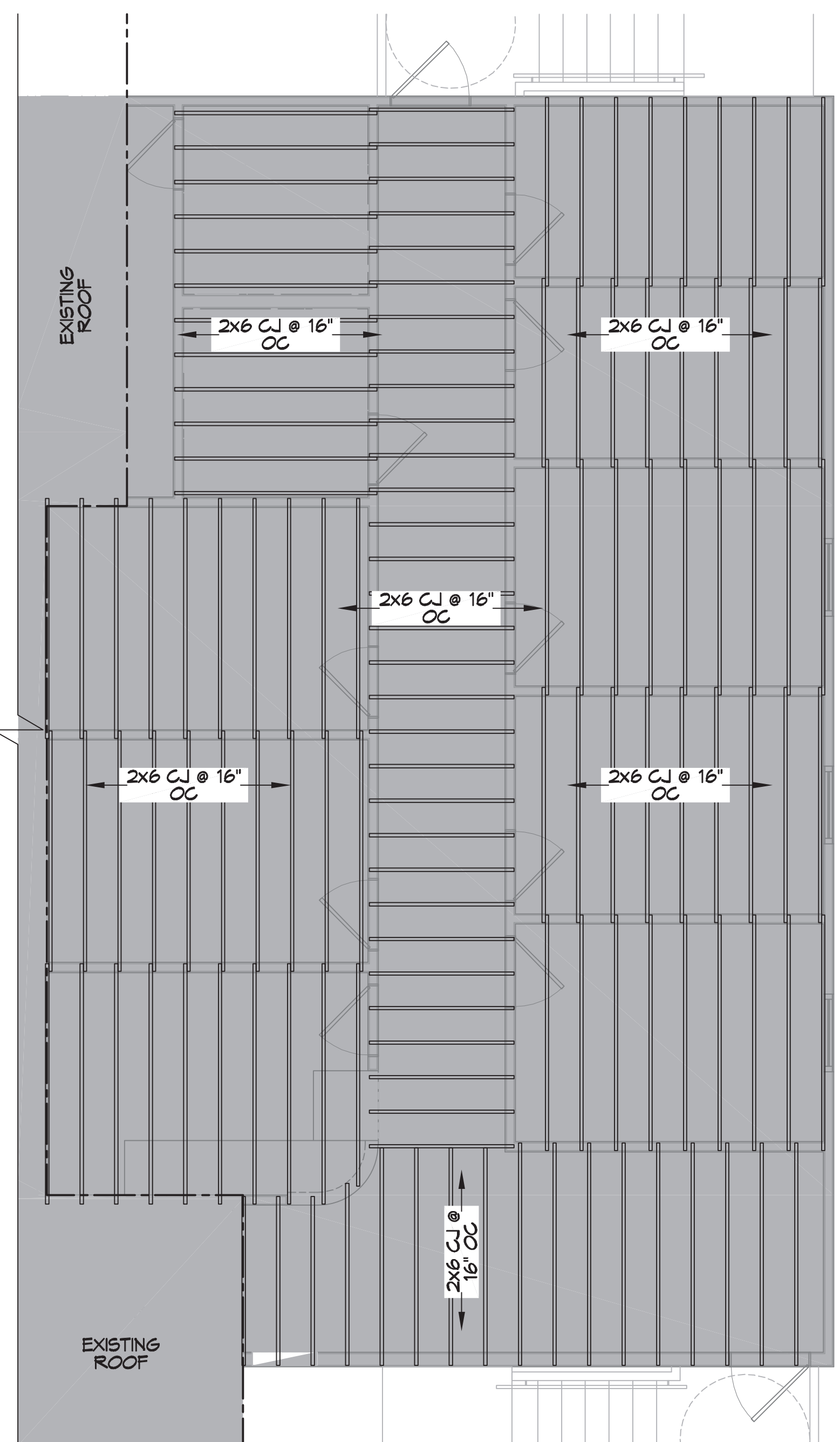
DRAWING NUMBER:
G102

SHEET No: 2 of 12

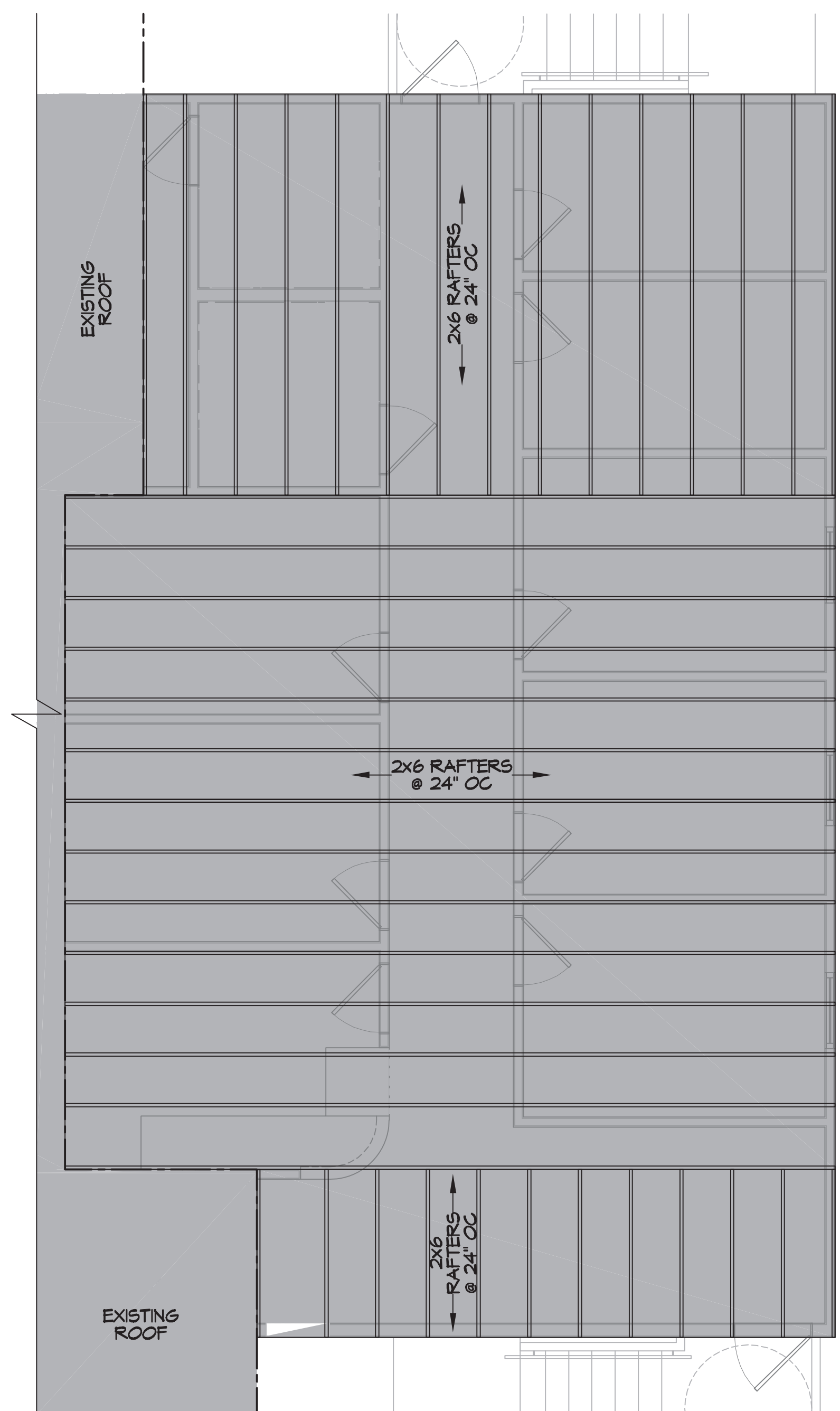
D.E. DAMMON, P.E., 5101 S101, Lake St., Metairie, LA 70002, (504) 885-1234, www.dammonengineering.com, info@dammonengineering.com



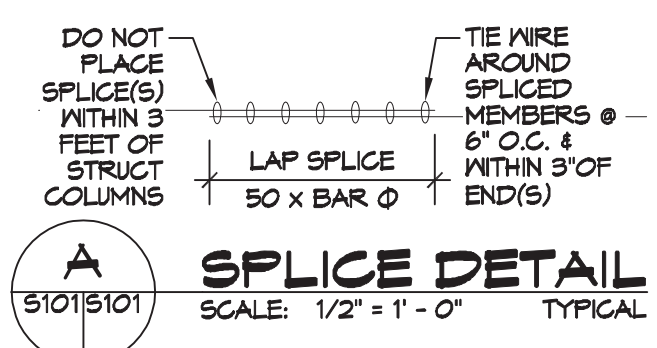
7 FOUNDATION PLAN
SCALE: 1/4"=1'-0"



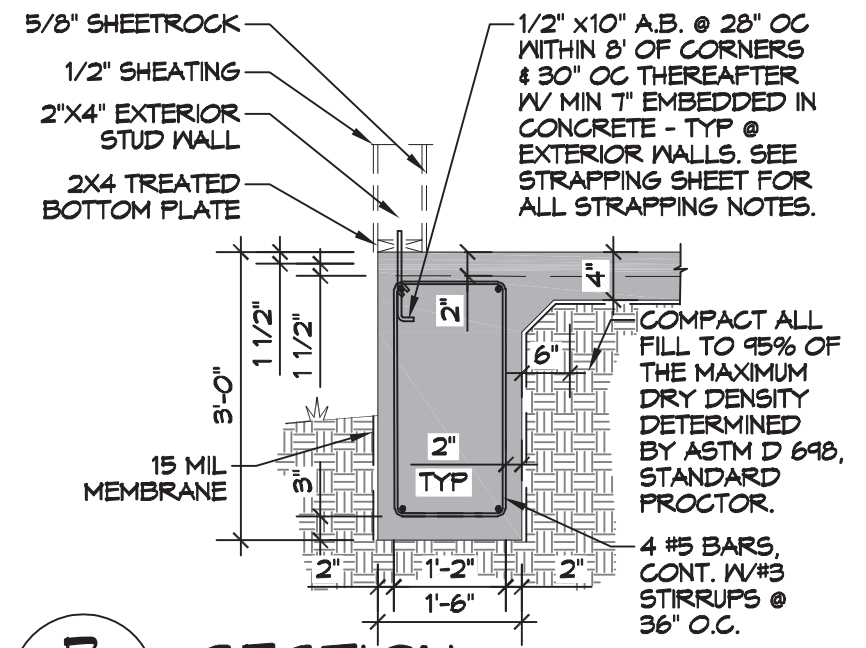
8 CEILING FRAMING
SCALE: 1/4"=1'-0"



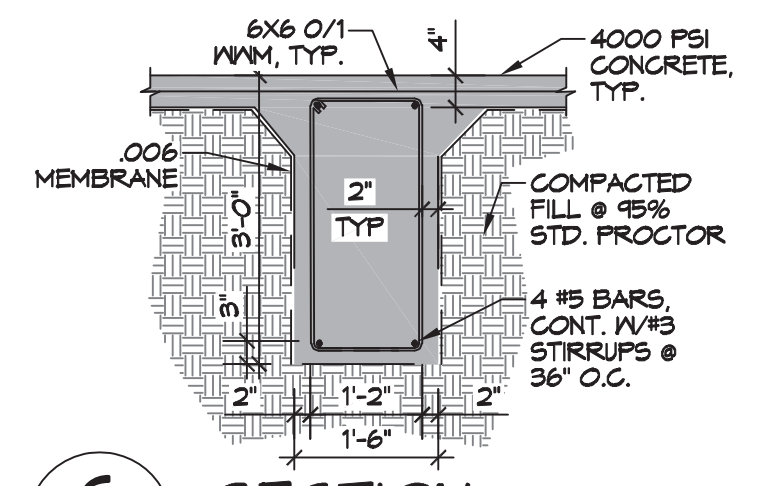
9 ROOF FRAMING
SCALE: 1/4"=1'-0"



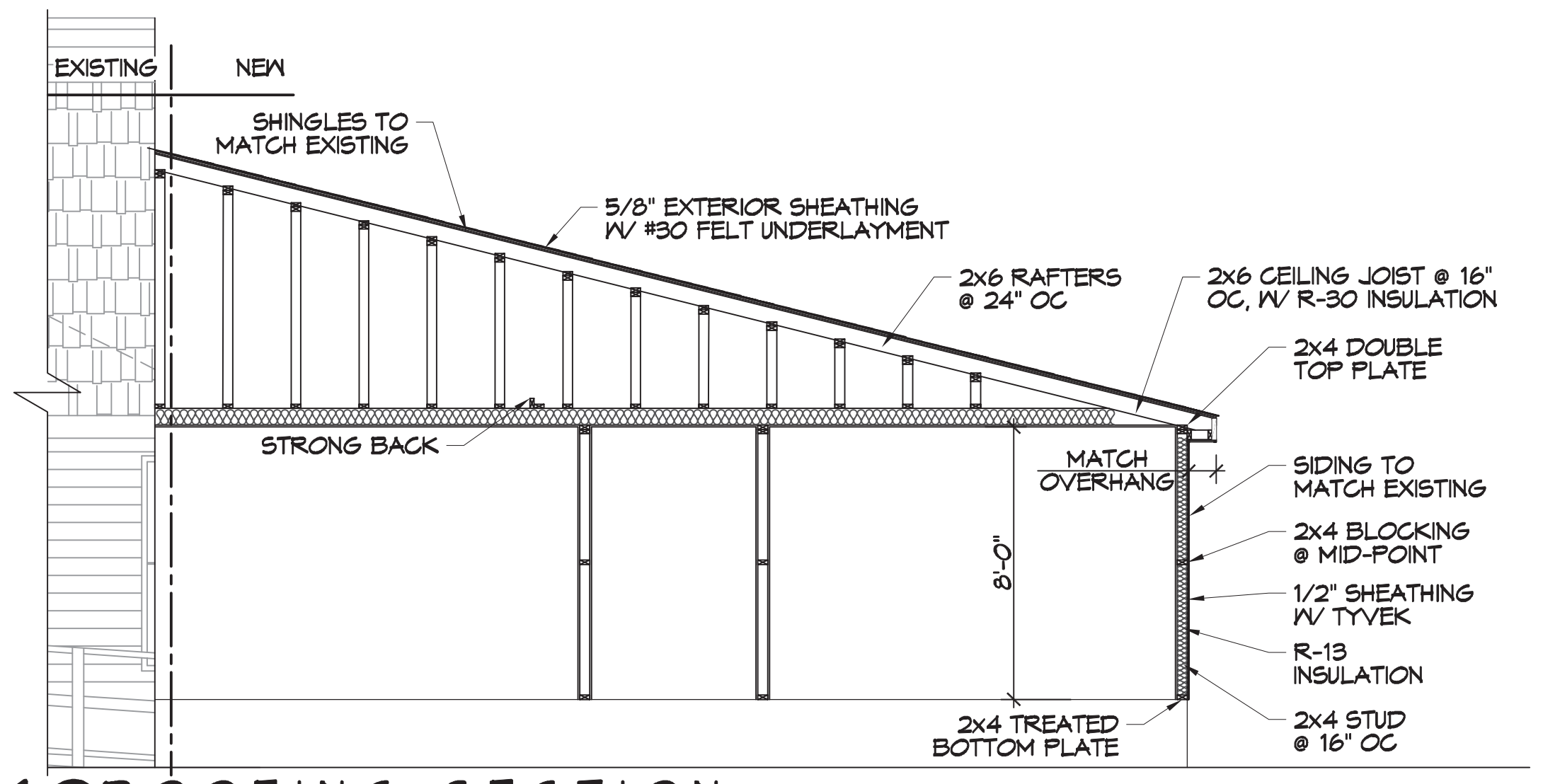
A SPLICE DETAIL
SCALE: 1/2"=1'-0" TYPICAL



B SECTION
SCALE: 1/2"=1'-0"



C SECTION
SCALE: 1/2"=1'-0"



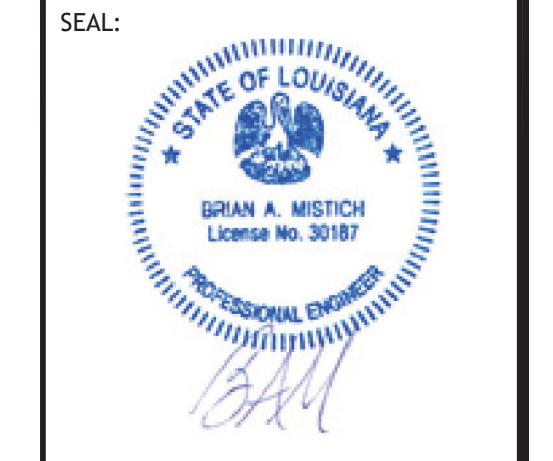
10 ROOFING SECTION
SCALE: 1/4"=1'-0"

GENERAL FOUNDATION NOTES

- ALL DIMENSIONS ARE EDGE OF CONCRETE (EOC) TO EDGE OF CONCRETE (EOC) UNLESS NOTED OTHERWISE.
- VERIFY ALL PLUMBING ROUGH-IN LOCATIONS ON ARCHITECTURAL DWGS.
- CONCRETE MIX SHALL HAVE A MINIMUM COMPRESSIVE STRENGTH OF 4000 PSI AT 28 DAYS. CONCRETE MIX SHALL BE IN ACCORDANCE WITH ACI-318.
- ALL CONVENTIONAL REINFORCING STEEL SHALL MEET ASTM-A615 (GRADE 60).
- ONE LAYER OF POLYETHYLENE VAPOR BARRIER SHALL BE PLACED UNDER ALL CONCRETE. VAPOR RETARDER TO BE MINIMUM 10 MIL THICKNESS; ASTM E 1745 CLASS A, PERMEANCE LESS THAN 0.01 FERMS, EQUAL TO STEGO INDUSTRIES STEGO WRAP, ECOSHIELD-E 15 MIL BY EPRO, OR IRONBAR 15 BY FLATIRON FILMS, PROVIDE APPROPRIATE ACCESSORIES FOR A COMPLETE SYSTEM.
- ALL REINFORCING STEEL AND MESH SHALL BE SECURELY SUPPORTED TO PREVENT BOTH VERTICAL AND HORIZONTAL MOVEMENT DURING CONCRETE PLACEMENT.
- THE CONTRACTOR SHALL VERIFY ALL DROPS, OFFSETS, BRICK LEDGES, DIMENSIONS AND CONFIGURATIONS. CONTRACTOR MUST BE RESPONSIBLE FOR SAME.
- GRADE BEAM DIMENSIONS MAY VARY BY -5%, +20%.
- NEW SPREAD CONCRETE FOOTINGS AND CONTINUOUS FOOTINGS, BEARING ON COMPACTED STRUCTURAL FILL AT LEAST 2 FEET BELOW FINISHED GRADE, SHOULD BE DESIGNED FOR MINIMUM NET ALLOWABLE BEARING PRESSURES OF 1200 PSF AND 2000 PSF, RESPECTIVELY, BASED ON DEAD LOADS AND DESIGN LIVE LOADS.
- ALL SOIL BELOW SLAB SHALL RECEIVE TERMITE TREATMENT.

DAMMON ENGINEERING, INC.
 LOUISIANA & MISSISSIPPI
 Chief Engineer: Brian Mistich, PE
 554 Old Spanish Trail
 Slidell, LA 70458
 www.dammonengineering.com
 info@dammonengineering.com
 PH: 985-649-5832

#	DESCRIPTION	DATE

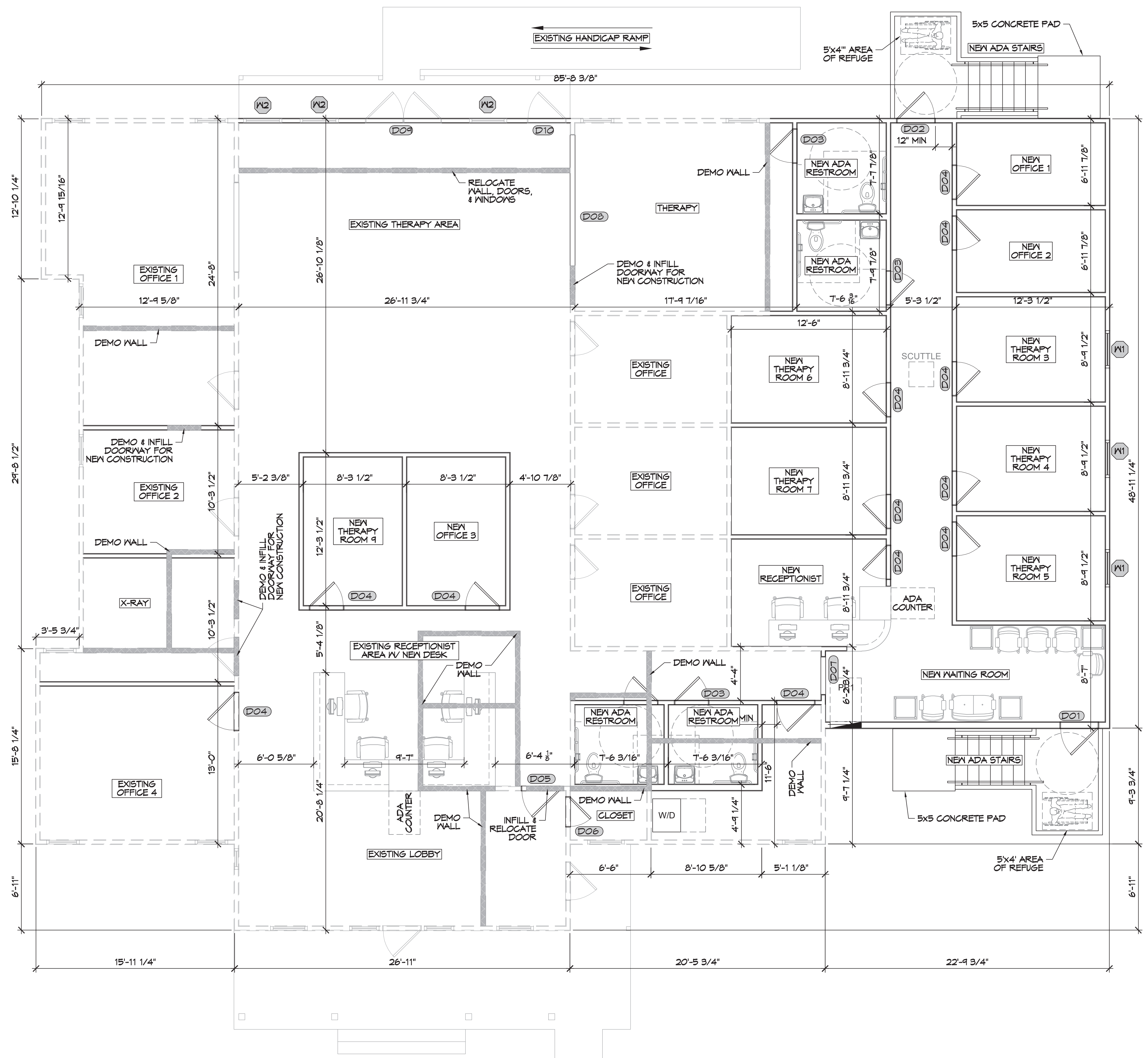


IS
T
N
L
O
A
I
L
S
A
O
L
S

DATE: 04-30-2022
 DRAWN BY: TNT
 CHECKED BY: CKD
 JOB NO: 56684 BOSWORTH ST. SLIDELL, LA 70458

SHEET TITLE:
 FOUNDATION PLAN
 DRAWING NUMBER:
S101
 SHEET No: 4 of 12

FILE NAME: J:\1 - 2022\11FLOOR PLAN\11FLOOR PLAN.dwg - Plot: 11FLOOR PLAN.dwg - Date: 04/20/2022 10:53:22 AM



GENERAL NOTES

1. INSULATION AND INSULATION ASSEMBLIES SHALL MEET THE REQUIREMENTS OF IBC 2012 SECTION 719.
 - A. CONCEALED INSULATION SHALL HAVE A FLAME SPREAD OF 0-25 AND SMOKE DEVELOPED INDEX OF 0-450, EXCEPT THAT IN COMBUSTIBLE (WOOD FRAME) CONSTRUCTION.
 - B. FACING SHALL COMPLY WITH IBC 2012.
2. ALL MATERIALS SHALL BE NEW AND UL LISTED.
3. NO WORK SHALL BE CONCEALED UNTIL APPROVED BY LOCAL INSPECTORS.
4. CONSTRUCTION SHALL COMPLY WITH ALL PARISH, STATE, AND LOCAL CODES.
5. CONTRACTOR TO GUARANTEE WORK FOR ONE YEAR FROM DATE OF SUBSTANTIAL COMPLETION.
6. CONTRACTOR SHALL FURNISH WATER AND POWER FROM EXISTING SOURCES.
7. EXTERIOR CAULKING SHALL BE THIKOL CAULK.
8. PAINT SHALL BE SHERWIN WILLIAMS OR EQUIVALENT AND APPROPRIATE FOR THE SUBSTRATE TO WHICH IT IS APPLIED AS RECOMMENDED BY PAINT MANUFACTURER. ALL WORK TO RECEIVE THREE COATS (ONE PRIMER COAT, TWO FINISH COATS) UNLESS OTHERWISE RECOMMENDED BY PAINT MANUFACTURER. COLORS TO BE SELECTED BY OWNER.
9. PROVIDE CLEANUP ON A REGULAR BASIS. NO TRASH SHALL BE STORED INSIDE BUILDING PREMISES.
10. ALL BATT INSULATION SHALL HAVE A CLASS "A" (0-25) FLAME SPREAD IN COMPLIANCE WITH IBC 2012.
11. USE 2X6 STUDS, OR TWO 2X4 STAGGERED STUDS WITH 2X6 GILL PLATE AT ALL WALLS WHERE 4" PIPE IS INDICATED. SEE PLUMBING RISER DIAGRAM FOR PIPE SIZE.
12. PROVIDE GALVANIZED METAL PAN WITH DRAIN AT ALL WATER HEATERS.
13. ALL FLOORING SHALL MEET OR EXCEED ADA GUIDELINES REQUIREMENTS FOR SLIP RESISTANCE.
14. INTERIOR LOCKS ON DOORS IN MEANS OF EGRESS SHALL NOT REQUIRE THE USE OF A KEY, SPECIAL KNOWLEDGE, OR SPECIAL DEVICE TO OPEN IN THE DIRECTION OF EGRESS. ALL DOORS SHALL HAVE LEVER TYPE HANDLES.
15. INTERIOR WALLS AND CEILINGS SHALL HAVE A FLAME SPREAD OF 0-200 AND A SMOKE DEVELOPMENT RATING OF 0-450.
16. ALL WORK SHALL COMPLY WITH THE LATEST EDITION OF ALL LOCAL, STATE, AND NATIONAL CODES COVERING THE TYPE OF WORK BEING PERFORMED.
17. PROVIDE PORTABLE FIRE EXTINGUISHERS IN ACCORDANCE WITH NFPA 101. SEE APPENDIX "E" OF NFPA 101 FOR DISTRIBUTION OF EXTINGUISHERS.
18. ALL FIRE WALLS SHALL EXTEND TIGHT TO ROOF DECK AND BE SEALED WITH AN APPROVED FIRE CAULK.
19. ALL ELECTRICAL, MECHANICAL, AND PLUMBING MATERIALS PENETRATING FIRE WALLS SHALL BE FIRE CALKED. (PENETRATIONS THROUGH RATED CONSTRUCTION SHALL BE SEALED WITH A MATERIAL CAPABLE OF PREVENTING THE PASSAGE OF FLAMES AND HOT GASES WHEN TESTED IN ACCORDANCE WITH ASTM-E814.)
20. SERVICE COUNTERS SHALL HAVE AN ACCESSIBLE WRITING SURFACE IN COMPLIANCE WITH ADAAG ACCESSIBILITY GUIDELINES 2010, SECTION 902.3.

DOOR SCHEDULE

MK	WIDTH	HEIGHT	THK	DOOR MAT	FRAME	TYPE	NOTES
D01	3'-0"	7'-0"	1-3/4"	METAL	STEEL	SINGLE	FONT DOOR W/ CLOSER
D02	3'-0"	6'-8"	1-3/4"	METAL	STEEL	SINGLE	BACK DOOR W/ CLOSER
D03	3'-0"	6'-8"	1-3/4"	MASONITE	STEEL	SINGLE	RESTROOM DOOR W/ CLOSER
D04	3'-0"	6'-8"	1-3/4"	MASONITE	STEEL	SINGLE	EXAM/ OFFICE DOOR
D05	3'-0"	6'-8"	1-3/4"	-	-	SINGLE	EXISTING LOBBY DOOR TO BE RELOCATED
D06	2'-4"	6'-8"	1-3/4"	MASONITE	STEEL	SINGLE	CLOSET DOOR
D07	3'-0"	6'-8"	1-3/4"	N/A	STEEL	CASED	
D08	3'-0"	6'-8"	1-3/4"	N/A	STEEL	CASED	
D09	3'-0"	6'-8"	1-3/4"	-	-	SINGLE	EXISTING DOOR TO BE RELOCATED
D10	3'-0"	6'-8"	1-3/4"	-	-	DOUBLE	EXISTING DOOR TO BE RELOCATED

NOTE:
DOORS IN A REQUIRED MEANS OF EGRESS SERVING ANY ASSEMBLY AREA HAVING AN OCCUPANT LOAD OF 50 OR MORE PERSONS SHALL NOT BE EQUIPPED WITH A LATCH OR LOCK OTHER THAN PANIC HARDWARE OR FIRE EXIT HARDWARE.

WINDOW SCHEDULE

MK	WIDTH	HEIGHT	FRAME MAT	WINDOW TYPE	NOTES
W01	2'-7"	6'-0"	STEEL	SINGLE HUNG	NEW WINDOW TO MATCH EXISTING
W02	-	-	-	-	EXISTING WINDOW TO BE RELOCATED

NOTE:
REUSE EXISTING MATERIALS WHEN ABLE

DAMMON ENGINEERING, INC.
 LOUISIANA & MISSISSIPPI
 Chief Engineer: Brian Mischick, PE
 554 Old Spanish Trail
 Slidell, LA 70458
 www.dammonengineering.com
 info@dammonengineering.com
 PH: 985.649.5832

REVISIONS	DATE	DESCRIPTION



IS
 T
 N
 L
 O
 H
 U
 L
 A
 O
 L
 S
 DATE: 04-20-2022
 CHECKED BY: JMS
 DRAWN BY: JMS
 56654 BOSSWORTH ST.
 SLIDELL, LA 70458
 JOB No: 11FLOOR PLAN
 SHEET TITLE: FLOOR PLAN
 DRAWING NUMBER: A101
 SHEET No: 5 of 12

11 FLOOR PLAN
 SCALE: 1/4" = 1'-0"

TABLE S102.7 - HEADER SPANS FOR INTERIOR LOAD-BEARING WALLS

HEADERS SUPPORTING	SIZE	DROPPED HEADER			RAISED HEADER		
		BUILDING WIDTH (FT.)			BUILDING WIDTH (FT.)		
		12	24	36	12	24	36
ONE FLOOR ONLY (SINGLE CENTER BEARING WALL)	(2) 2x4	4'-0"	2'-10"	2'-4"	4'-1"	2'-10"	2'-4"
	(2) 2x6	5'-11"	4'-3"	3'-5"	6'-1"	4'-4"	3'-6"
	(2) 2x8	7'-1"	5'-2"	4'-4"	7'-4"	5'-5"	4'-5"
	(2) 2x10	7'-11"	6'-0"	5'-0"	8'-2"	6'-6"	5'-3"
	(2) 2x12	8'-6"	6'-7"	5'-7"	10'-4"	7'-7"	6'-3"
	(3) 2x8	8'-5"	6'-4"	5'-3"	9'-8"	6'-10"	5'-7"
	(3) 2x10	9'-3"	7'-11"	6'-10"	11'-5"	8'-11"	6'-7"
	(3) 2x12	9'-11"	7'-8"	6'-7"	13'-6"	9'-6"	7'-4"
	(4) 2x8	9'-5"	7'-2"	6'-0"	11'-2"	7'-11"	6'-5"
	(4) 2x10	10'-3"	7'-11"	6'-4"	13'-3"	9'-4"	7'-8"
(4) 2x12	11'-0"	8'-7"	7'-4"	15'-7"	11'-0"	9'-0"	

TABLE S102.8 - HEADER SPANS FOR EXTERIOR LOAD-BEARING WALLS RESISTING WIND LOADS EXP "C"

SIZE	120 MPH	130 MPH	140 MPH	150 MPH	160 MPH	170 MPH	180 MPH	195 MPH
(2) 2x4	5'-1"	4'-8"	4'-4"	4'-1"	3'-10"	3'-7"	3'-5"	3'-2"
(2) 2x6	6'-3"	5'-9"	5'-4"	5'-0"	4'-8"	4'-5"	4'-2"	3'-10"
(2) 2x8	6'-10"	5'-11"	5'-6"	5'-2"	4'-10"	4'-7"	4'-3"	4'-0"
(2) 2x10	7'-4"	6'-10"	6'-4"	5'-11"	5'-6"	5'-2"	4'-11"	4'-6"
(2) 2x12	7'-10"	7'-3"	6'-4"	6'-3"	5'-11"	5'-7"	5'-3"	4'-10"
(3) 2x8	8'-5"	7'-4"	7'-2"	6'-4"	6'-4"	5'-11"	5'-7"	5'-2"
(3) 2x10	9'-0"	8'-4"	7'-4"	7'-3"	6'-4"	6'-0"	5'-7"	5'-2"
(3) 2x12	9'-7"	8'-11"	8'-3"	7'-8"	7'-3"	6'-10"	6'-5"	5'-11"
(4) 2x8	9'-8"	9'-0"	8'-4"	7'-4"	7'-3"	6'-10"	6'-6"	6'-0"
(4) 2x10	10'-5"	9'-7"	8'-11"	8'-4"	7'-10"	7'-4"	6'-11"	6'-5"
(4) 2x12	11'-7"	11'-1"	10'-3"	9'-6"	8'-11"	8'-4"	7'-10"	6'-10"

TABLE S102.9 - SILL OR BOTTOM PLATE TO FOUNDATION CONNECTIONS RESISTING UPLIFT LOADS - 130 MPH WIND EXP "C"

BOTTOM PLATE TO FOUNDATION ANCHOR BOLT CONNECTION RESISTING	FOUNDATION SUPPORTING	MAXIMUM ANCHOR BOLT SPACING (INCHES)	
		8' END ZONES	INTERIOR ZONES
UPLIFT LOADS	1 - 3 STORIES	50 INCHES ON CENTER	58 INCHES ON CENTER

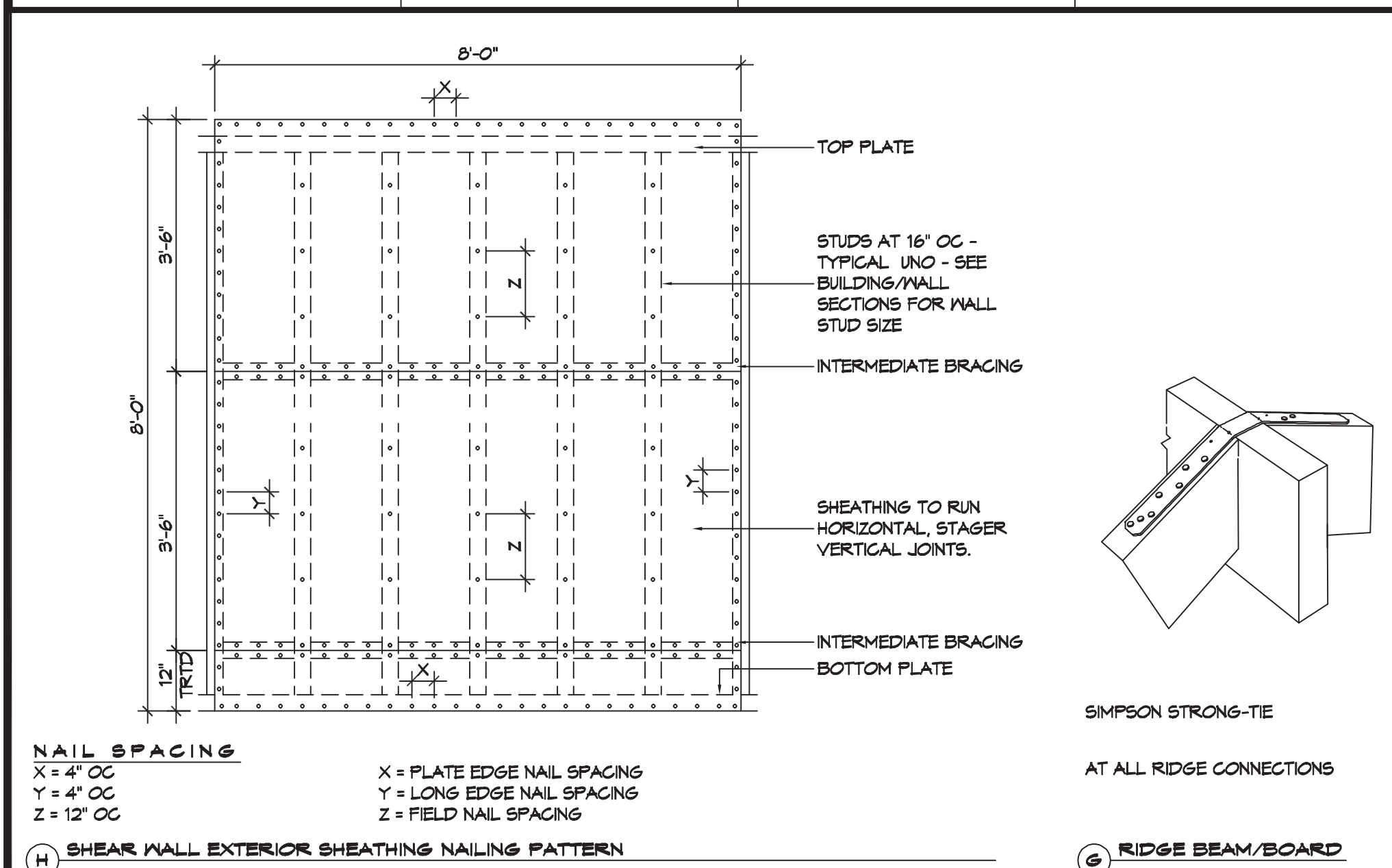
NOTE: A MINIMUM OF ONE ANCHOR BOLT SHALL BE PROVIDED WITHIN 6 TO 12 INCHES OF EACH END OF EACH PLATE

TABLE S102.10 - BOTTOM PLATE TO FOUNDATION CONNECTIONS (ANCHOR BOLTS) RESISTING LATERAL & SHEAR LOADS - EXP "C"

BOTTOM PLATE TO FOUNDATION ANCHOR BOLT CONNECTION RESISTING	FOUNDATION SUPPORTING	MAXIMUM ANCHOR BOLT SPACING (INCHES)	
		1/2" Ø ANCHOR BOLTS	5/8" Ø ANCHOR BOLTS
UPLIFT LOADS	1 STORY	31 INCHES ON CENTER	48 INCHES ON CENTER

TABLE S102.11 - FULL HEIGHT STUD REQUIREMENT FOR HEADERS OR WINDOW SILL PLATES IN EXTERIOR WALLS EXP "C"

HEADER SPAN (FEET)	WALL STUD SPACING (INCHES)		
	12" O.C.	16" O.C.	24" O.C.
2	1	1	1
4	2	2	1
6	3	3	2
8	4	3	2
10	5	4	3
12	6	5	3
14	7	6	4
16	8	6	4



TYPICAL CONNECTION DETAILS
SCALE: NTS

TABLE S102.5 - JACK STUD REQ - INT LOADBEARING WALLS

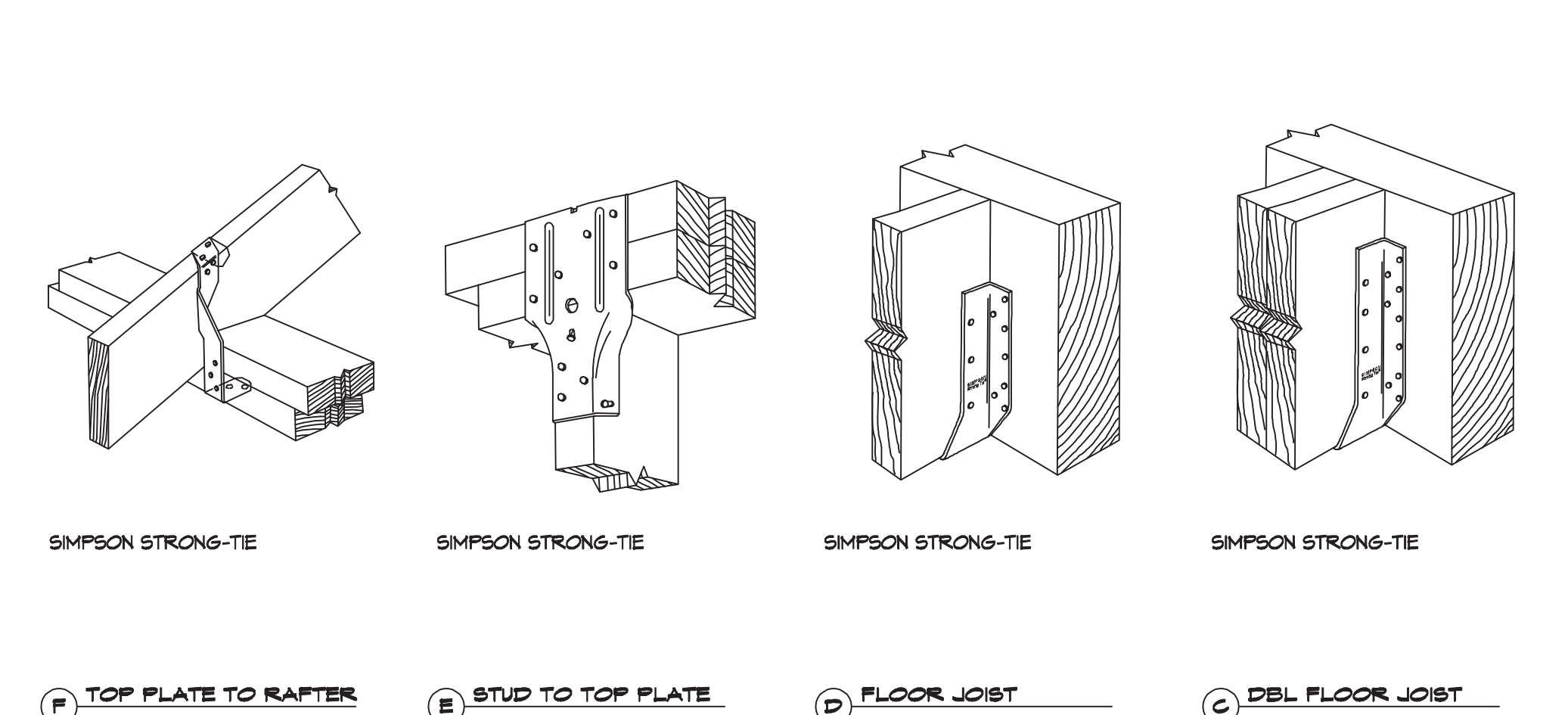
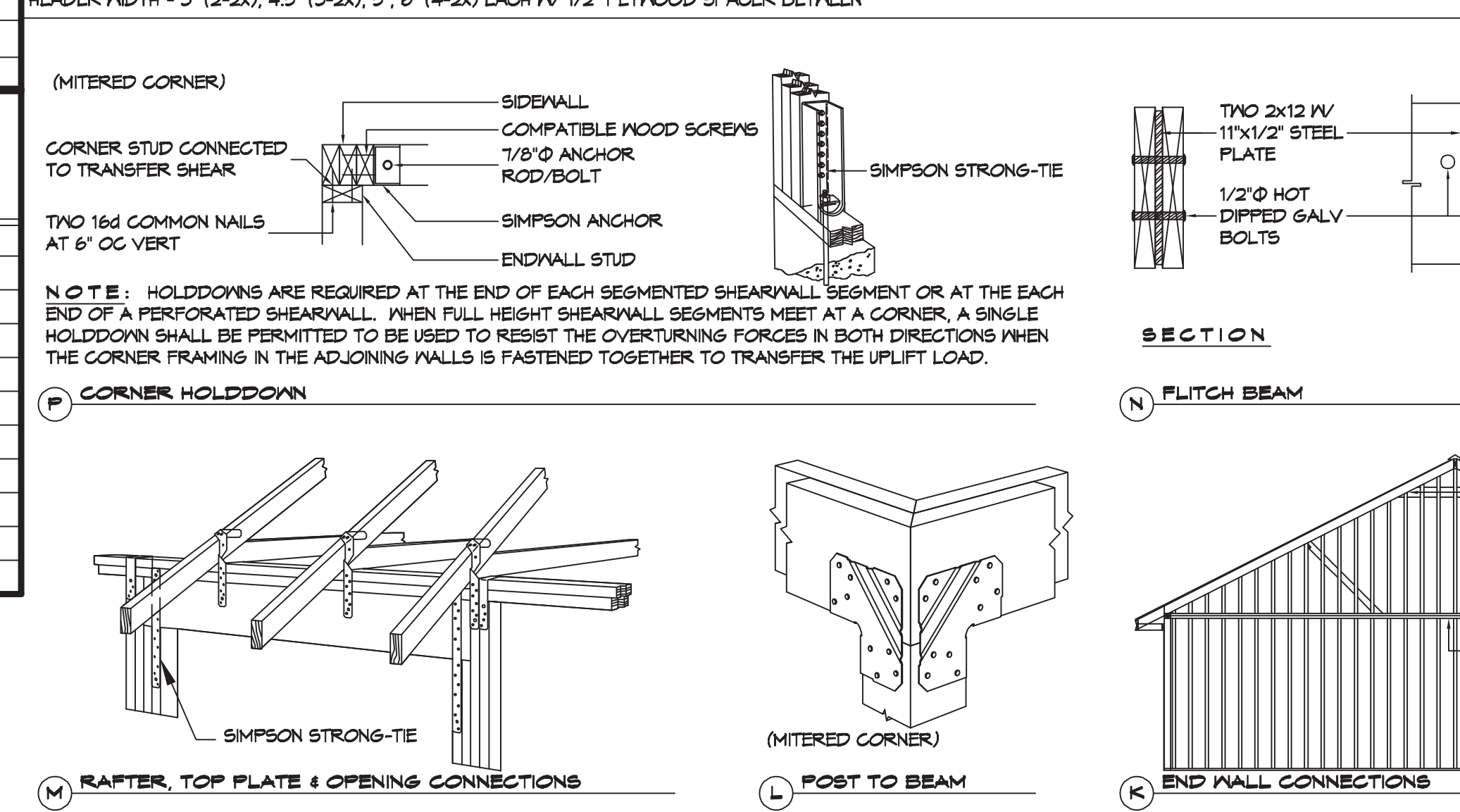
HEADER SUPPORTING	HEADER SPAN (FT)	ROOF SPAN (FEET)											
		12 FEET				24 FEET				36 FEET			
		NUMBER OF JACK STUDS REQUIRED AT EACH END OF THE HEADER											
ONE FLOOR ONLY (CENTER BEARING)	2	1	1	1	1	1	1	1	1	1	1	1	1
	4	1	1	1	1	1	1	1	1	1	1	1	1
	6	1	1	1	1	1	1	1	1	1	2	1	1
	8	1	1	1	1	2	1	1	1	2	2	2	1
	10	1	1	1	1	2	2	1	1	3	2	2	2
	12	1	1	1	1	2	2	2	1	3	2	2	2
	14	2	1	1	1	3	2	2	2	4	3	3	2
	16	2	1	1	1	3	2	2	2	4	3	3	2
	18	1	1	1	1	1	1	1	1	2	1	1	1
	20	1	1	1	1	2	1	1	1	3	2	2	2
TWO FLOORS (CENTER BEARING)	2	2	2	2	2	2	2	2	2	2	2	2	2
	4	2	2	2	2	2	2	2	2	2	2	2	2
	6	2	2	2	2	3	2	2	2	4	3	2	2
	8	2	2	2	2	3	2	2	2	5	3	3	2
	10	2	2	2	2	4	3	3	2	6	4	4	3
	12	3	2	2	2	5	3	3	3	7	5	4	4
	14	3	2	2	2	6	4	4	3	8	5	5	4
	16	4	3	2	2	6	4	4	3	9	6	6	5

HEADER WIDTH - 3" (2-2x), 4.5" (3-2x), 5", 6.5" (4-2x) EACH 1/4" 1/2" PLYWOOD SPACER BETWEEN

TABLE S102.6 - JACK STUD REQ - EXTERIOR LOADBEARING WALLS

HEADER SUPPORTING	HEADER SPAN (FT)	ROOF LIVE LOAD 20 PSF				GROUND SNOW LOAD 30 PSF			
		3"	4.5"	5"	6"	3"	4.5"	5"	6"
ROOF AND CEILING	2	1	1	1	1	1	1	1	1
	4	1	1	1	1	1	1	1	1
	6	2	1	1	1	2	1	1	1
	8	2	2	2	1	2	2	2	1
	10	3	2	2	2	3	2	2	2
	12	3	2	2	2	3	2	2	2
	14	4	3	2	2	4	3	2	2
	16	4	3	3	2	4	3	3	2
	18	4	3	3	2	4	3	3	2
	20	4	3	3	2	4	3	3	2
ROOF, CEILING, AND ONE CENTER BEARING FLOOR	2	1	1	1	1	1	1	1	1
	4	2	1	1	1	2	1	1	1
	6	2	2	2	1	3	2	2	2
	8	3	2	2	2	3	2	2	2
	10	4	3	2	2	4	3	3	2
	12	4	3	3	2	5	3	3	3
	14	5	4	3	3	5	4	3	3
	16	6	4	4	3	6	4	4	3

HEADER WIDTH - 3" (2-2x), 4.5" (3-2x), 5", 6.5" (4-2x) EACH 1/4" 1/2" PLYWOOD SPACER BETWEEN



TYPICAL CONNECTION DETAILS
SCALE: NTS

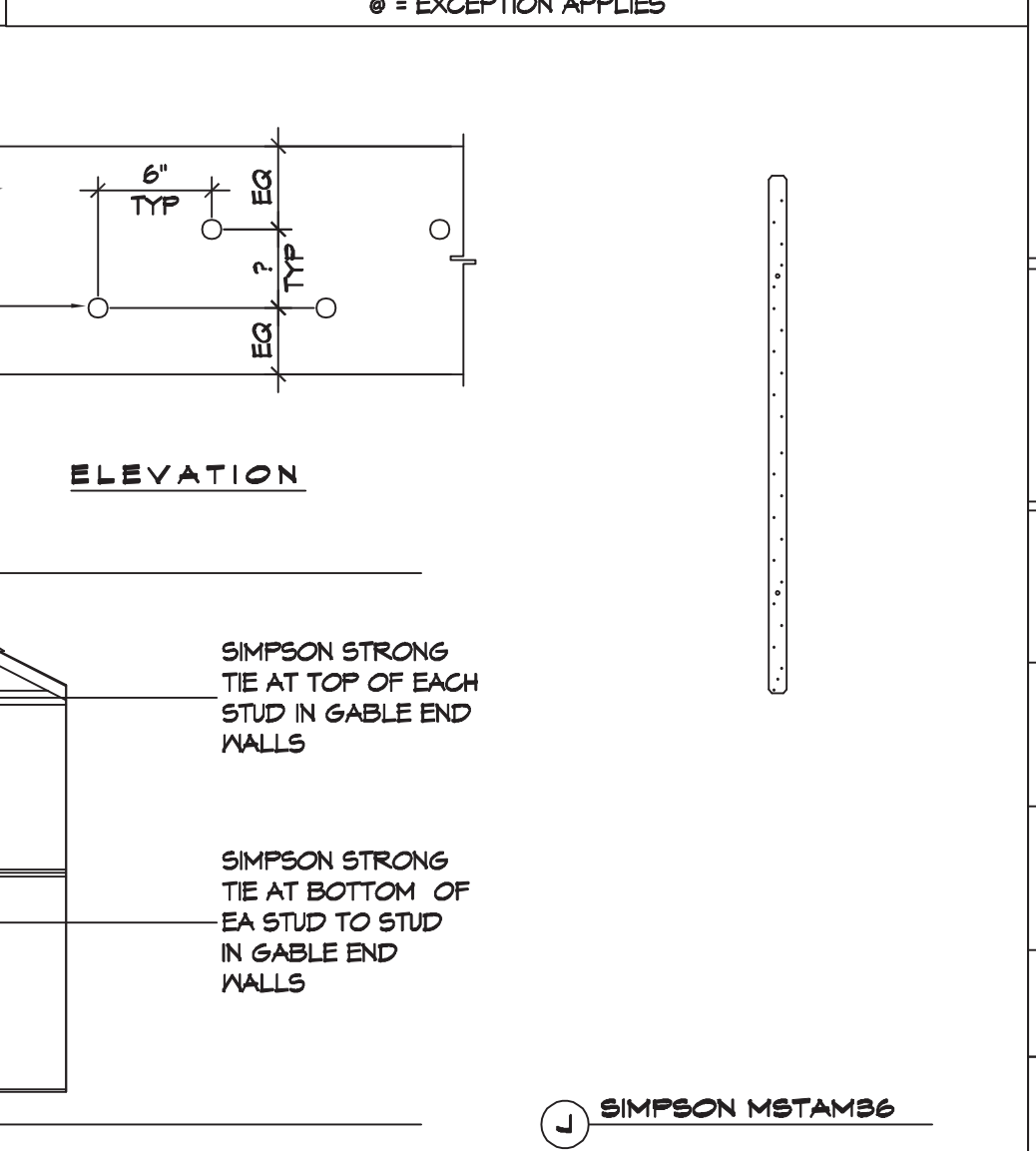
TABLE S102.3 - NAILING SCHEDULE

DESCRIPTION	NUMBER OF COMMON NAILS	NUMBER OF BOX NAILS	SPACING
WALL FRAMING			
TOP PLATE TO TOP PLATE (FACE NAILED)	2-16d	2-16d	PER FOOT
TOP PLATE AT INTERSECTION (FACE)	4-16d	5-16d	JOINTS - EACH SIDE
STUD TO STUD (FACE-NAILED)	2-16d	2-16d	24" O.C.
HEADER TO HEADER (FACE NAILED)	16d	16d	16" O.C. EDGES
TOP OR BOTTOM PLATE TO STUD (END)	SEE TABLE	SEE TABLE	PER STUD
BOTTOM PLATE TO FLOOR JOIST, BANDJOIST, END JOIST OR BLOCKING	2-16d	2-16d	PER FOOT
ROOF SHEATHING			
WOOD STRUCTURAL PANELS	8d	10d	SEE TABLE S102.1
DIAGONAL BOARD SHEATHING			
1'x6" OR 1'x8"	2-8d	2-10d	PER SUPPORT
1'x10" OR WIDER	3-8d	3-10d	PER SUPPORT

TABLE S102.4 - BUILDING ENVELOPE REQUIREMENTS

OPAQUE ELEMENTS	ASSEMBLY MAXIMUM	INSULATION MIN. R-VALUE
ROOFS		
INSULATION ENTIRELY ABOVE DECK	U-0.048	R-20.0 c.i.
METAL BUILDING	U-0.065	R-19
ATTIC AND OTHER	U-0.027	R-38
MASS	U-0.151	R-5.7 c.i. Ⓢ
WALLS, ABOVE GRADE		
METAL BUILDING	U-0.113	R-19.0
STEEL-FRAMED	U-0.124	R-19.0
WOOD-FRAMED AND OTHER	U-0.089	R-19.0
MASS	U-0.107	R-6.9 c.i.
FLOORS		
STEEL JOIST	U-0.052	R-19.0
WOOD FRAMED AND OTHER	U-0.051	R-19.0
SLAB-ON-GRADE		
UN-HEATED	F-0.730	NR
OPAQUE DOORS		
SWINGING	U-0.700	NR
NON-SWINGING	U-1.450	NR

c.i. = CONTINUOUS INSULATION; NR = NO INSULATION REQUIREMENT
Ⓢ = EXCEPTION APPLIES



TYPICAL CONNECTION DETAILS
SCALE: NTS

ROOF UNDERLAYMENT NOTES

- FOR ROOF SLOPES FROM TWO UNITS VERTICAL IN 12 UNITS HORIZONTAL (17-PERCENT SLOPE), UP TO FOUR UNITS VERTICAL IN 12 UNITS HORIZONTAL (33-PERCENT SLOPE), UNDERLAYMENT SHALL BE TWO LAYERS APPLIED IN THE FOLLOWING MANNER:
 - APPLY A 1/4 INCH STRIP OF UNDERLAYMENT FELT PARALLEL WITH AND STARTING AT THE EAVES, FASTENED SUFFICIENTLY TO HOLD IN PLACE. STARTING AT THE EAVE, APPLY 36 INCH WIDE SHEETS OF UNDERLAYMENT, OVERLAPPING SUCCESSIVE SHEETS 14 INCHES, AND FASTENED SUFFICIENTLY TO HOLD IN PLACE.
- FOR ROOF SLOPES OF FOUR UNITS VERTICAL IN 12 UNITS HORIZONTAL (33-PERCENT SLOPE) OR GREATER, UNDERLAYMENT SHALL BE ONE LAYER APPLIED IN THE FOLLOWING MANNER:
 - UNDERLAYMENT SHALL BE APPLIED SHINGLE FASHION, PARALLEL TO AND STARTING FROM THE EAVE AND OFFSET 2 INCHES, FASTENED SUFFICIENTLY TO HOLD IN PLACE. END LAPS SHALL BE OFFSET BY 6 FEET.

SHINGLE APPLICATION & FASTENING NOTES

- ASPHALT STRIP SHINGLES SHALL HAVE A MINIMUM OF SIX FASTENERS PER SHINGLE WHERE THE ROOF IS IN ONE OF THE FOLLOWING CATEGORIES:
 - THE BASIC WIND SPEED IS 110 MPH OR GREATER AND THE EAVE IS 20 FEET OR HIGHER ABOVE GRADE.
 - THE BASIC WIND SPEED IS 120 MPH OR GREATER.
 - SPECIAL WIND ZONES.

GENERAL UPLIFT CONNECTION NOTES

ROOF ASSEMBLY TO WALL ASSEMBLY:
UPLIFT CONNECTIONS SHALL BE FROM RAFTER OR TRUSS TO WALL STUD. WHEN RAFTERS OR TRUSSES ARE NOT LOCATED DIRECTLY ABOVE STUDS, RAFTERS SHALL BE ATTACHED TO THE WALL PLATE AND THE WALL TOP PLATE SHALL BE ATTACHED TO THE WALL STUD WITH UPLIFT CONNECTIONS. UPLIFT CONNECTIONS SHALL BE IN ACCORDANCE WITH TABLE S102.10.

WALL ASSEMBLY TO WALL ASSEMBLY:
STORY TO STORY UPLIFT CONNECTIONS FROM UPPER STORY WALL STUD TO LOWER STORY WALL STUD. WHEN UPPER STORY WALL STUDS ARE NOT LOCATED DIRECTLY ABOVE LOWER WALL STUDS, THE STUDS SHALL BE ATTACHED TO A COMMON MEMBER IN THE FLOOR ASSEMBLY BY UPLIFT CONNECTIONS. UPLIFT CONNECTIONS SHALL BE IN ACCORDANCE WITH TABLE S102.11.

WALL ASSEMBLY TO FOUNDATION:
FIRST FLOOR WALL STUDS SHALL BE CONNECTED TO THE FOUNDATION, SILL, PLATE, OR BOTTOM PLATE. A MINIMUM OF A 1-1/4" x 20 GA. ASTM A653 GRADE 33 STEEL STRAP SHALL BE NAILED TO THE WALL STUDS AND HAVE A MINIMUM EMBEDMENT OF 1 INCHES IN CONCRETE FOUNDATIONS AND SLABS-ON-GRADE, 15 INCHES IN MASONRY BLOCK FOUNDATIONS, OR BE LAPPED UNDER THE BOTTOM PLATE, 3 INCH SQUARE WASHERS SHALL BE USED ON THE ANCHOR BOLTS AND ANCHOR BOLT SPACINGS SHALL NOT EXCEED THE REQUIREMENTS. STEEL STRAPS EMBEDDED IN OR IN CONTACT WITH SLAB-ON-GRADE OR MASONRY BLOCK FOUNDATIONS SHALL BE HOT-DIPPED GALV. OR MANUF. FROM G185 OR Z450 GALV. STL. CONNECTIONS SHALL BE IN ACCORDANCE WITH TABLE S102.12.

TABLE S102.1 - ROOF SHEATHING OR CLADDING REQUIREMENT - 130 MPH WIND LOAD EXP "C"

SHEATHING LOCATION	RAFTER / TRUSS SPACING	MAX NAIL SPACING FOR 8d COMMON NAILS OR 10d BOX NAILS (INCHES OC)	
		E	F
INTERIOR ZONE	12" OC	6	12
	16" OC	6	12
	24" OC	6	12
PERIMETER EDGE ZONE	12" OC	6	12
	16" OC	6	12
	24" OC	6	6

110 MPH WIND - EXPOSURE 'C' TYPICAL
E = NAIL SPACING AT PANEL EDGES, INCHES.
F = NAIL SPACING AT INTERMEDIATE SUPPORTS IN THE PANEL FIELD, INCHES.

TYPICAL CONNECTION DETAILS, SCHEDULES, AND NOTES

DAMMON ENGINEERING, INC.

LOUISIANA & MISSISSIPPI

Chief Engineer: Brian M. Hestrich, PE
554 Old Spanish Trail
Slidell, LA 70458
www.dammonengineering.com
info@dammonengineering.com
PH: 985-649-5832

DATE	REVISIONS	DESCRIPTION

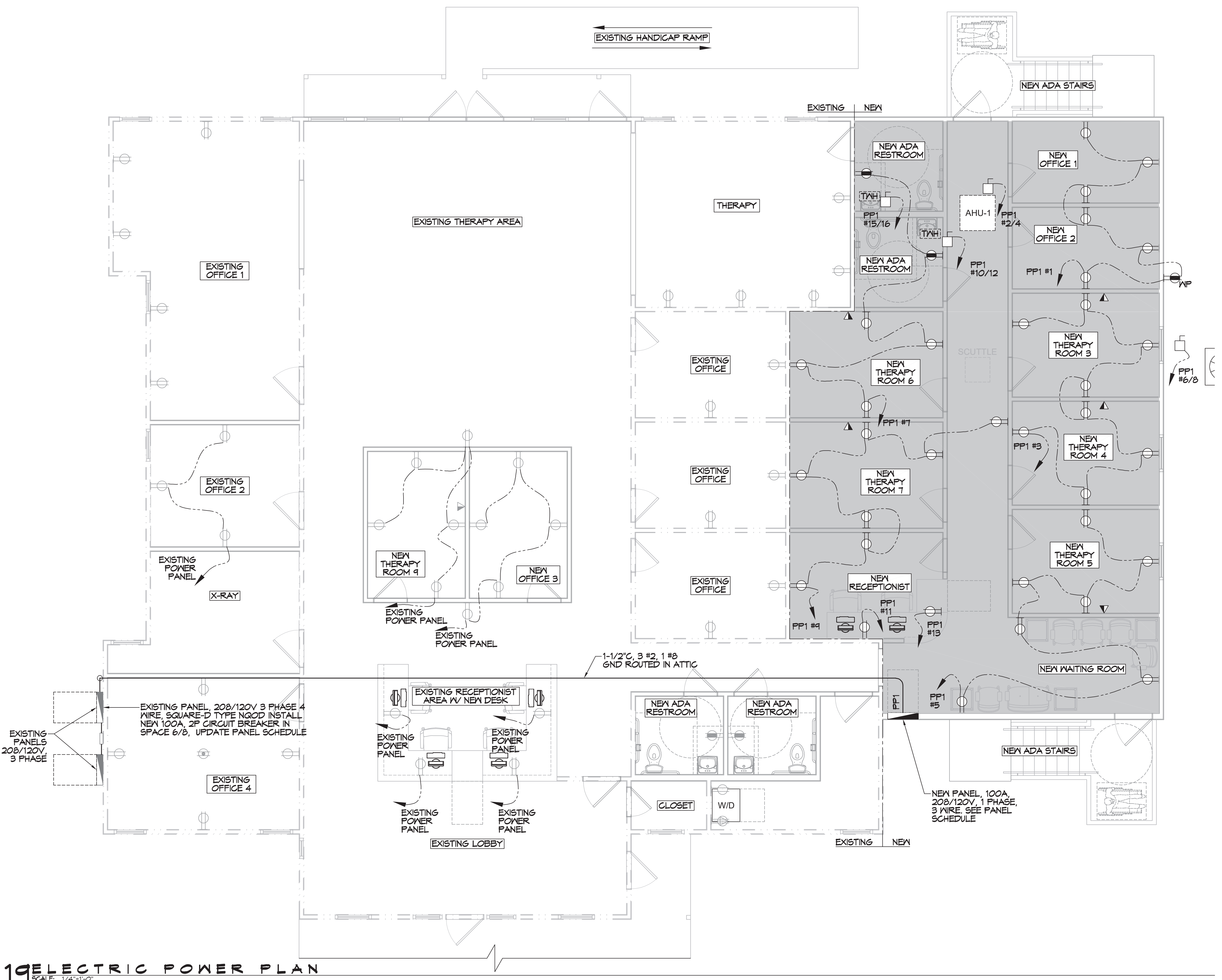
DATE: 04-30-2022
JOB NO: DD/KJK
DRAWN BY: DD/KJK
CHECKED BY: JMS

56664 BOG WORTH ST.
SLIDELL, LA 70458

IS T N L O A I E T H U L A O L S

SHEET TITLE: TYPICAL CONNECTION DETAILS, SCHEDULES, AND NOTES
DRAWING NUMBER: A104
SHEET No: 5 of 12

PLOT: 10/11/2022 10:58 AM 19ELECTRIC POWER PLAN - Electrical Power Plan - 19ELECTRIC POWER PLAN - 10/11/2022 10:58 AM



19ELECTRIC POWER PLAN
SCALE: 1/4"=1'-0"

GENERAL POWER NOTES

1. ALL WORK SHALL CONFORM TO THE LATEST EDITION OF THE NATIONAL ELECTRICAL CODE, THE GOVERNING ELECTRICAL CODE AND ALL OTHER INSPECTION DEPARTMENTS HAVING JURISDICTION. OBTAIN CERTIFICATES OR APPROVAL WHERE REQUIRED. ELECTRICAL CONTRACTOR SHALL VERIFY ALL WIRE AND CONDUIT SIZES FOR MECHANICAL EQUIPMENT TO BE INSTALLED.
2. ALL MATERIALS FURNISHED SHALL BE NEW AND SHALL BE U.L. LISTED.
3. THE DRAWINGS INDICATE SIZE AND GENERAL LOCATION OF WORK. SCALE DIMENSIONS SHALL NOT BE USED. THE EXACT LOCATION OF ALL LIGHTING FIXTURES, RECEPTACLES AND TELEPHONE OUTLETS, ETC. SHALL BE DETERMINED BY ACTUAL CONDITIONS IN THE FIELD.
4. PRIOR TO BIDDING, CONTRACTOR SHALL VISIT THE JOB SITE AND FAMILIARIZE THEMSELVES WITH THE EXISTING CONDITIONS.
5. ELECTRICAL CONTRACTOR SHALL COORDINATE HIS WORK WITH OTHER TRADES AND WITH OTHER CONTRACTORS WHOSE WORK MAY AFFECT THIS INSTALLATION.
6. ELECTRICAL CONTRACTOR SHALL COORDINATE INCOMING ELECTRICAL SERVICE WITH UTILITY COMPANY AND INCLUDE IN HIS BID ALL CHARGES AND FEES INCURRED IN MODIFICATIONS.
7. ELECTRICAL CONTRACTOR SHALL COORDINATE THE TELEPHONE INSTALLATION WITH THE TELEPHONE COMPANY AND THE GENERAL CONTRACTOR.
8. ELECTRICAL CONTRACTOR, BEFORE INSTALLING ANY OF THE WORK, SHALL SEE THAT IT DOES NOT INTERFERE WITH CLEARANCES REQUIRED FOR FINISHED COLUMNS, HUNG CEILING, PLASTER, PARTITIONS, WALLS, ETC. AS SHOWN IN THE ARCHITECTURAL DRAWINGS AND DETAILS. IF ANY WORK IS INSTALLED AND IT LATER DEVELOPS THAT SUCH DETAILS OR DESIGN CANNOT BE FOLLOWED, THE CONTRACTOR, AT HIS OWN EXPENSE, SHALL MAKE SUCH CHANGES IN THE WORK AS DIRECTED BY THE ARCHITECT, AS WELL AS TO PERMIT THE INSTALLATION OF THE ARCHITECTURAL WORK AS SHOWN ON THE PLANS AND DETAILS.
9. PERFORM TEST REQUIRED BY THE OWNER OR THE ENGINEER IN CONNECTION WITH THE OPERATION OF THE ELECTRICAL SYSTEM IN THE BUILDING. ALL TESTS SHALL BE MADE IN ACCORDANCE WITH THE LATEST STANDARD OF THE IEEE AND THE NATIONAL ELECTRICAL CODE.
10. MINIMUM CONDUCTOR SIZE SHALL BE #12, 600V INSULATION. MINIMUM SIZE CONDUIT SHALL BE 3/4" ELECTRICAL METALLIC TUBING (EMT) FOR INTERIOR USE, 3/4" RIGID ALUMINUM FOR EXTERIOR USE ABOVE GRADE AND 1" SCHEDULE 40 PVC, BURIED A MINIMUM OF 18" FOR NON-VEHICULAR TRAFFIC AREAS, FOR CONDUITS BELOW GRADE. EMT SHALL BE USED WITH METAL STUD CONSTRUCTION AND ALL ASSEMBLY OCCUPANCIES. 6 FT LENGTH MC CABLE IS ALLOWED ABOVE DROPPED CEILING. INTERIOR FITTINGS SHALL BE CAST WHERE EXPOSED ON WALLS, AND EXTERIOR FITTINGS SHALL BE CAST BOXES WITH NEMA 3R COVERS(S).
11. CONTRACTOR SHALL INSTALL WIRING AND OTHER CIRCUIT COMPONENTS TO MATCH EQUIPMENT ACTUALLY INSTALLED.
12. ALL 120V RUNS LONGER THAN 60 FEET SHALL BE #10 AWG AND 277V RUNS LONGER THAN 150 FEET SHALL BE #10 AWG UNLESS NOTED OTHERWISE.
13. INSTALL GROUND FAULT RECEPTACLES AT RECEPTACLE LOCATIONS WITHIN 5' OF SINKS OR LAVATORIES, AND AT EXTERIOR LOCATIONS. EXTERIOR RECEPTACLES SHALL ALSO BE WATERPROOF. ALL RECEPTACLES IN A KITCHEN AREA SHALL HAVE GROUND FAULT PROTECTION.
14. BONDING AND GROUNDING SHALL BE IN ACCORDANCE WITH NFPA 70:250-63, NFPA 250-23, 250-11 & 250-12.
15. GROUND NEUTRAL IN ACCORDANCE WITH NFPA 70:250-23b.
16. FUSES SHALL BE ITC CLASS K5, 250 VOLT, 200,000 AMP INTERRUPTING CAP.
17. PROVIDE SERVICES OF A FIRE/SMOKE DETECTION AND ALARM COMPANY TO DESIGN AND INSTALL ALARM SYSTEM TO MEET REQUIREMENTS OF THE STATE FIRE MARSHALL AND THE FIRE DISTRICT.
18. EXTERIOR LIGHTING SHALL BE SHADED OR INWARDLY DIRECTED IN SUCH A MANNER SO THAT NO DIRECT LIGHTING OR GLARE IS CAST BEYOND THE PROPERTY LINE. THE INTENSITY OF SUCH LIGHTING SHALL NOT EXCEED ONE FOOT CANDLE AS MEASURED AT THE ABUTTING PROPERTY LINE.
19. ALL ELECTRICAL, MECHANICAL AND PLUMBING PENETRATING FIRE PARTITIONS SHALL BE FIRE CAULKED. (PENETRATIONS THROUGH RATED CONSTRUCTION SHALL BE SEALED WITH A MATERIAL CAPABLE OF PREVENTING THE PASSAGE OF FLAMES AND HOT GASES WHEN TESTED IN ACCORDANCE WITH ASTM-E814.)
20. VERIFY ELECTRICAL CONNECTIONS PER MANUFACTURER'S RECOMMENDATIONS.

POWER LEGEND

- STANDARD 120V DUPLEX RECEPTACLE, NEMA 5-2 OR 15" AFF (UNLESS OTHERWISE NOTED)
- GFCI DUPLEX RECEPTACLE
- DATA RECEPTACLE
- WEATHER-PROOF GFCI DUPLEX RECEPTACLE MOUNTED AT 30" AFF (UNLESS OTHERWISE NOTED)
- FUSED DISCONNECT
- EXISTING 240V DUPLEX RECEPTACLE - CONNECTED TO EXISTING POWER PANEL
- EXISTING DATA RECEPTACLE - CONNECTED TO EXISTING POWER PANEL
- EXISTING FLOOR DUPLEX RECEPTACLE - CONNECTED TO EXISTING POWER PANEL
- EXISTING DUPLEX RECEPTACLE - CONNECTED TO EXISTING POWER PANEL
- CIRCUIT HOME RUN

NOTE:
REPLACE NECESSARY FIXTURES CAUSED BY REMODEL AND REUSE FIXTURES WHEN ABLE

DAMMON ENGINEERING, INC.
LOUISIANA & MISSISSIPPI

www.dammonengineering.com
554 Old Spanish Trail
Bossier City, LA 70098
PH: 985-647-3832

#	DESCRIPTION	DATE

SEAL:

Brian A. Mistich
Professional Engineer
License No. 3018

LS AULTON HATS

56654 BOSWORTH ST.
SLIDELL, LA 70458

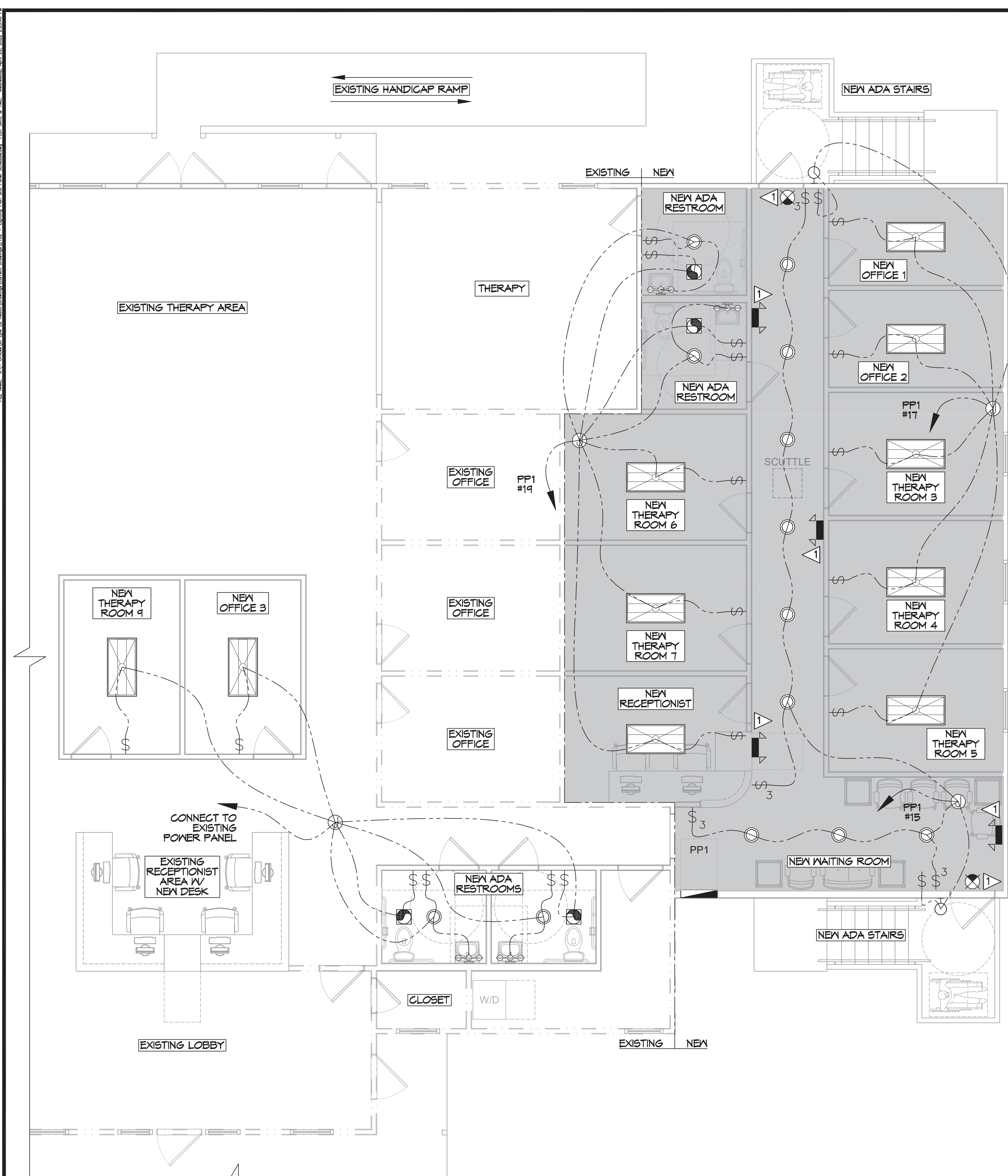
JOB NO: _____
DRAWN BY: _____
DATE: 04-20-2022
CHECKED BY: _____

SHEET TITLE:
ELECTRICAL POWER PLAN

DRAWING NUMBER:

E101

SHEET No: 11 of 12



20 ELECTRIC POWER PLAN
SCALE: 1/4"=1'-0"

LIGHTING LEGEND

- 2x4 LED LIGHTING FIXTURE
- LED RECESSED LIGHT FIXTURE
- LED EXTERIOR WALL MOUNTED LIGHT FIXTURE
- LED VANITY LIGHT
- JUNCTION BOX
- EMERGENCY LIGHT FIXTURE
- EXIT LIGHT FIXTURE
- LIGHT SWITCH 120V COMMERCIAL GRADE
- 3-WAY LIGHT SWITCH 120V COMMERCIAL GRADE
- EXHAUST FAN SEE MECHANICAL PLAN
- CIRCUIT HOME RUN

KEY NOTES

1. PROVIDE CONNECTION TO UN-SWITCHED HOT OF LIGHTING CIRCUIT AND SHALL HAVE 90 MINUTE EMERGENCY BATTERY BACKUP.

NOTE:
REPLACE NECESSARY FIXTURES CAUSED BY REMODEL AND REUSE FIXTURES WHEN ABLE

GENERAL LIGHTING NOTES

1. ALL WORK SHALL COMPLY WITH APPLICABLE NATIONAL, STATE, AND LOCAL CODES, RULES, REGULATIONS, AND REQUIREMENTS OF THE SERVICE UTILITY COMPANY.
2. GENERAL CONTRACTOR SHALL NOTIFY THE ARCHITECT IMMEDIATELY IF ANY CONFLICTS OCCUR BETWEEN LIGHTING AND ANY OTHER TRADE. DO NOT PROCEED WITH INSTALLATION IN THAT AREA UNTIL CONFLICT HAS BEEN RESOLVED TO THE SATISFACTION OF THE ARCHITECT AND ENGINEER.
3. REFER TO ARCHITECTURAL DRAWINGS FOR EXACT LOCATION AND MOUNTING INSTRUCTIONS FOR ALL LIGHT FIXTURES. NOTIFY THE ARCHITECT AND ENGINEER OF ANY DISCREPANCIES BETWEEN THESE PLANS AND THE ARCHITECTURAL PLANS RELATING TO QUANTITY, TYPE AND LOCATION OF DEVICES AND/OR FIXTURES.
4. WHEN SPECIFIC LIGHT FIXTURE HAS BEEN SPECIFIED IN THE FIXTURE SCHEDULE, ELECTRICAL CONTRACTOR SHALL PROVIDE COMPLETE ASSEMBLY INCLUSIVE ALL PARTS AND HARDWARE TO INSURE PROPER FUNCTIONING FIXTURE.
5. ALL CONDUCTORS SHALL BE A MINIMUM OF #12 AWG UNLESS NOTED OTHERWISE.
6. ALL 120V RUNS LONGER THAN 60 FEET SHALL BE #10 AWG AND 277V RUNS LONGER THAN 150 FEET SHALL BE #10 AWG UNLESS NOTED OTHERWISE.
7. ALL CONDUCTORS SHALL BE COPPER.
8. WHERE CONDUCTOR SIZES ARE NOTED ON DRAWINGS, THAT WIRE SIZE SHALL BE THROUGH THE ENTIRE RUN UNLESS OTHERWISE NOTED.
9. MOUNTED LIGHT SWITCHES 48" AFF UNLESS NOTED OTHERWISE ON ARCHITECTURAL DRAWINGS.
10. WHERE MORE THAN ONE SWITCH OCCURS IN THE SAME LOCATION, THEY SHALL BE INSTALLED IN A GANG TYPE BOX UNDER ONE COVER PLATE. ALL GANGED SWITCHES SHALL HAVE A COMMON SEAMLESS FACEPLATE. EACH MULTI-GANGED BOX SHALL BE NO MORE THAN SIX (6) SWITCHES WIDE. WHERE MORE THAN SIX (6) SWITCHES ARE SHOWN AT ONE (1) LOCATION, ADDITIONAL MULTI-GANGED BOXES SHALL BE STACKED VERTICALLY AND THE WIDTH OF THE MULTI-GANGS SHALL BE AS EVEN AS POSSIBLE.
11. EACH DIMMER SWITCH SHALL HAVE A WATTAGE RATING 25% HIGHER THAN THE TOTAL WATTAGE OF ALL LIGHTS TO BE CONTROLLED BY THE DIMMER. DIMMER SIZES 600, 1000, 1500, AND 2000 WATTS, LUTRON NOVA T-STAR. WHERE SWITCHES ARE GANGED WITH DIMMERS, THE SWITCHES SHALL ALSO BE LUTRON NOVA T-STAR. FLUORESCENT AND LOW VOLTAGE DIMMERS SHALL BE LUTRON NOVA T-STAR.
12. WHERE FLUORESCENT FIXTURES ARE SHOWN TO BE DIMMED, THE FIXTURES SHALL HAVE DIMMING TYPE BALLASTS WHICH ARE COMPATIBLE WITH THE SPECIFIED DIMMERS.
13. WHERE LED FIXTURES/LAMPS ARE SHOWN TO BE DIMMED, THE DIMMER SHALL BE COMPATIBLE WITH THE FIXTURE/LAMP SPECIFIED OR PROVIDED.
14. ALL EMERGENCY EXIT LIGHT FIXTURES SHALL HAVE 90 MINUTE BATTERY BACKUP WITH INTEGRAL TEST BUTTON AND SHALL BURN CONTINUOUSLY.
15. ALL FLUORESCENT FIXTURES THAT UTILIZE DOUBLE-ENDED LAMPS AND CONTAIN BALLASTS SHALL BE PROVIDED WITH A DISCONNECTING MEANS IN ACCORDANCE WITH NEC 410.136.

PANEL SCHEDULE

PANEL:		PP1		VOLTAGE:		208/120, 1Ø, 3W W/ 100A MAIN BREAKER					
LOCATION:		WAITING ROOM		ENCLOSURE:		FLUSH MOUNTED W/ EQUIPMENT GND BAR SQ D TYPE GO LOAD CENTER					
FEEDER SOURCE:		EXISTING PANEL									
CKT NO	THHN WIRE SIZE	LOAD DESCRIPTION	BREAKER	LOAD (VA)	AØ	BØ	LOAD (VA)	BREAKER	LOAD DESCRIPTION	THHN WIRE SIZE	CKT NO
		LOCATION	AMP POLE					POLE AMP	LOCATION		
1	#12	RECEPTACLES, OFFICE 1 & 2	20 1	1260			2400	2	AIR HANDLING UNIT	#10	2
3	#12	RECEPTACLES, EXAM ROOMS 3 & 4	20 1	1440			2400	30			4
5	#12	RECEPTACLES, EXAM ROOM 5 AND WAITING ROOM	20 1	1260			1000	2 30	CONDENSER UNIT	#10	6
7	#12	RECEPTACLES, EXAM ROOM 6 AND REST ROOMS	20 1	1080			1000				8
9	#12	RECEPTACLES, EXAM ROOM 7 AND RECEPTIONIST	20 1	1080			1500				10
11	#12	RECEPTACLES RECEPTIONIST COUNTER	20 1	180			1500	1 30	ON DEMAND WATER HEATER	#10	12
13	#12	RECEPTACLE RECEPTIONIST COUNTER	20 1	180			1500	1 30	ON DEMAND WATER HEATER	#10	14
15	#12	LIGHTS, WAITING ROOM AND HALL	20 1	600			1500				16
17	#12	LIGHTS, OFFICE 1 & 2 AND EXAM ROOMS 3, 4 & 5	20 1	300				1	SPACE		18
19	#12	LIGHTS, EXAM ROOMS 6 & 7 RESTROOMS AND RECEPTIONIST	20 1	300				1	SPACE		20
21		SPACE		1				1	SPACE		22
23		SPACE		1				1	SPACE		24
				TOTAL CONNECTED LOAD (VA) = 14,480				GROUND BUS GROUND WIRE (G)			
				A Ø = 7,480		B Ø = 7,000					

DAMMON ENGINEERING, INC.
LOUISIANA & MISSISSIPPI
www.dammonengineering.com
info@dammonengineering.com
554 Old Spanish Trail
St. Charles, LA 70458
PH: 985-649-5832

DATE	REVISIONS
	#1 DESCRIPTION



DATE: 04-20-2022
DRAWN BY: KCD
CHECKED BY: KCD

SHEET TITLE:
LIGHTING PLAN AND PANEL SCHEDULE

DRAWING NUMBER:
E102

SHEET No: 12 of 12