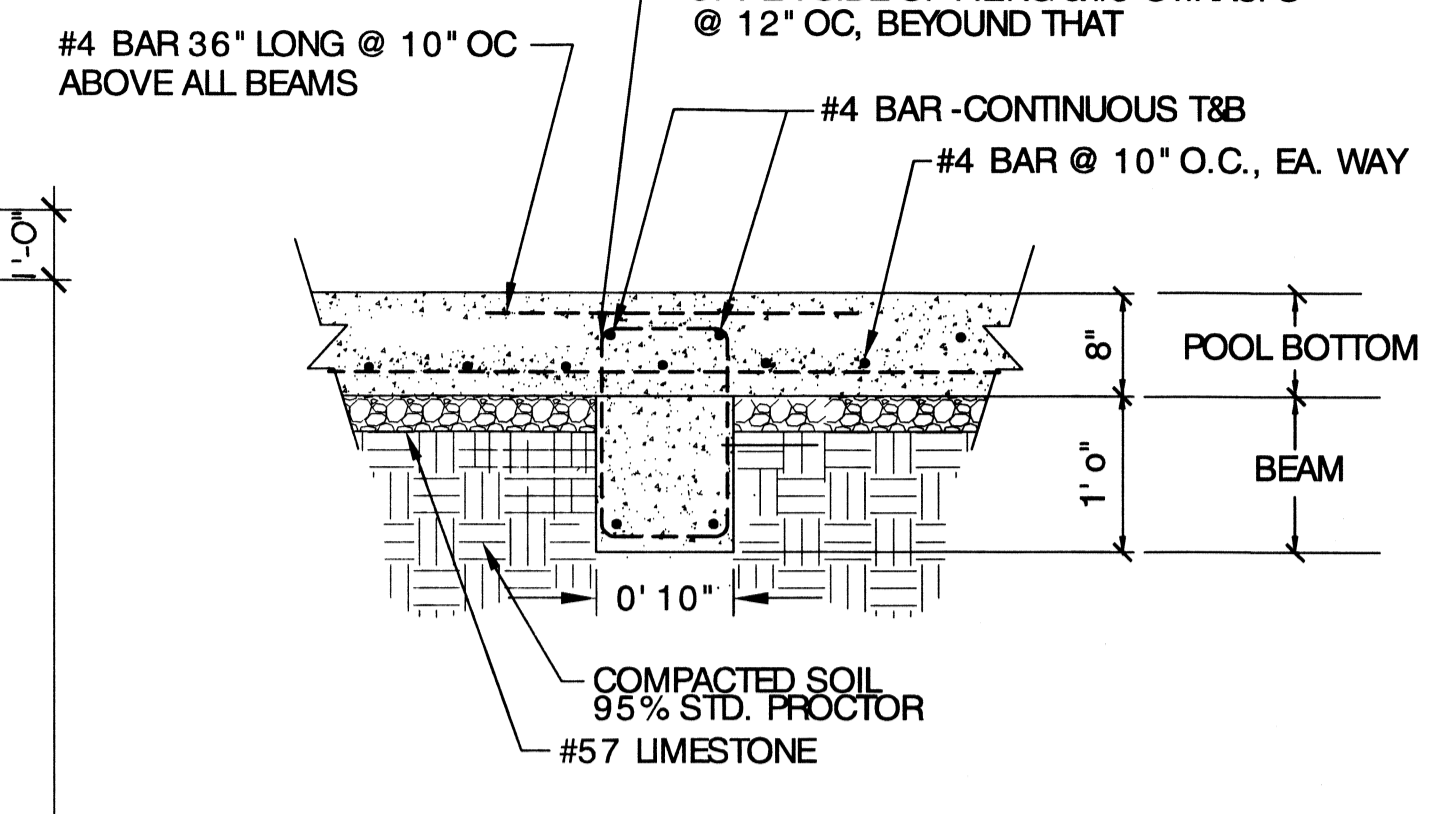
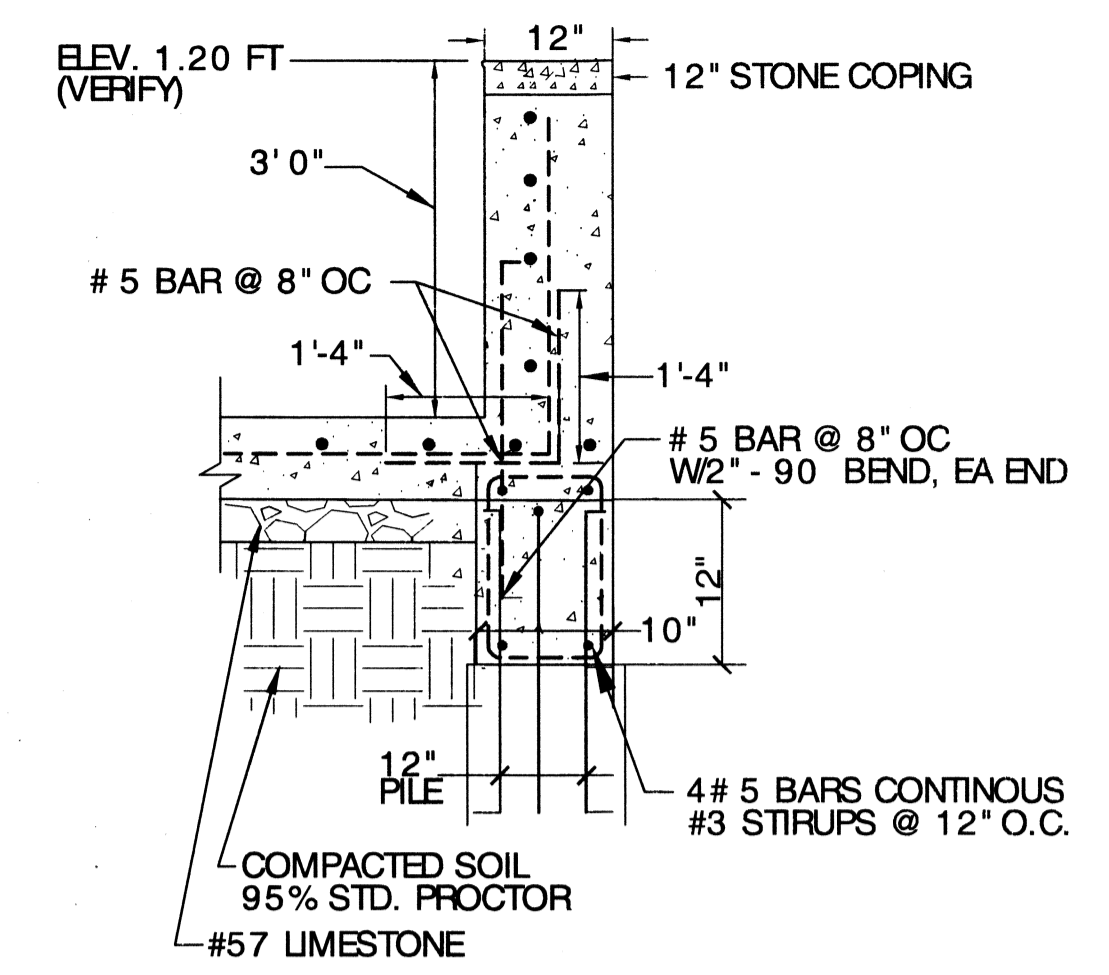


POOL BEAM PLAN
SCALE 3/8" = 1'

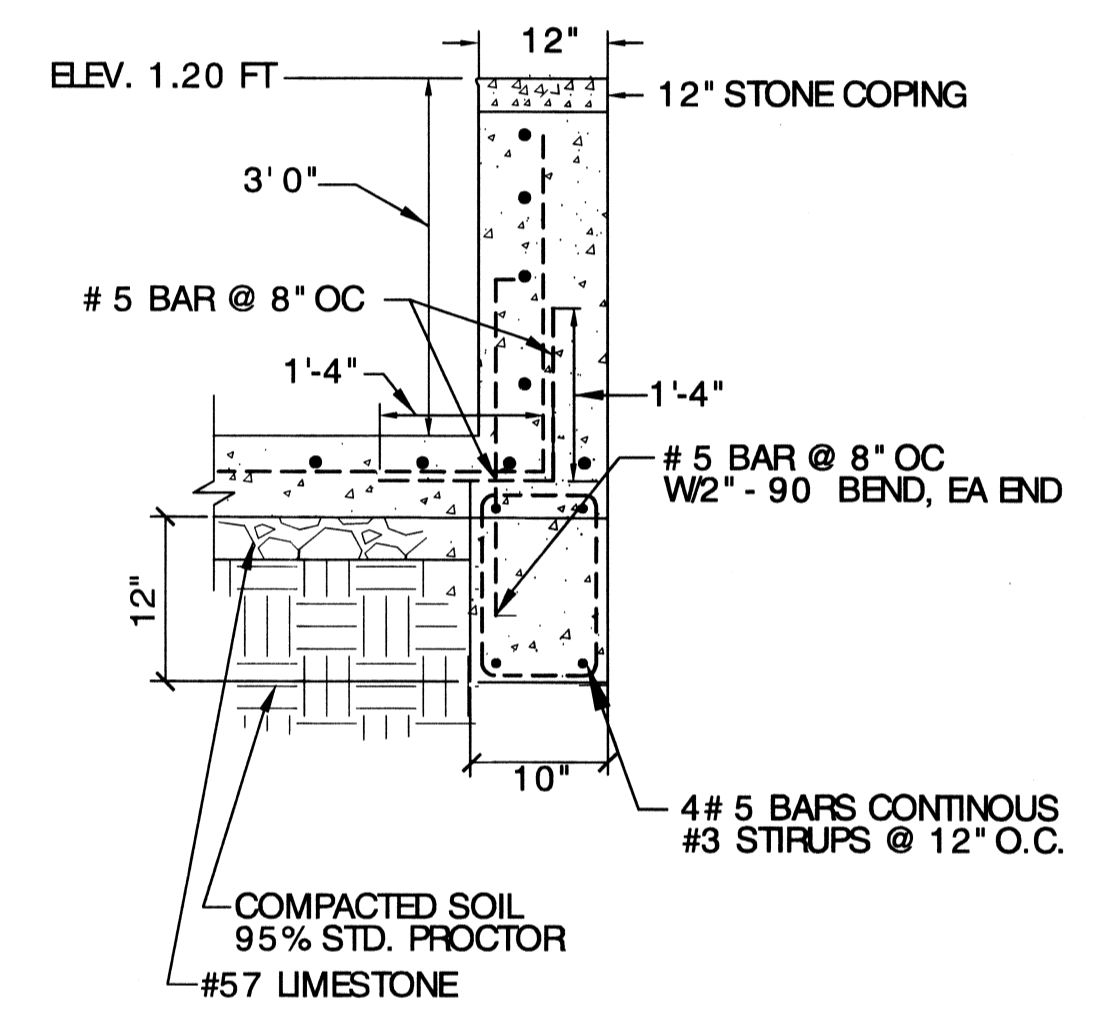
- NOTES:**
1. TOP OF POOL COPING ELEVATION = 1.20'. COORDINATE ELEVATIONS WITH CIVIL DRAWINGS. DEPTHS SHOWN ARE FROM TOP OF COPING. DEPTH OF TOP OF BEAM AT WALLS = -3'-8". DEPTH TO TOP OF POOL FLOOR FROM COPING = -3'-0".
 2. CONCRETE SHALL BE RATED 4000 LB 2 28 DAYS.



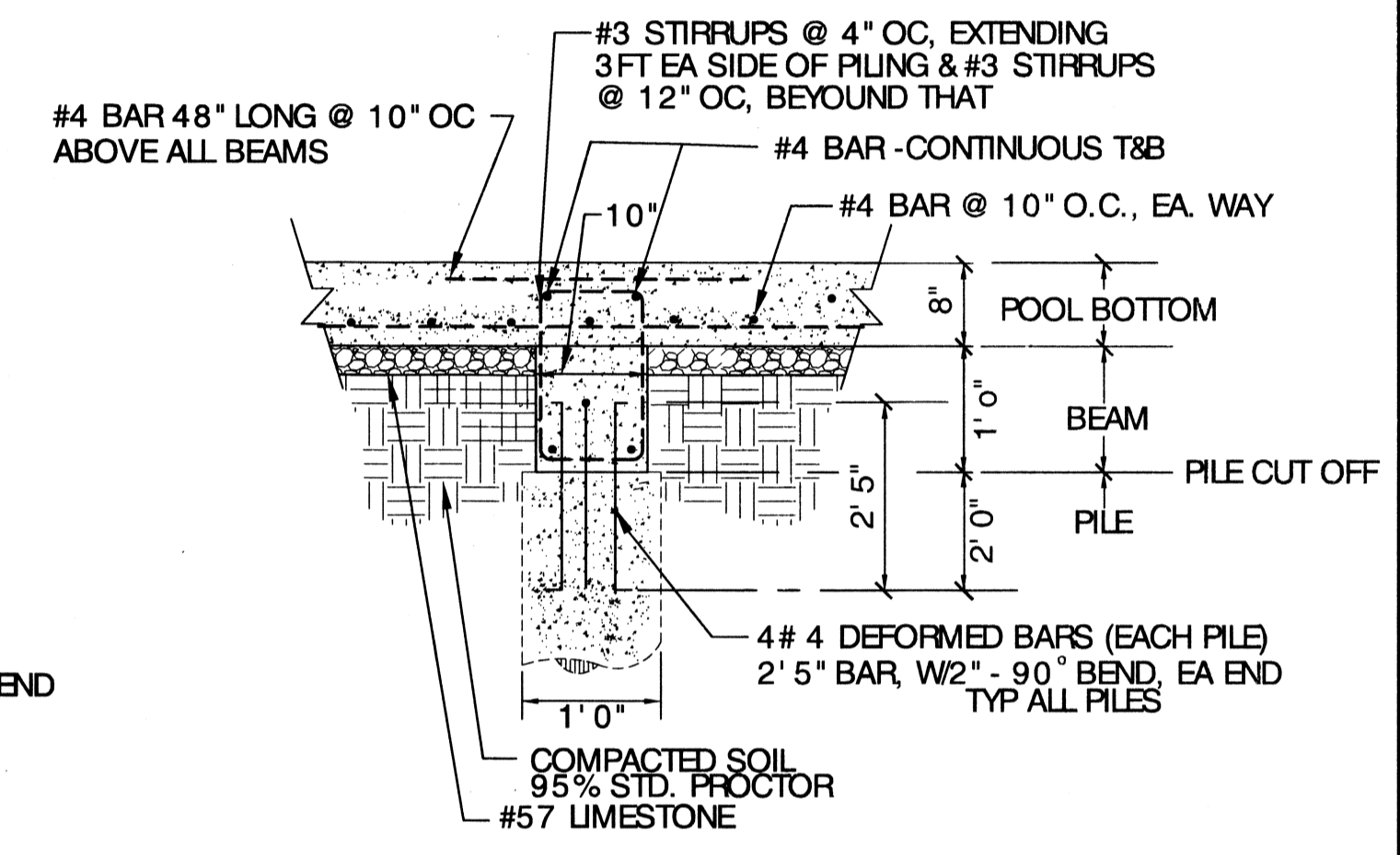
TYP. SECTION A
N.T.S.



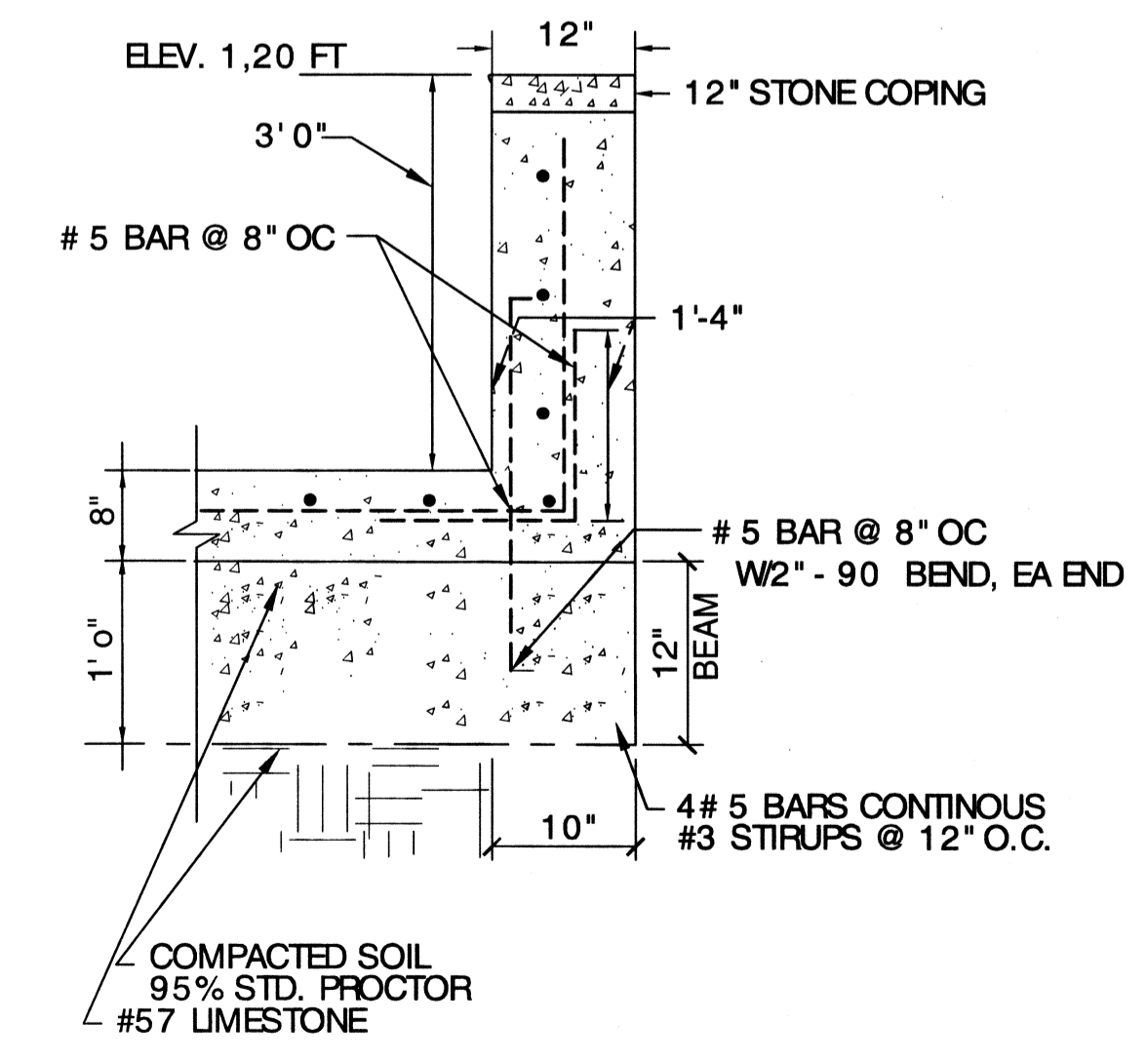
TYP. SECTION D
N.T.S.



TYP. SECTION E
N.T.S.



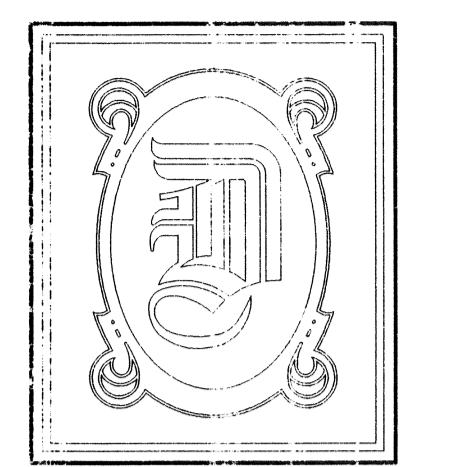
TYP. SECTION B
N.T.S.



TYP. SECTION C
N.T.S.

ELEVATIONS			
DEPTHS FROM TOP OF POOL COPING			
PILE NO.	PILE CUT OFF	TO TOP OF POOL SLAB*	TO TOP OF BEAM *
1	4 FT 8 IN	STEPS	3 FT 8 IN
2	4 FT 8 IN	3 FT 0 IN	3 FT 8 IN
3	4 FT 8 IN	3 FT 0 IN	3 FT 8 IN
4	4 FT 8 IN	STEPS	3 FT 8 IN
5	4 FT 8 IN	3 FT 0 IN	3 FT 8 IN
6	4 FT 8 IN	3 FT 0 IN	3 FT 8 IN
7	4 FT 11 IN	3 FT 3 IN	3 FT 11 IN
8	4 FT 11 IN	3 FT 3 IN	3 FT 11 IN
9	5 FT 2 IN	3 FT 6 IN	4 FT 2 IN
10	4 FT 11 IN	3 FT 6 IN	3 FT 11 IN
11	5 FT 2 IN	3 FT 6 IN	4 FT 2 IN
12	5 FT 5 IN	3 FT 9 IN	4 FT 5 IN
13	5 FT 5 IN	3 FT 9 IN	4 FT 5 IN
14	5 FT 0 IN	3 FT 4 IN	4 FT 0 IN
15	5 FT 2 IN	3 FT 6 IN	4 FT 2 IN
16	5 FT 4 IN	3 FT 8 IN	4 FT 4 IN
17	4 FT 1 IN	3 FT 3 IN	3 FT 11 IN
18	4 FT 11 IN	3 FT 3 IN	3 FT 11 IN
19	5 FT 3 IN	3 FT 7 IN	4 FT 3 IN
20	4 FT 8 IN	3 FT 0 IN	3 FT 8 IN
21	4 FT 8 IN	3 FT 0 IN	3 FT 8 IN
22	4 FT 11 IN	3 FT 3 IN	3 FT 11 IN
23	5 FT 2 IN	3 FT 6 IN	4 FT 2 IN
24	5 FT 3 IN	STEPS	4 FT 3 IN
25	5 FT 3 IN	STEPS	4 FT 3 IN

* NOTE THAT POOL SLAB SITS ON BEAM.
DESIGN OF PILES IS BY OTHERS.
SEE LATEST CIVIL DRAWING FOR ELEV. OF TOP OF COPING.
TOP OF PILE CUT OFF ELEV. ARE GIVEN AS FT. & IN.,
BELOW POOL COPING



DAMMON ENGINEERING, INC.

CHIEF ENGINEER
EMMETT DAMMON, P.E.

CHIEF ARCHITECT
ROBERT WILTSE

554 OLD SPANISH TRAIL
SLIDELL, LA 70453
OFFICE: 985-549-5832
FAX: 985-641-5950

WEBSITE:
WWW.DAMMONENGINEERING.COM
EMAIL:
DAMMONENG@BFLLSOUTH.NET

- ARCHITECTURE
- ENGINEERING
- STUDIES
- PLANNING
- INVESTIGATION
- EXPERT WITNESS

"THE WOODLANDS"
APARTMENTS
CHALMETTE, LA

ROTOLO
CONSULTANTS,
INCORPORATED
894 ROBERT BLVD.
SLIDELL, LA

POOL
FOUNDATION
GRADE BEAM
PLAN



REV: # 1, 3-11-11
REVISED ELEVATION TABLE

SCALE: AS NOTED

JOB#: 2103

DATE: 04-15-11

SHEET

S-2

OF