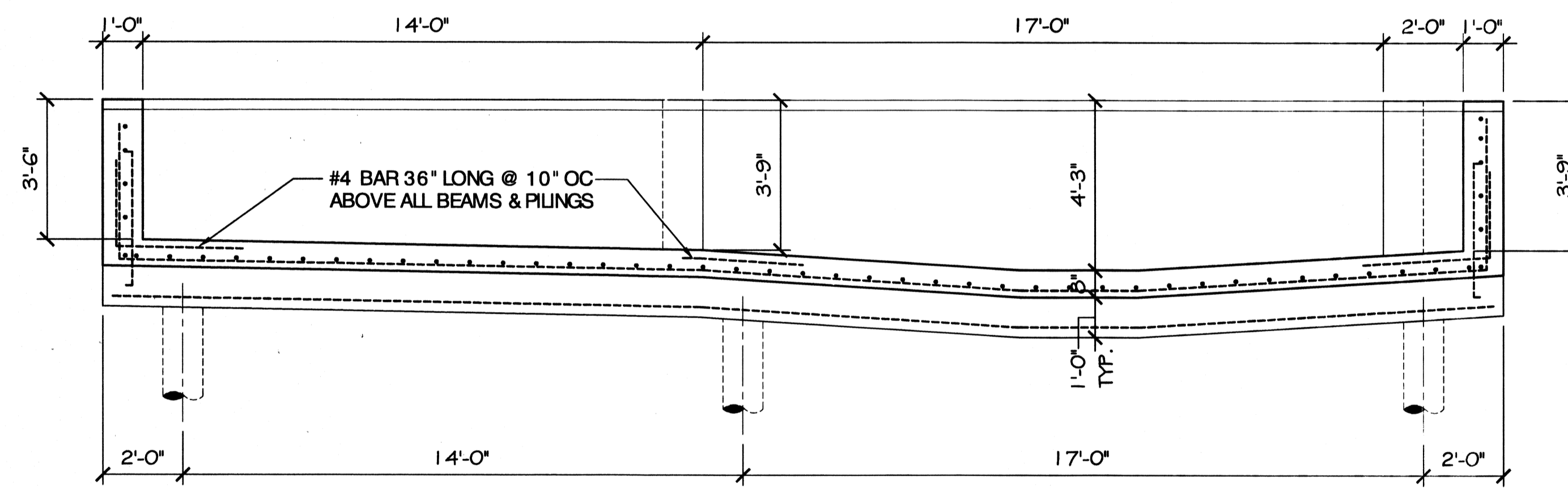
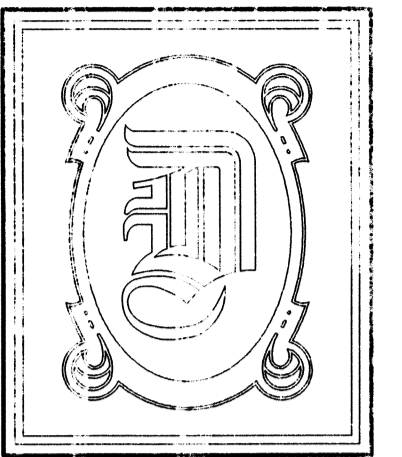


POOL CROSS-SECTION 1
SCALE 3/8"=1'



POOL CROSS-SECTION 2
SCALE 3/8"=1'



DAMMON
ENGINEERING, INC.

CHIEF ENGINEER
EMMETT
DAMMON, P.E.

CHIEF ARCHITECT
ROBERT
WILTSE

554 OLD SPANISH TRAIL
SLIDELL, LA. 70458
OFFICE: 985-649-5532
FAX: 985-641-5950

WEBSITE:
WWW.DAMMONENGINEERING.COM

EMAIL:
DAMMONENG@BELLFLOWER.NET

ARCHITECTURE

ENGINEERING

STUDIES

PLANNING

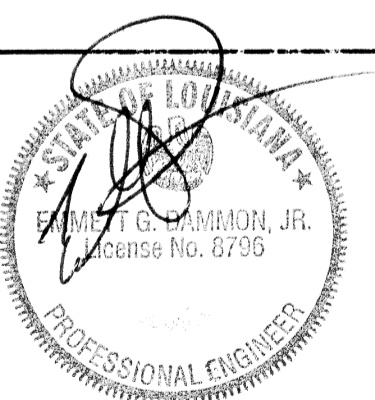
INVESTIGATION

EXPERT WITNESS

FARC
PLACE
APARTMENTS
CHALMETTE, LA

ROTOLO
CONSULTANTS,
INCORPORATED
894 ROBERT BLVD.
SLIDELL, LA

POOL
SECTIONS



REV:

SCALE AS NOTED

JOB#: 2103B

DATE 04-15-11

SHEET

S-3

OF