

DAMMON ENGINEERING, INC.
 CHIEF ENGINEER
 EMAMETT DAMMON, P.E.
 CHIEF ARCHITECT
 ROBERT WILTSE

554 OLD SPANISH TRAIL
 SLIDELL, LA. 70456
 OFFICE: 985-649-5832
 FAX: 985-641-5950

WEBSITE:
 WWW.DAMMONENGINEERING.COM
 EMAIL:
 DAMMONENG@BELLSOUTH.NET

ARCHITECTURE
 ENGINEERING
 STUDIES
 PLANNING
 INVESTIGATION
 EXPERT WITNESS

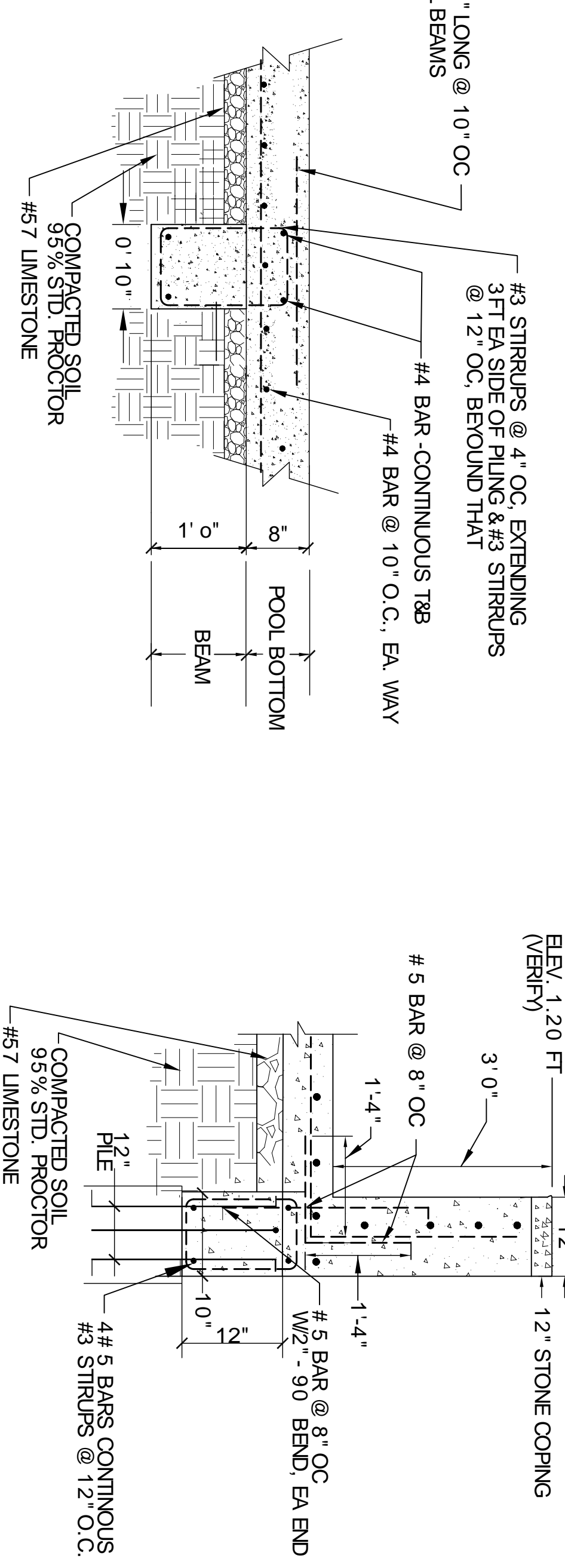
MAGNOLIA PARK APARTMENTS CHALMETTE, LA

COX POOLS
 22656 CANAL RD
 ORANGE BEACH, AL

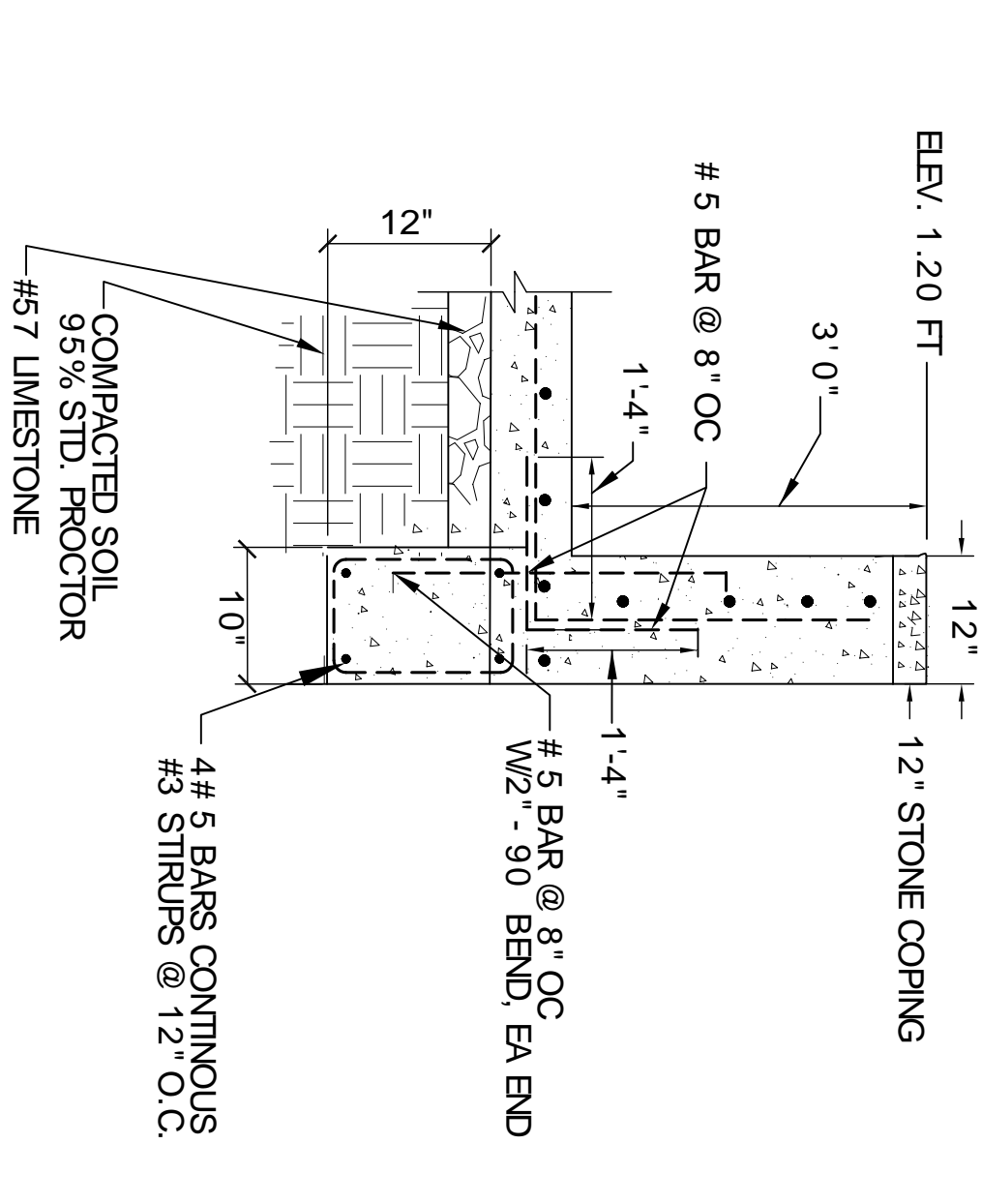
POOL FOUNDATION GRADE BEAM PLAN

REV:
 SCALE: AS NOTED
 JOB#: 2103C
 DATE: 04-15-11
 SHEET

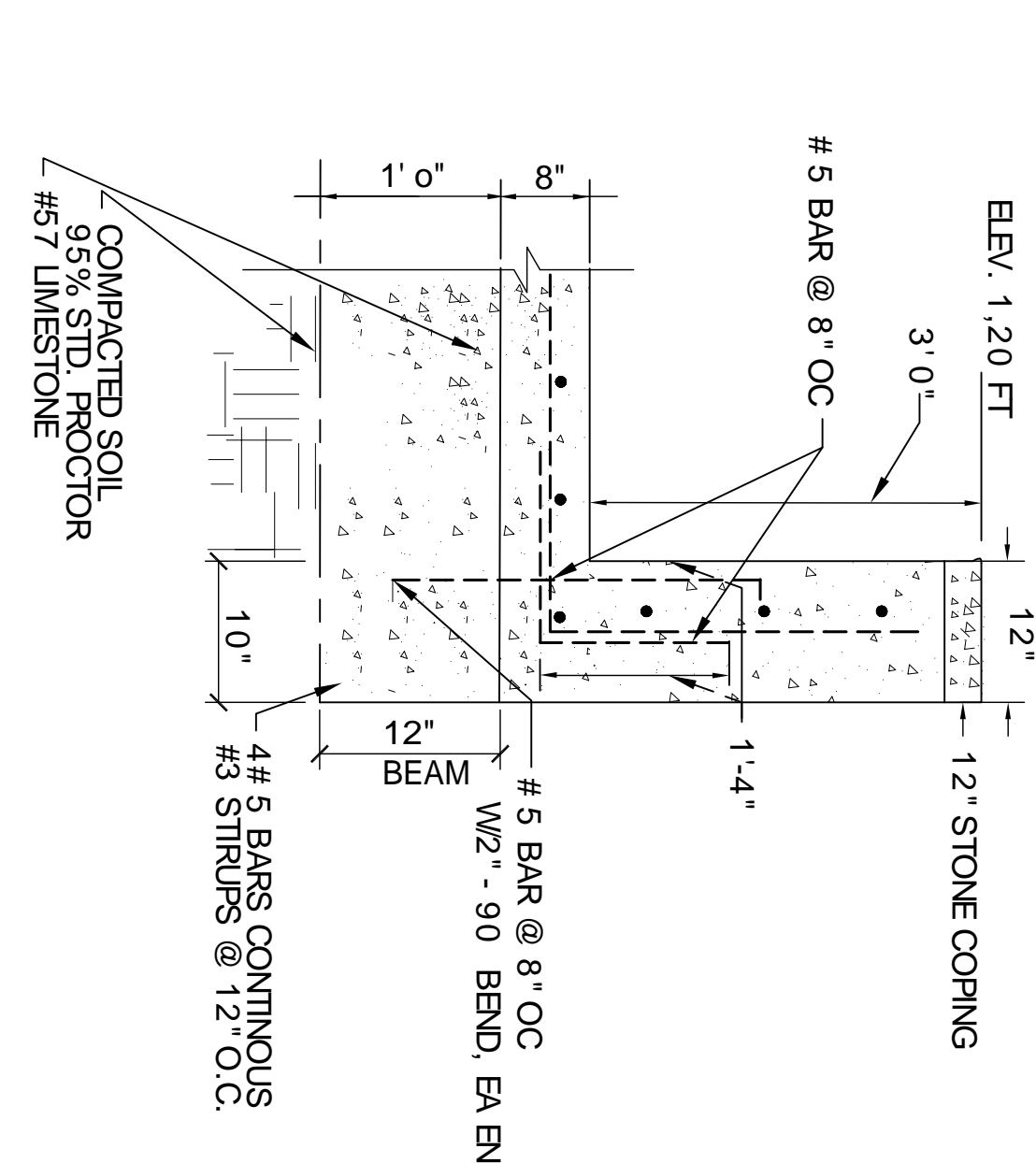
OF



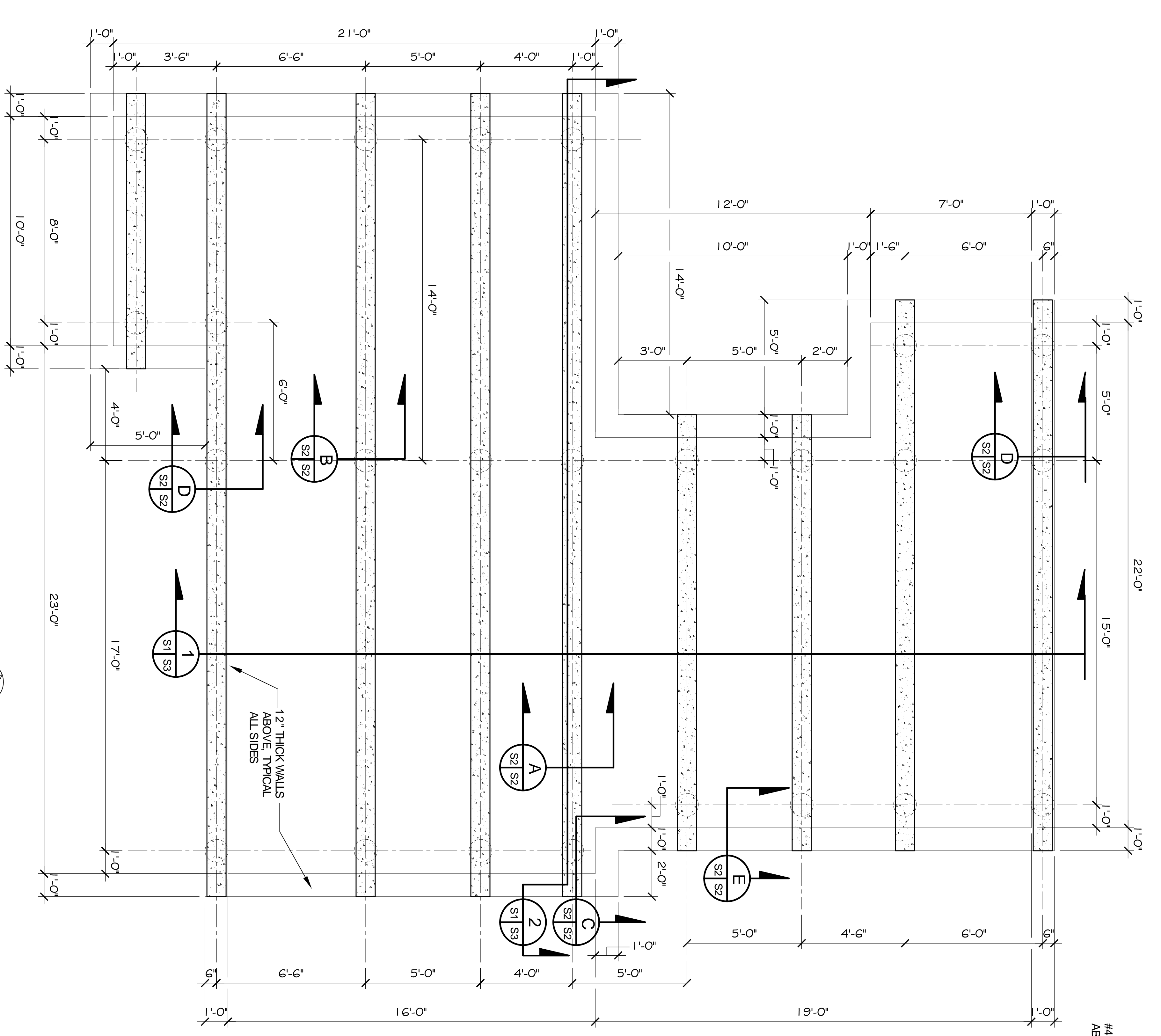
TYP. SECTION A
 N.T.S.



TYP. SECTION E
 N.T.S.



TYP. SECTION C
 N.T.S.



POOL BEAM PLAN
 SCALE: 3/8" = 1'

NOTES:

- TOP OF POOL COPING ELEVATION = 1.20'. COORDINATE ELEVATIONS WITH CIVIL DRAWINGS. DEPTHS SHOWN ARE FROM TOP OF COPING. DEPTH OF TOP OF BEAM AT WALLS = -3'-8". DEPTH TO TOP OF POOL FLOOR FROM COPING = -3'-0".

PILE NO.	PILE CUT OFF TO TOP OF POOL SLAB*	TO TOP OF BEAM*
1	4 FT 8 IN STEPS	3 FT 8 IN
2	4 FT 8 IN	3 FT 8 IN
3	4 FT 8 IN	3 FT 8 IN
4	4 FT 8 IN STEPS	3 FT 8 IN
5	4 FT 8 IN	3 FT 8 IN
6	4 FT 8 IN	3 FT 8 IN
7	4 FT 11 IN	3 FT 11 IN
8	4 FT 11 IN	3 FT 11 IN
9	5 FT 2 IN	4 FT 2 IN
10	4 FT 11 IN	3 FT 11 IN
11	5 FT 2 IN	4 FT 2 IN
12	5 FT 5 IN	4 FT 5 IN
13	5 FT 5 IN	4 FT 5 IN
14	5 FT 0 IN	4 FT 0 IN
15	5 FT 2 IN	4 FT 2 IN
16	5 FT 4 IN	4 FT 4 IN
17	4 FT 11 IN	3 FT 11 IN
18	4 FT 11 IN	3 FT 11 IN
19	5 FT 3 IN	4 FT 3 IN
20	4 FT 8 IN	3 FT 8 IN
21	4 FT 8 IN	3 FT 8 IN
22	4 FT 11 IN	3 FT 11 IN
23	5 FT 2 IN	4 FT 2 IN
24	5 FT 3 IN STEPS	4 FT 3 IN
25	5 FT 3 IN STEPS	4 FT 3 IN

* NOTE THAT POOL SLAB SITS ON BEAM. DESIGN OF PILES IS BY OTHERS. SEE LATEST CIVIL DRAWING FOR BEV. OF TOP OF COPING. TOP OF PILE CUT OFF BEV. ARE GIVEN AS FT. & IN. BELOW POOL COPING.