

CODE REQUIREMENTS

CODE REQUIREMENTS

- ALL CONSTRUCTION RELATED TO THE POOL AND SURROUNDING POOL AREA SHALL BE IN FULL ACCORDANCE WITH THE LAC TITLE 51 XXIV CODE, AND ALL OTHER APPLICABLE CODES, AND STANDARDS.
- THIS POOL IS AN EXISTING OUTDOOR POOL WHICH IS BEING REFURBISHED. THE POOL EQUIPMENT WILL BE OUTDOORS WITH A FENCED IN AREA.

NOTE: GOING FORWARD WITHIN THIS DOCUMENT; ALL SUBSECTIONS REFERENCED FROM THE LAC TITLE XXIV CODE SHALL EXCLUDE "LAC TITLE 51 XXIV CODE" AND LIST ONLY THE SPECIFIC SUBSECTION BEING REFERENCED. IT IS UNDERSTOOD THAT ALL SUBSECTIONS BEING REFERENCED WITHIN THIS DOCUMENT ARE UNDER LAC TITLE 51 XXIV CODE.

DESIGN REQUIREMENTS

- PER 301.B - ALL INTERIOR SURFACES OF THE POOL SHALL RECEIVE A LIGHT COLORED PLASTER ON ALL SURFACES NOT TILED. PLASTER TO BE WHITE.
- PER 305.A - ALL POOL WALLS SHALL BE VERTICAL AND PLUMB.
- PER 311.A - THE MINIMUM WATER DEPTH AT THE FOOT OF THE STEPS IS 3'-6".
- PER 311.C - THIS POOL SHALL BE PROVIDED WITH A 4" CONTRASTING BAND AND ROPE WITH FLOATS INDICATING THE DEEP END FROM THE SHALLOW END PER CODE. DEEPEST WATER DEPTH ON THIS POOL IS 5'-0".
- PER 311.E - DUE TO THE ESTABLISHED WATER DEPTHS, THERE WILL BE NO DIVING ALLOWED IN THIS POOL. ALL WATER DEPTH TILE MARKER LOCATIONS SHALL ALSO INCLUDE A 6"x6" INTERNATIONAL NO DIVING SYMBOL.
- PER 315.A - THE POOL TURNOVER RATE SHALL BE SIZED AT 3.77 HOURS.
- PER 323.B - POOL DECK SHALL BE CONSTRUCTED OF CONCRETE WITH SLIP RESISTANT POOL DECK FINISH.
- PER 323.F.3 - THE MINIMUM CONTINUOUS UNOBSTRUCTED DECK WIDTH SHALL BE 4 FEET.
- PER 323.G - THE POOL DECK SHALL BE 1/2" PER 1 FOOT. (SEE PLAN SHEET PL-1.0 FOR SLOPE DIRECTION). NOTE THAT WATER SHALL SHED OFF OF THE POOL DECK, AND INTO EXISTING LANDSCAPED PLANS WHICH EXHIBIT DRAINAGE TO CATCH STORM WATER.
- PER 323.J - CONTROL JOINTS AROUND THE COPING AND THROUGHOUT THE DECK SHALL BE CONSTRUCTED TO A MINIMUM WIDTH OF 1/8", AND SHALL BE WATER TIGHT IN FULL COMPLIANCE WITH THE LAC.51 CODE".
- PER 323.O - POOL DECK SHALL BE SLOPED AS INDICATED ON SHEET PL-1.0.
- PER 323.P - SITE DRAINAGE SHALL BE INSTALLED TO EFFECTIVELY SHED WATER FROM POOL DECK AND POOL, AND PREVENT FLOODING OR EROSION OF LANDSCAPING ONTO POOL DECK OR POOL.
- PER 323.Q - ALL POOL CIRCULATION SYSTEM PIPING SHALL BE TESTED WITH AN INDUCED STATIC HYDRAULIC PRESSURE TEST AT 25 PSI FOR 30 MINUTES, AND SHALL BE PERFORMED BEFORE ANY OF THE PIPING IS COVERED UP. PIPING WILL REMAIN UNDER PRESSURE THROUGHOUT THE ENTIRE DURATION OF THE CONSTRUCTION PROCESS AS MUCH AS FEASIBLY POSSIBLE.
- PER 323.S - A HOSE BIB WITH A VACUUM BREAKER SHALL BE PROVIDED FOR WASHING DOWN THE ENTIRE POOL DECK AREA.
- PER 325 - TWO MEANS OF EXIT/EGRESS IS PROVIDED ON THIS POOL BY MEANS OF STAIRS WITH A HANDRAIL IN THE SHALLOW END, AND A LADDER IN THE DEEP END. EACH ENTRY DOES NOT EXCEED 75 LINEAR FEET MAXIMUM SPACING.
- PER 327 - ALL STAIR TREADS ARE 18", ALL RISERS ARE UNIFORMLY 9", WITH THE BOTTOM RISER VARYING NO MORE THAN PLUS OR MINUS 2", ONE HANDRAIL SHALL BE PROVIDED, AND SHALL BE NO MORE THAN 18 INCHES HORIZONTAL DISTANCE FROM THE FACE OF BOTTOM RISER. THE OUTSIDE DIAMETER OF THE HANDRAIL IS 1.90" O.D..
- PER 329 - THIS POOL SHALL HAVE ONE LADDER BEING IN FULL COMPLIANCE WITH CODE.

CIRCULATION SYSTEMS

- PER 501 - ALL POOL EQUIPMENT IS SIZED TO MEET OR EXCEED 3.77 HOUR TURNOVER, AND ALL POOL EQUIPMENT SHALL MEET NSF 50 PER.
- PER 503.A - WATER VELOCITY FOR DISCHARGING PIPE SHALL NOT EXCEED 10 FPS, AND THE VELOCITY FOR THE SUCTION PIPING SHALL NOT EXCEED 6 FPS. (SEE ATTACHED VELOCITY CHART AS SHOWN ON PLAN SHEET G-1.0 AND PL-1.1)
- PER 503.C.1 - THIS POOL SHALL BE PROVIDED WITH A FLOW METER SHOWING FLOW RATE THROUGH THE FILTER SYSTEM IN GALLONS PER MINUTE.
- PER 505 - PROPERLY SIZED SAND FILTER SHALL BE PROVIDED WITH A SIGHT GLASS TO DETERMINE WATER CLARITY.
- PER 507 - A RECIRCULATION PUMP SHALL BE PROVIDED WHICH MEETS OR EXCEEDS THE MAXIMUM FLOW RATE FOR THE POOL RECIRCULATION SYSTEM.
- PER 509 - THIS POOL SHALL HAVE A TOTAL OF 10 RETURN INLETS (8 DIRECTIONAL EYEBALL INLETS, AND 2 ADJUSTABLE FLOOR RETURN INLET AT THE TOP LANDINGS OF THE STEPS AS SHOWN PER PLANS. TWO MAIN DRAINS ARE TO BE LOCATED AS SHOWN ON PLANS, AND EACH DRAIN AND ASSOCIATED PIPING SHALL ACCOMMODATE THE MAXIMUM FLOW RATE FOR THIS POOL. ALL RETURN INLETS PROVIDED MEET THE MINIMUM OF TWO INLETS PER 600 SQUARE FEET OF WATER SURFACE AREA.
- PER 511 - ALL WALL RETURN INLETS AND FLOOR RETURN INLET SHALL BE ADJUSTABLE. THE WALL RETURN INLETS SHALL BE LOCATED BETWEEN 10 INCHES AND 15 INCHES BELOW POOL OVERFLOW LEVEL.
- PER 513 - ALL SUCTION OUTLETS SHALL HAVE ANTI-VORTEX COVERS (THIS INCLUDES THE MAIN DRAINS, AND ALL SUCTION COVERS FOR THE EQUALIZER LINES ON EACH SKIMMER. THE 8" MAIN DRAINS ARE SPACED AT 5'-0" CENTER TO CENTER.
- PER 515 - A SURFACE SKIMMER SHALL BE PROVIDED FOR EVERY 500 SQ. FT. OF WATER SURFACE AREA. 2 EA SURFACE SKIMMERS ARE PROVIDED.

GENERAL STANDARDS

- PER 701 - ALL DEPTH MARKER REQUIREMENTS FOR THIS CODE SECTION ARE IDENTIFIED ON PLAN SHEET PL-1.3, DETAIL 03, AND SHOWN ON PLANS PL-1.0 AND PL-1.1.
- PER 703 - THIS CLASS C POOL SHALL UTILIZE THE EXISTING 12FT. LONG STRONG POLE WITH SHEPARD'S HOOK (LIFESAIVING HOOK), 60 FT. THROWING ROPE AND RING BUOY, AND TELEPHONE WITH POSTED EMERGENCY NAMES AND NUMBERS.
- PER 707.A - ALL FRESH WATER SUPPLY LINES, AND BACKWASH LINES SHALL BE SEPARATED BY A 6" MINIMUM AIR GAP, PREVENTING A PHYSICAL CONNECTION OF THE FRESH WATER SUPPLY LINE, OR THE BACKWASH LINE TO THE POOL WATER BODY.
- PER 711 - BACKWASH WATER SHALL BE DISCHARGED INTO A SANITARY SEWER LINE THROUGH A 6" MINIMUM AIR GAP.
- PER 713.A - POOL CONTRACTOR SHALL COMPLY WITH THE REQUIREMENTS OF THE LATEST NATIONAL ELECTRICAL CODE.
- PER 715.A - THIS POOL WILL NOT BE OPEN FOR USE DURING NON-DAYLIGHT HOURS, AND THEREFORE REQUIRES NO UNDERWATER POOL LIGHTING. DECK AREA LIGHTING SHALL BE

PROVIDED WITH A MINIMUM OF 10 FT CANDLES ILLUMINATION AROUND THE POOL.

- PER 717 - THE POOL EQUIPMENT SHALL BE PLACED ON A NEW OUTDOOR PAD, WITHOUT AN ENCLOSURE, NOT REQUIRING VENTILATION.
- PER 733.A - EXISTING POLE HOOKS, ROPES, BUOYS, FIRST AID KIT, AND OTHER LIFESAIVING EQUIPMENT ARE TO BE PROVIDED IN COMPLIANCE WITH CODE.

DISINFECTION & BACTERIOLOGICAL QUALITY

- PER 901.A - ALL DISINFECTANT EQUIPMENT SHALL COMPLY WITH NSF STANDARD 50.
- PER 901.A.2 - THE CHLORINATOR PROVIDING DISINFECTANT TO THE POOL WATER IS TO BE ADJUSTED PENDING FIELD TESTING MEASURES THAT ARE SIMPLE AND ACCURATE.
- PER 901.C - THE POOL SHALL BE SUPPLIED WITH A CHEMICAL TEST KIT WHICH TESTS ALLOWS FOR TESTING OF ALL LEVELS MENTIONED IN NOTE 66 WITHIN THIS DOCUMENT VIA THE DPD METHOD OF DETECTING CHLORINE RESIDUAL. (TAYLOR TEST KIT K-2006 OR BETTER WILL BE PROVIDED).
- THE TESTING RESULTS FOR RESIDUALS SHALL MEET THE FOLLOWING.....
 - TESTING FOR DETERMINATION OF pH, CHLORINE (TOTAL AND FREE), TOTAL ALKALINITY, AND CALCIUM HARDNESS.
 - DISINFECTANT LEVELS AND pH SHALL BE MEASURED TWICE PER DAY, AND HOURLY WHEN POOL IS IN HEAVY USE.
 - TOTAL ALKALINITY TO BE MEASURED WEEKLY
 - CALCIUM HARDNESS TO BE MEASURED MONTHLY.

LEVEL REQUIREMENTS ARE....

CHLORINE	1.0 ppm MINIMUM
FAC	3.0 ppm MAXIMUM 10 MG/L MAXIMUM
TOTAL ALKALINITY	60 - 180 ppm (MG/L)
CALCIUM HARDNESS	1000 ppm (MG/L) MAXIMUM

GENERAL CONSTRUCTION NOTES

- FOR ALL FINISHES ON THE POOL AND POOL DECK, REFERENCE THE HARDSCAPE PLANS.
- ALL POOL DECK DEPTH MARKERS (BOTH DECK MOUNTED AND WALL MOUNTED) ARE IDENTIFIED IN THE POOL PLAN VIEWS AND SECTIONS, AND SPECIFICALLY ON SHEET PL-1.2, DETAIL 03.
- ALL 2"x2" DARK CONTRASTING EDGE TILE WITHIN THE POOL IS IDENTIFIED THROUGHOUT ALL POOL PLAN VIEWS AND SECTION VIEWS. COLORS ARE IDENTIFIED IN THE HARDSCAPE PLANS.
- DIMENSIONAL LAYOUT PLAN FOR POOL ON SHEET PL-1.0 IDENTIFIES THE LOCATIONS OF ALL SKIMMERS, INLETS, DRAINS, DEPTH CHANGES, DEPTH MARKERS, HAND RAIL, LADDER, AND ADA LIFT MOUNTING LOCATION.
- ALL SKIMMERS ARE TO HAVE EQUALIZER LINES WITH SUCTION COVERS.

POOL CALCULATIONS

POOL VOLUME CALCULATIONS

3,204 CU FT x 7.48 GALLONS = 23,966 GALLONS

POOL COPING (OUTER PERIMETER) = 141 LN. FT.

POOL COPING (INNER PERIMETER) = 133 LN. FT.

WATER SURFACE AREA = 870 SQ. FT.

TURNOVER CALCULATIONS = 23,966 GAL / 60 MIN = 399.40 GPM

3.77 HR TURNOVER = 106 GPM

34 BATHERS MAX LOAD CAPACITY

TR140 FILTER TURNOVER CAPACITY AT 8,460 GPH = 141 GPM

3 HP WHISPERFLO XF PUMP (MODEL XF-12)

HEAD LOSS CALCULATIONS

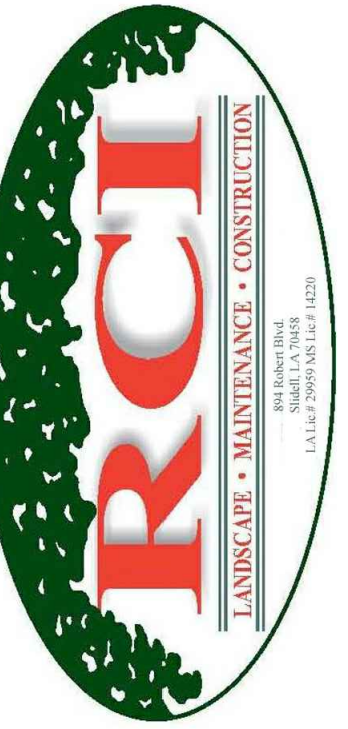
RETURN HEAD LOSS

QTY	UNIT	LISTING DESCRIPTION
3.0	FT	3" FLOW METER
4.06	FT	ADJUSTABLE FLOOR INLET (2 EACH AT 2.03 FT)
4.72	FT	3/2" DIRECTIONAL EYEBALL FITTING (8 EACH AT .59 FT)
9.0	FT.	TR140 SAND FILTER
12.0	FT.	2" HI-FLO VALVE
5.20	FT.	1.5" PIPE (137 LN. FT.)
1.40	FT.	3.0" PIPE (44 LN. FT.)
0.47	FT.	2.5" PIPE (20 LN. FT.)
0.17	FT.	2.5" TEE FITTING (2 EACH)
1.69	FT.	2" 90 DEGREE ELBOW FITTING (4 EACH)
.70	FT.	1.5" TEE FITTING (2 EACH)
0.66	FT.	1.5" 90 DEGREE ELBOW FITTING (13 EACH)
2.88	FT.	2.5" 90 DEGREE ELBOW FITTING (6 EACH)
0.28	FT.	3" TEE (3 EACH)
1.89	FT.	3" BALL VALVE (1 EACH)
2.88	FT.	3" BALL CHECK VALVE (1 EACH)
51.00	FT.	TOTAL

SUCTION HEADLOSS

QTY	UNIT	LISTING DESCRIPTION
1.66	FT.	2.5" BALL VALVE (2 EACH)
7.0	FT.	SKIMMER (2 EACH)
4.0	FT.	MAIN DRAIN INLETS (2 EACH)
6.83	FT.	2.0" PIPE (122 LN. FT.)
1.60	FT.	3" PIPE (50 LN. FT.)
2.11	FT.	2" 90 DEGREE ELBOW FITTING (5 EACH)
1.63	FT.	2.5" TEE FITTING (2 EACH)
0.28	FT.	3" TEE (3 EACH)
25.11	FT.	TOTAL

TOTAL HEAD LOSS = 76.11 FT



894 ROBERT BOULEVARD
SLIDELL, LOUISIANA 70458
PH: 985-643-2427
FAX 985-643-2691
RROTOLO@ROTOLOCONSULTANTS.COM

POOL DESIGN DATA	
WATER VOLUME =	23,966 GALLONS
TURNOVER RATE =	3.77 HOURS
FLOW RATE =	106 GPM
WATER SURFACE AREA =	870 SQ. FT.
POOL PERIMETER =	141 LN. FT.
TOTAL HEAD LOSS =	76.11 FT.
MAXIMUM BATHER LOAD =	34 PERSONS

PIPE SCHEDULE					
PIPE ID	DESCRIPTION	SIZE	TYPE	FLOW RATE	VELOCITY
A	MAIN DRAIN SUCTION	3.0 INCH	SCH 40 PVC	106 GPM	4.81 FPS
B	SKIMMER SUCTION	2.5 INCH	SCH 40 PVC	53 GPM	3.46 FPS
C	RETURN LINE ¹⁰ INLETS	3.0 INCH	SCH 40 PVC	106 GPM	4.81 FPS
D	RETURN LINE ⁵ INLETS	2.0 INCH	SCH 40 PVC	53 GPM	5.41 FPS
E	RETURN LINE ⁴ INLETS	2.0 INCH	SCH 40 PVC	42.4 GPM	4.33 FPS
F	RETURN LINE ³ INLETS	1.5 INCH	SCH 40 PVC	31.8 GPM	5.77 FPS
G	RETURN LINE ² INLETS	1.5 INCH	SCH 40 PVC	21.2 GPM	3.85 FPS
H	RETURN LINE ¹ INLET	1.5 INCH	SCH 40 PVC	10.6 GPM	1.92 FPS
J	FILL LINE	2.0 INCH	SCH 40 PVC	N/A	N/A

APARTMENT HOMES BY TONTI
EDENBOURNE COURTS & GARDENS - WEST POOL
3312 EDENBOURNE AVE
METAIRIE, LOUISIANA 70002

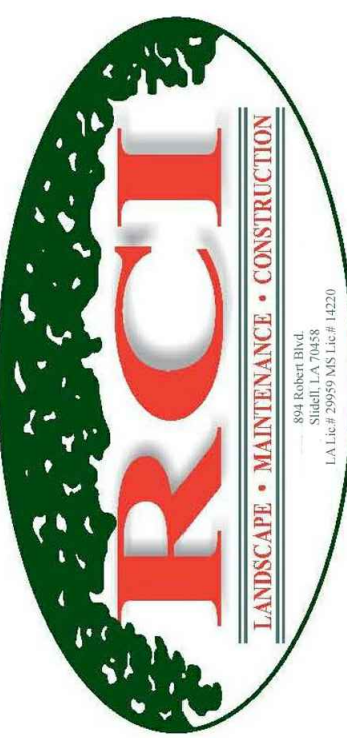
Copyright 2016 Rotolo Consultants Inc.
These drawings or parts thereof, may not be reproduced in any form, by any method, for any purpose, without prior written consent from Rotolo Consultants Inc.
Contact: Rod Rotolo 985-643-2427
Project No:

Revisions:	
Date:	Description:
8-18-2016	BOH cmts addressed

Date: 6/21/2016
Drawn: TJH
Checked:
Sheet Title:

SPECIFICATIONS, NOTES, & CALCULATIONS

Drawing No.
G-1.0
Sheet No.
1 of: 8



Revisions:		
No.	Date	Description
01	8-18-2016	BOH cmts addressed

Date: 6/21/2016
Drawn: TJH

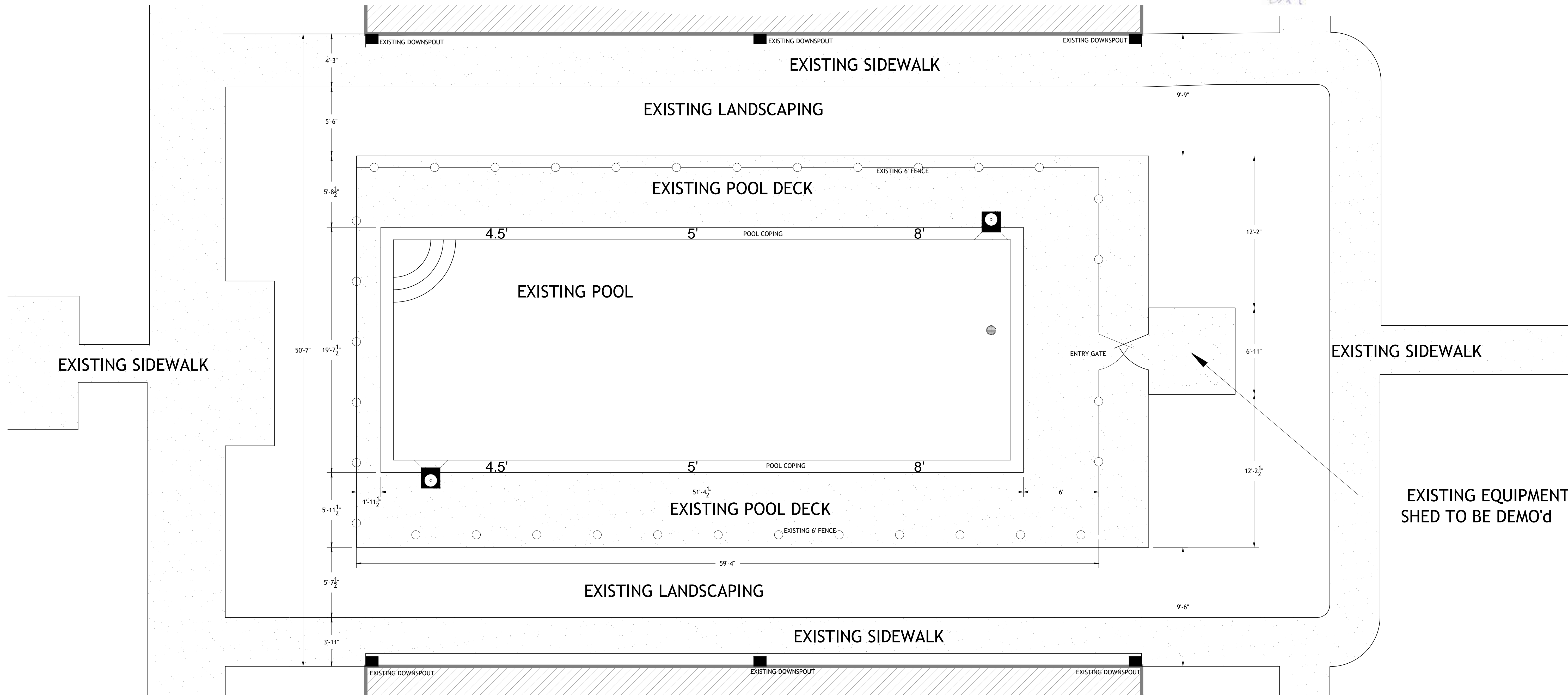
Checked:

Sheet Title:
EXISTING POOL & DECK PLAN

Drawing No.

CI-1.0

Sheet No.
2 of 8

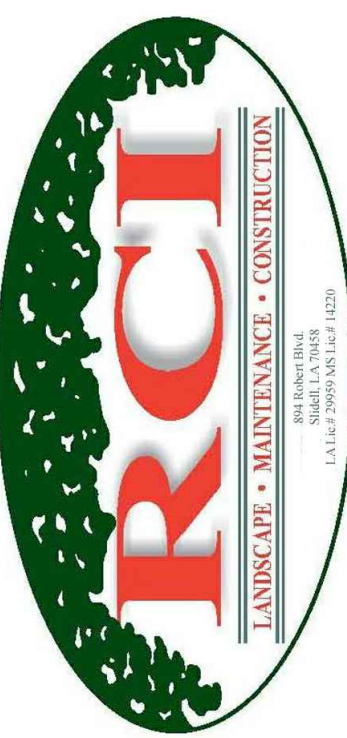


01 EXISTING POOL & DECK CONDITIONS
SCALE: 1/4" = 1'-0"

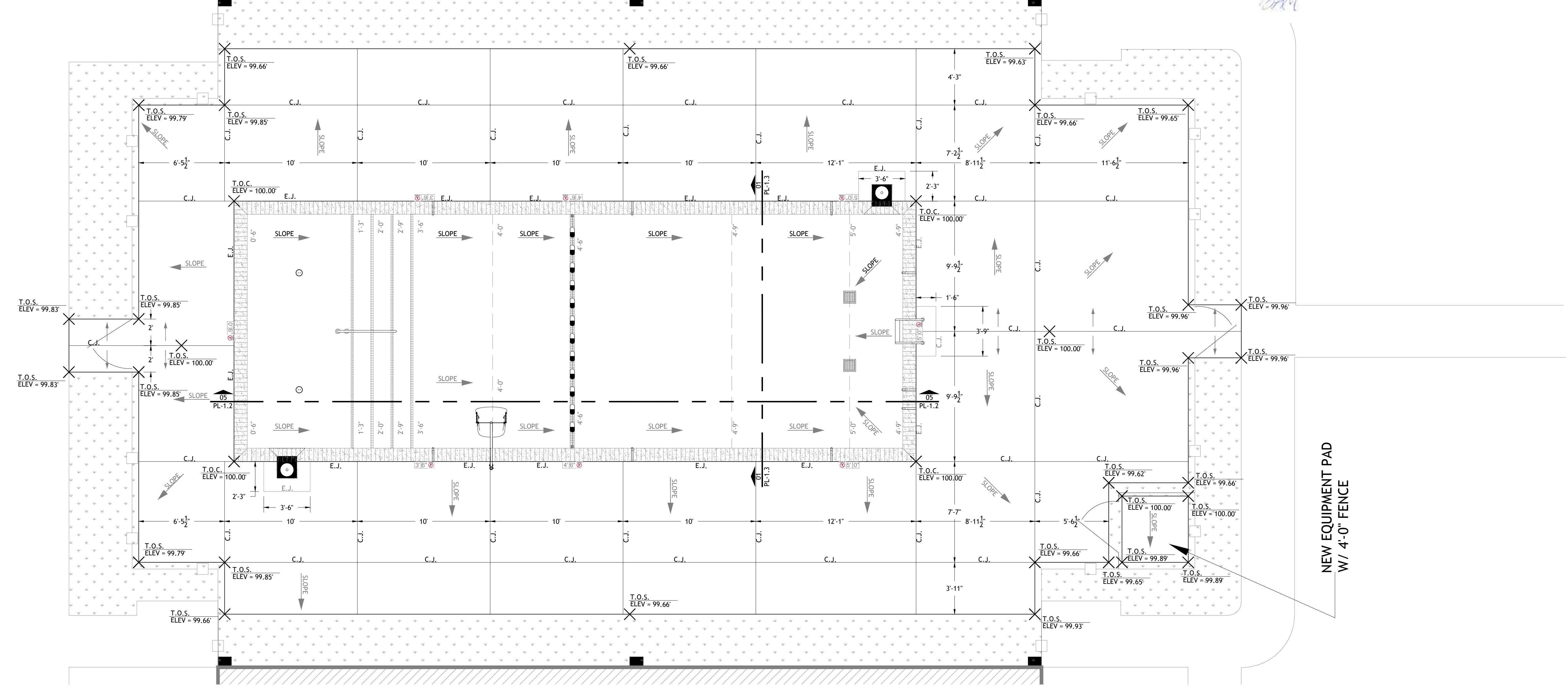
SYMBOL IDENTIFICATION LEGEND

- EXISTING SKIMMER
- EXISTING DOWNSPOUT
- EXISTING MAIN DRAIN
- 4.5' EXISTING WATER DEPTH
- EXISTING POOL FENCE

- NOTES**
- ALL EXISTING POOL PIPING TO BE REMOVED AND REPLACED.
 - ORIGINAL POOL SHELL TO REMAIN, AND EXISTING SKIMMERS TO BE REMOVED. HOLES TO BE PUNCHED OR DRILLED AT 4' ON CENTER THROUGHOUT ENTIRE BOTTOM OF POOL.
 - POOL DECK AREA WITHIN THE EXISTING POOL FENCE LINE IS TO BE DEMOLISHED AND REMOVED ENTIRELY. IN ORDER TO RECONSTRUCT NEW POOL AND POOL DECK IN ACCORDANCE WITH THIS POOL PLAN SET.
 - EXISTING POOL FENCE WILL BE DEMOLISHED AND REMOVED ENTIRELY.
 - ONCE FENCE IS REMOVED, SAFETY BARRIERS SHALL IMMEDIATELY BE PLACED TO RESTRICT ACCESS TO THE AREA UNDER CONSTRUCTION / DEMOLITION UNTIL FENCE IS REINSTALLED IN NEW LOCATION PER THIS PLAN SET, AND CONSTRUCTION IS COMPLETED.
 - EXISTING EQUIPMENT SLAB IS TO BE DEMOLISHED, INCLUDING THE SHED STRUCTURE WHICH HOUSES THE POOL EQUIPMENT.
 - THE EXISTING POOL DECK SHALL BE SAW CUT WHERE POOL DECK PAVING IS SHARED WITH SIDEWALK PAVING. ALL SAW CUTS TO BE DETERMINED IN THE FIELD.
 - A CONSTRUCTION JOINT SHALL THEN BE PLACED TO ALLOW FOR NEW POOL DECKING TO BE POURED IN PLACE.



894 ROBERT BOULEVARD
SLIDELL, LOUISIANA 70458
PH: 985-643-2427
FAX: 985-643-2691
PROTOTO@ROTOLOCONSULTANTS.COM



01 POOL AND POOL DECK LAYOUT & GRADING PLAN
SCALE: 1/4" = 1'-0"
PL-1.0

SYMBOL IDENTIFICATION LEGEND

- ADA POOL LIFT PER CODE
- EXISTING SKIMMER
- EXISTING DOWNSPOUT
- 9X9 MAIN DRAIN (VGB AND NSF COMPLIANT)
- 1.90" O.D. S.S. HANDRAIL PER CODE
- ADJUSTABLE FLOOR INLET
- EXISTING POOL FENCE
- DECK DEPTH MARKERS
- E.J. EXPANSION JOINT
- C.J. CONTROL JOINT
- INDICATES SLOPE DIRECTION
- T.O.C. TOP OF COPING
- T.O.S. TOP OF SLAB
- POOL LADDER

- ### NOTES
- ALL ARROWS SHOWN ON THIS PLAN VIEW INDICATE SLOPE DIRECTION.
 - ALL SLOPES WITHIN THE POOL SHALL NOT EXCEED 1:12 (MAXIMUM SLOPE FOR DEEP END SHALL BE 3:12), AND SHALL AT LEAST BE 1/8" PER FOOT MINIMUM.
 - ALL SLOPES ON THE POOL DECK SHALL BE A MINIMUM OF 1/8" PER FOOT, AND A MAXIMUM OF 1/2" PER FOOT.
 - A SHEPARD'S HOOK (LIFE SAVING HOOK) ALONG WITH ONE 1/2" MINIMUM FIXED POLE SHALL BE PLACED ON THE FENCE WITH HOOKS, ALLOWING FOR EASY ACCESS. THE POLE AND HOOK SHALL BE LOCATED AS CLOSE TO THE CENTER OF THE POOL AS POSSIBLE ON THE POOL FENCE.
 - ALL FINISHED GRADES SHOWN ON PLAN REPRESENT TOP OF FINISHED SURFACE.
 - DRAINAGE SHALL RUN OFF CONCRETE PAVED SURFACES AS INDICATED, AND INTO SURROUNDING LANDSCAPING.

APARTMENT HOMES BY TONTI
EDENBOURNE COURTS & GARDENS - WEST POOL
3312 EDENBOURNE AVE
METAIRIE, LOUISIANA 70002

Copyright 2016 Rotolo Consultants Inc.
These drawings or parts thereof, may not be reproduced in any form, by any method, for any purpose, without prior written consent from Rotolo Consultants Inc.
Contact: Rod Rotolo 985-643-2427
Project No:

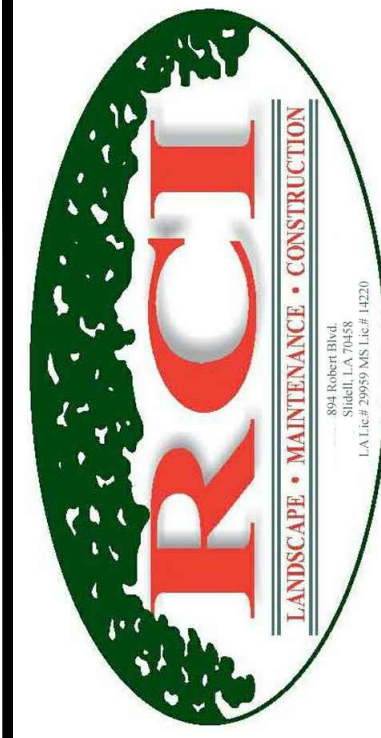
Revisions:		
No.	Date:	Description:
01	8-18-2016	BOH cmts addressed

Date: 6/21/2016
Drawn: TJH
Checked:
Sheet Title:

POOL DECK GRADING/ DECK JOINT LAYOUT PLAN

Drawing No.

CI-1.1
Sheet No. 3 of 8



894 ROBERT BOULEVARD
SLIDELL, LOUISIANA 70458
PH: 985-643-2427
FAX: 985-643-2691
ROTOLO@ROTOLOCONSULTANTS.COM

APARTMENT HOMES BY TONTI
EDENBOURNE COURTS & GARDENS - WEST POOL
3312 EDENBOURNE AVE
METAIRIE, LOUISIANA 70002

Copyright 2016 Rotolo Consultants Inc.
These drawings or parts thereof, may not be reproduced in any form, by any method, for any purpose, without prior written consent from Rotolo Consultants Inc.
Contact: Rod Rotolo 985-643-2427
Project No:

Revisions:		
No:	Date:	Description:
01	8-18-2016	BOH cmts addressed

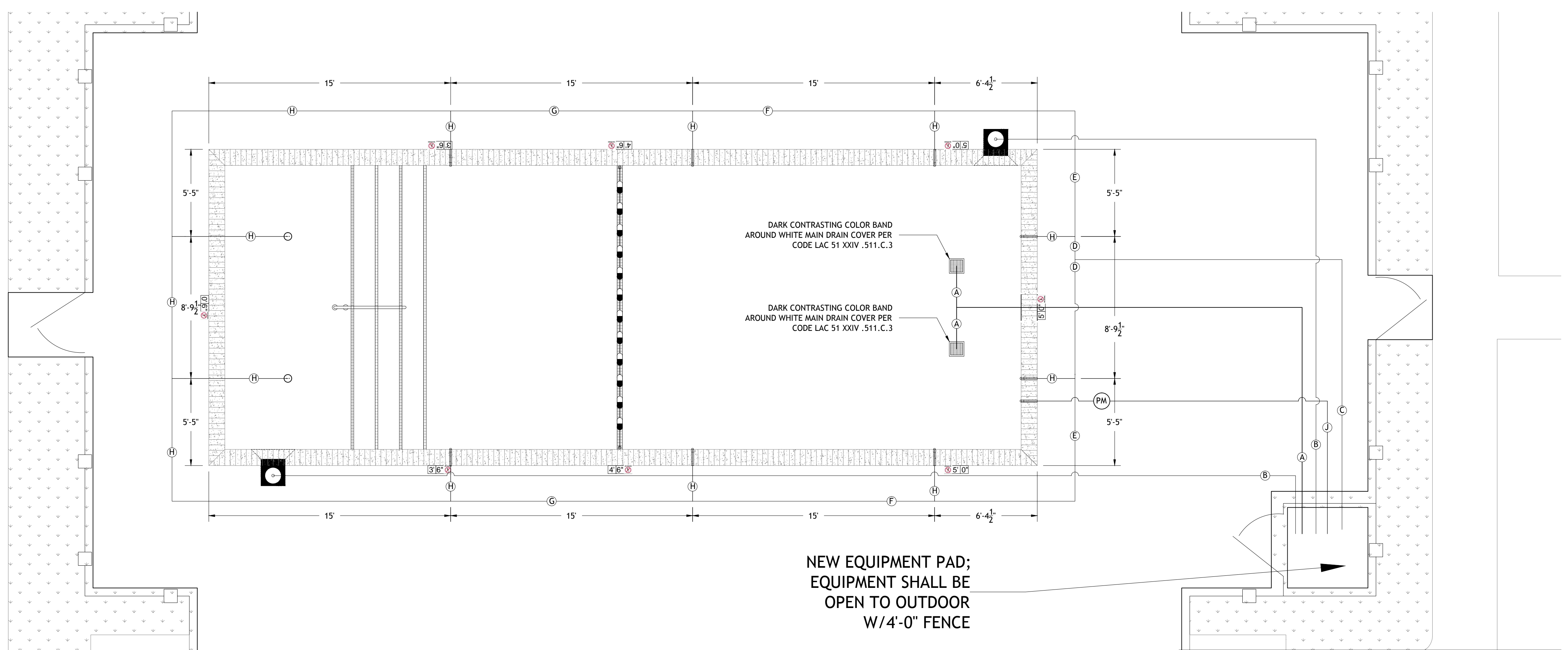
Date: 6/21/2016
Drawn: TJH
Checked:
Sheet Title:

POOL PLUMBING PLAN

Drawing No:

PL-1.1

Sheet No. 5 of 8



01 POOL PLUMBING LAYOUT PLAN
PL-1.1 SCALE: 1/4" = 1'-0"

PIPE SCHEDULE					
PIPE ID	DESCRIPTION	SIZE	TYPE	FLOW RATE	VELOCITY
A	MAIN DRAIN SUCTION	3.0 INCH	SCH 40 PVC	106 GPM	4.81 FPS
B	SKIMMER SUCTION	2.5 INCH	SCH 40 PVC	53 GPM	3.46 FPS
C	RETURN LINE 10 INLETS	3.0 INCH	SCH 40 PVC	106 GPM	4.81 FPS
D	RETURN LINE 5 INLETS	2.0 INCH	SCH 40 PVC	53 GPM	5.41 FPS
E	RETURN LINE 4 INLETS	2.0 INCH	SCH 40 PVC	42.4 GPM	4.33 FPS
F	RETURN LINE 3 INLETS	1.5 INCH	SCH 40 PVC	31.8 GPM	5.77 FPS
G	RETURN LINE 2 INLETS	1.5 INCH	SCH 40 PVC	21.2 GPM	3.85 FPS
H	RETURN LINE 1 INLET	1.5 INCH	SCH 40 PVC	10.6 GPM	1.92 FPS
J	FILL LINE	2.0 INCH	SCH 40 PVC	N/A	N/A

POOL DESIGN DATA	
WATER VOLUME =	23,966 GALLONS
TURNOVER RATE =	3.77 HOURS
FLOW RATE =	106 GPM
WATER SURFACE AREA =	870 SQ. FT.
POOL PERIMETER =	141 LN. FT.
TOTAL HEAD LOSS =	76.11 FT.
MAXIMUM BATHER LOAD =	34 PERSONS

SYMBOL IDENTIFICATION LEGEND

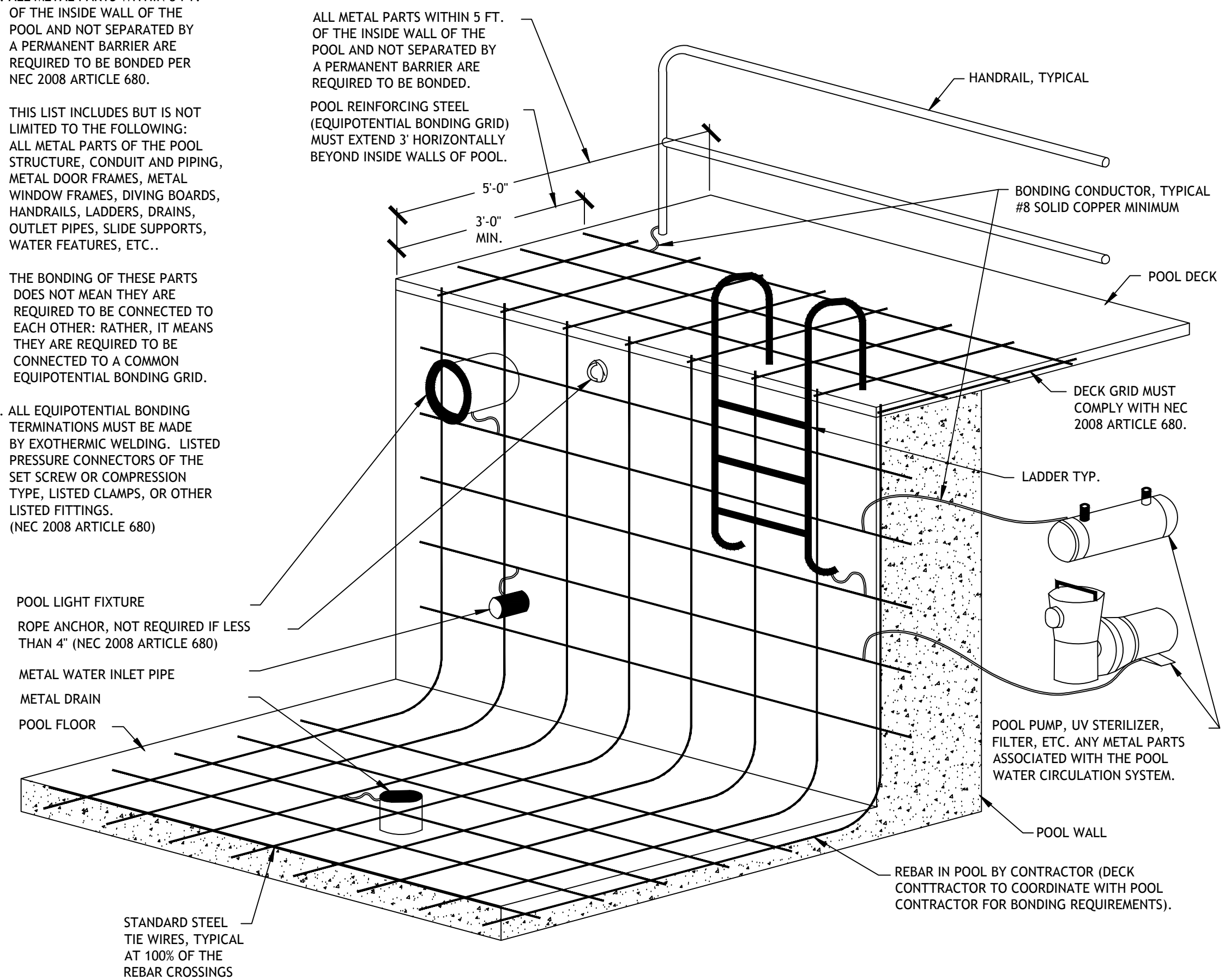
- ADA POOL LIFT PER CODE
- EXISTING SKIMMER
- EXISTING DOWNSPOUT
- WATER DEPTH
- 9X9 MAIND DRAIN (VGB AND NSF COMPLIANT)
- 1.90" O.D. S.S. HANDRAIL PER CODE
- ADJUSTABLE FLOOR INLET
- POOL INLET
- DECK DEPTH MARKERS
- POOL LADDER

- NOTES**
- ALL EXISTING POOL PIPING TO BE PRESSURE TESTED IN FULL ACCORDANCE WITH LAC TITLE 51 SWIMMING POOL CODE WHEN WHEN DETERMINING SUITABILITY TO BE USED, OR IF PLUMBING NEEDS TO BE REPLACED.
 - UPON INSTALLATION OF ALL PLUMBING, ALL PIPING SHALL BE PRESSURIZED IN ACCORDANCE WITH LAC TITLE 51 CODE REQUIREMENTS, AND REMAIN SO FOR THE DURATION OF THE CONSTRUCTION PROJECT.
 - ALL PLUMBING LINES ARE SHOWN ON PLAN FOR CLARITY, AND SHALL BE FIELD LOCATED AS NEEDED.

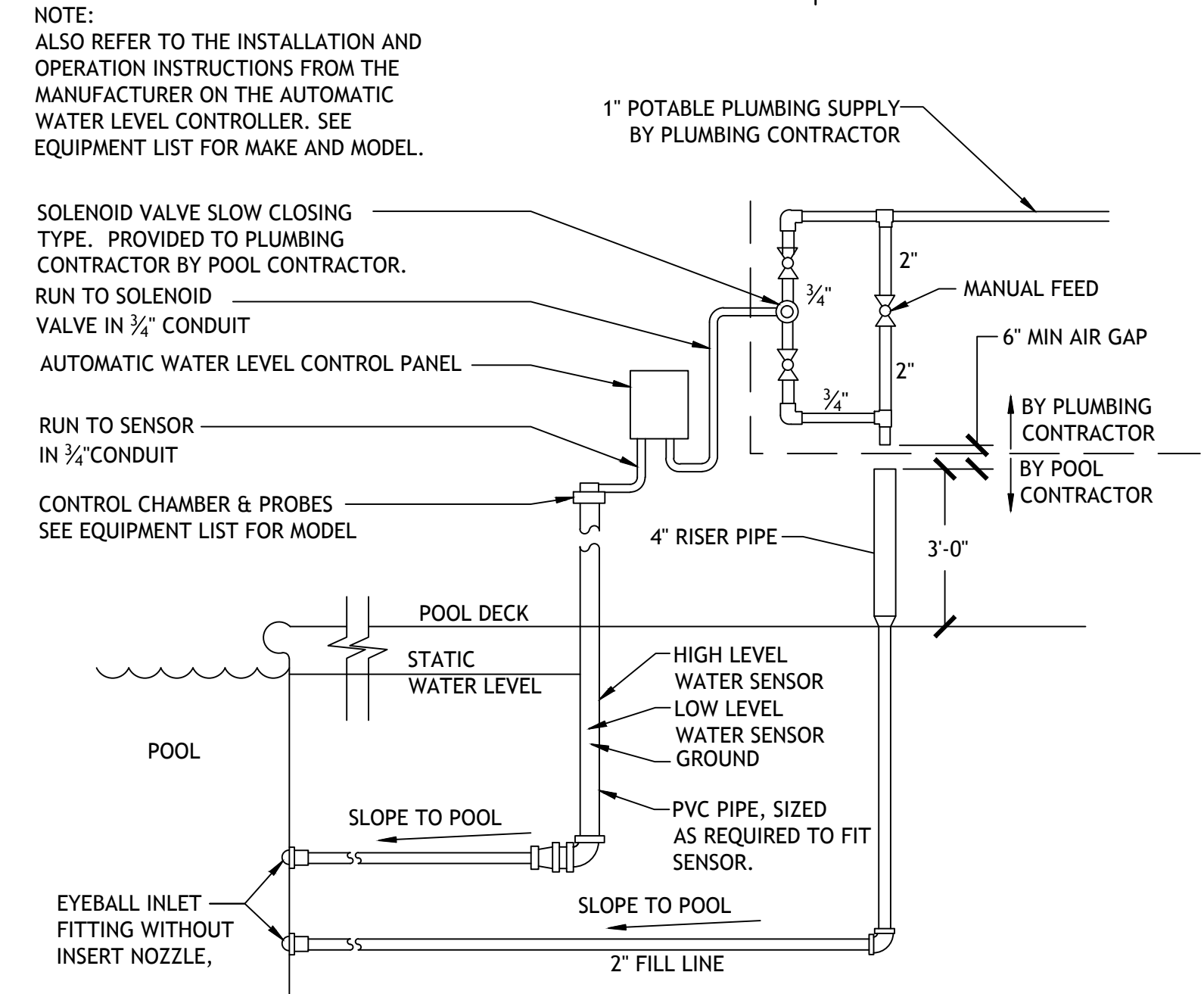
1. ANY AND ALL METAL PARTS ASSOCIATED WITH THE POOL WATER CIRCULATION SYSTEM (I.E. PUMPS) SHALL BE BONDED PER NEC 2008 ARTICLE 680.
2. ALL METAL PARTS WITHIN 5 FT. OF THE INSIDE WALL OF THE POOL AND NOT SEPARATED BY A PERMANENT BARRIER ARE REQUIRED TO BE BONDED PER NEC 2008 ARTICLE 680.

THIS LIST INCLUDES BUT IS NOT LIMITED TO THE FOLLOWING: ALL METAL PARTS OF THE POOL STRUCTURE, CONDUIT AND PIPING, METAL DOOR FRAMES, METAL WINDOW FRAMES, DIVING BOARDS, HANDRAILS, LADDERS, DRAINS, OUTLET PIPES, SLIDE SUPPORTS, WATER FEATURES, ETC..

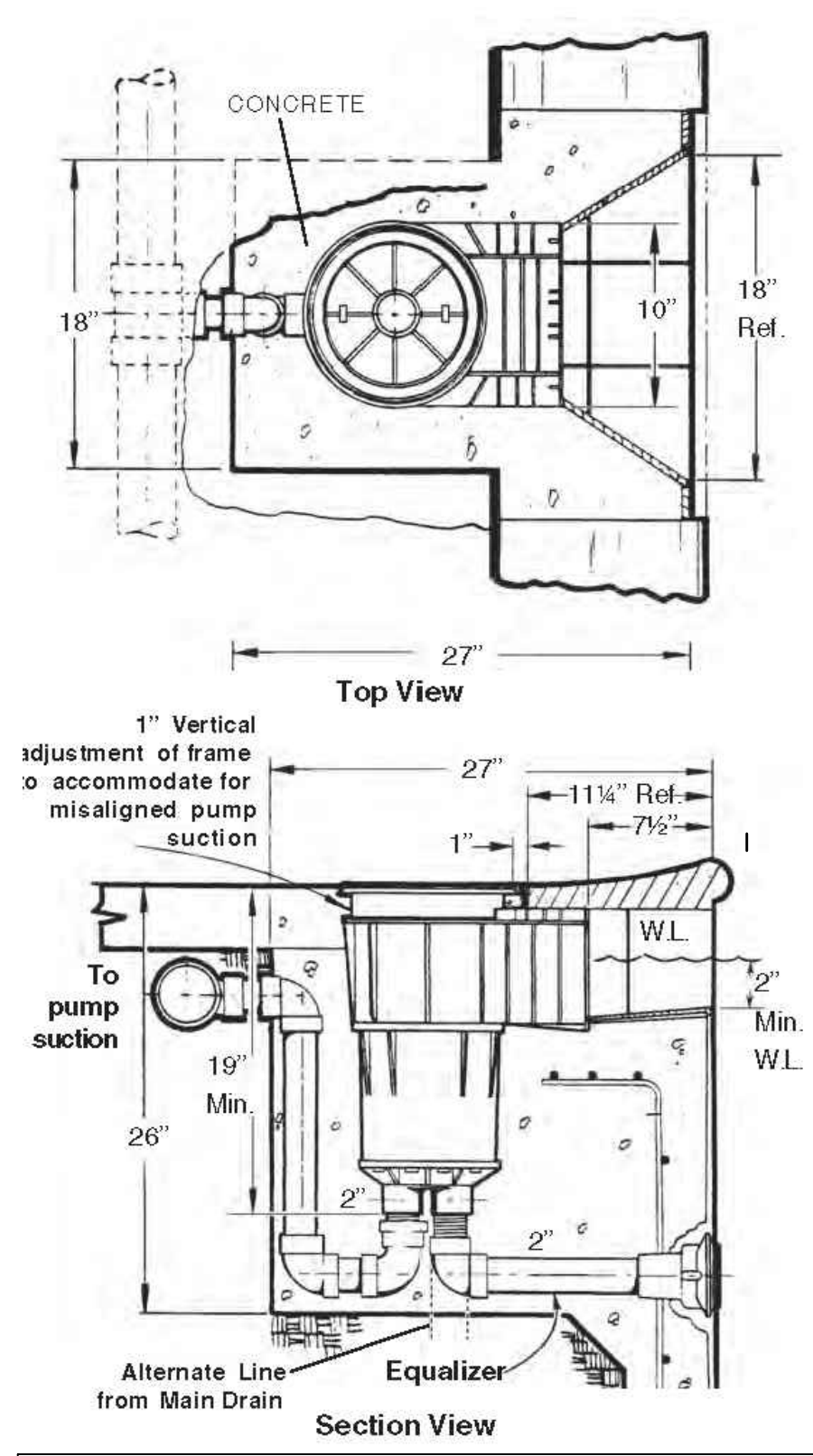
THE BONDED OF THESE PARTS DOES NOT MEAN THEY ARE REQUIRED TO BE CONNECTED TO EACH OTHER; RATHER, IT MEANS THEY ARE REQUIRED TO BE CONNECTED TO A COMMON EQUIPOTENTIAL BONDING GRID.
3. ALL EQUIPOTENTIAL BONDING TERMINATIONS MUST BE MADE BY EXOTHERMIC WELDING. LISTED PRESSURE CONNECTORS OF THE SET SCREW OR COMPRESSION TYPE, LISTED CLAMPS, OR OTHER LISTED FITTINGS. (NEC 2008 ARTICLE 680)



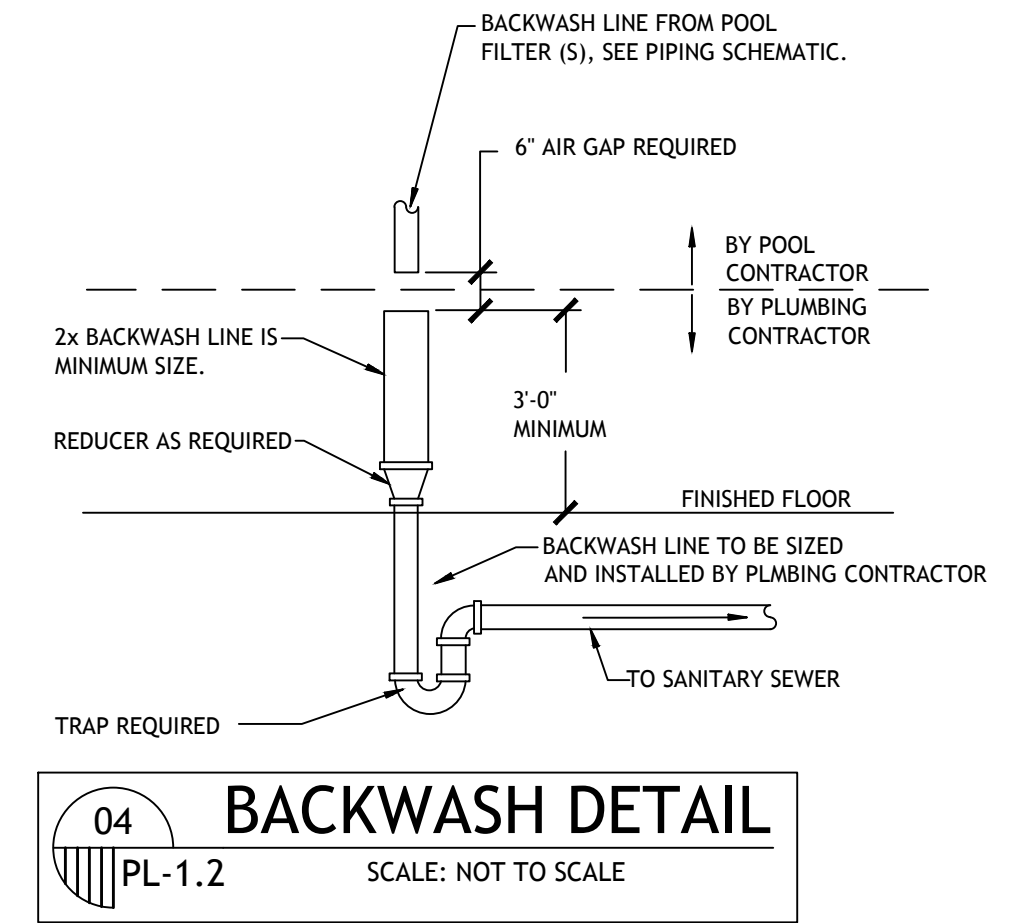
01 TYPICAL GROUNDING & BONDING DETAIL
PL-1.2 SCALE: NOT TO SCALE



02 AUTOFILL DETAIL
PL-1.2 SCALE: NOT TO SCALE

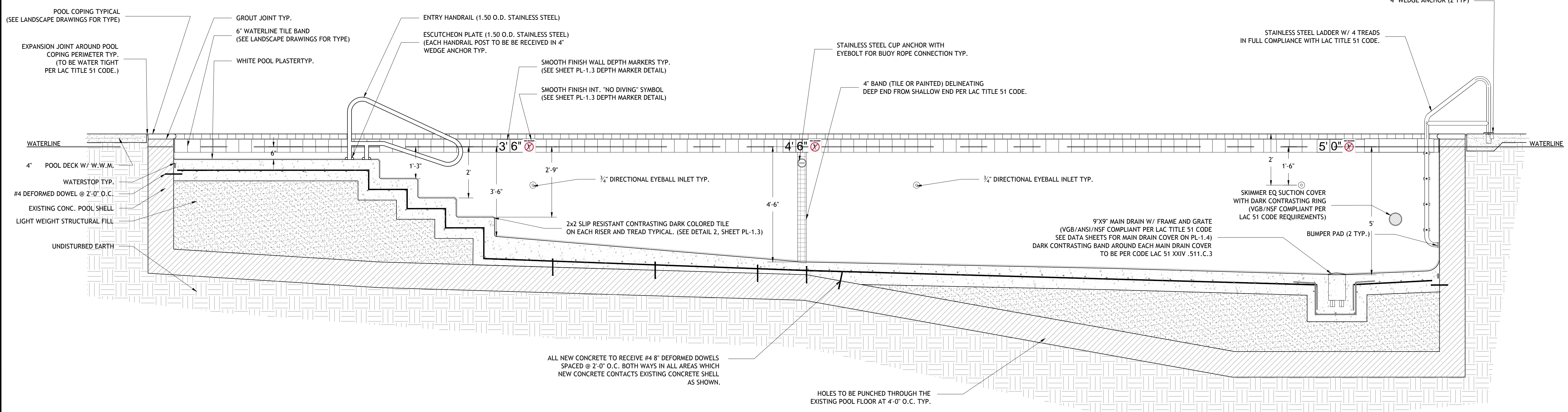


03 SKIMMER TYP. DETAILS
PL-1.2 SCALE: NOT TO SCALE



DAMMON ENGINEERING, INC.
Architects & Engineers
534 Old Spanish Trail, Slidell, LA 70458
PH: 985-643-2427
FAX: 985-643-2691
ROTULO@ROTOLOCONSULTANTS.COM

STATE OF LOUISIANA
BRIAN A. NESTICH
LICENSED PROFESSIONAL ENGINEER
No. 30187
8/23/2016



05 POOL CROSS SECTION
PL-1.2 SCALE: 1/2" = 1'-0"

ROTOLO
LANDSCAPE • MAINTENANCE • CONSTRUCTION
894 ROBERT BOULEVARD
SLIDELL, LOUISIANA 70458
PH: 985-643-2427
FAX: 985-643-2691
ROTULO@ROTOLOCONSULTANTS.COM

APARTMENT HOMES BY TONTI
EDENBOURNE COURTS & GARDENS - WEST POOL
3312 EDENBOURNE AVE
METAIRIE, LOUISIANA 70002

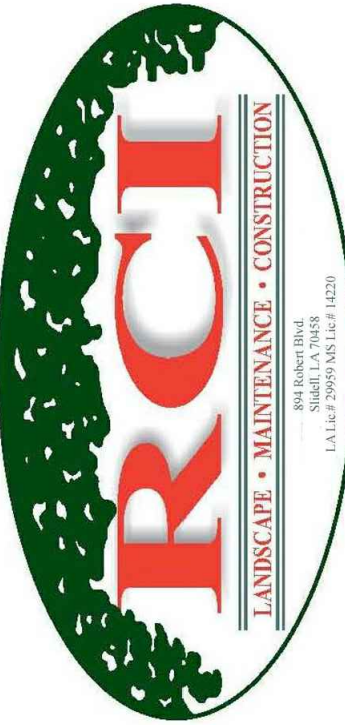
Copyright 2016 Rotolo Consultants Inc.
These drawings or parts thereof, may not be reproduced in any form, by any method, for any purpose, without prior written consent from Rotolo Consultants Inc.
Contact: Rod Rotolo 985.643.2427
Project No:

No.	Date	Description
01	8-18-2016	BdH cmts addressed

Date: 6/21/2016
Drawn: TJH
Checked:
Sheet Title:

POOL SECTIONS & TYPICAL DETAILS

Drawing No.
PL-1.2
Sheet No.
6 of 8



No.	Date	Description
01	8-18-2016	BOH cmts addressed

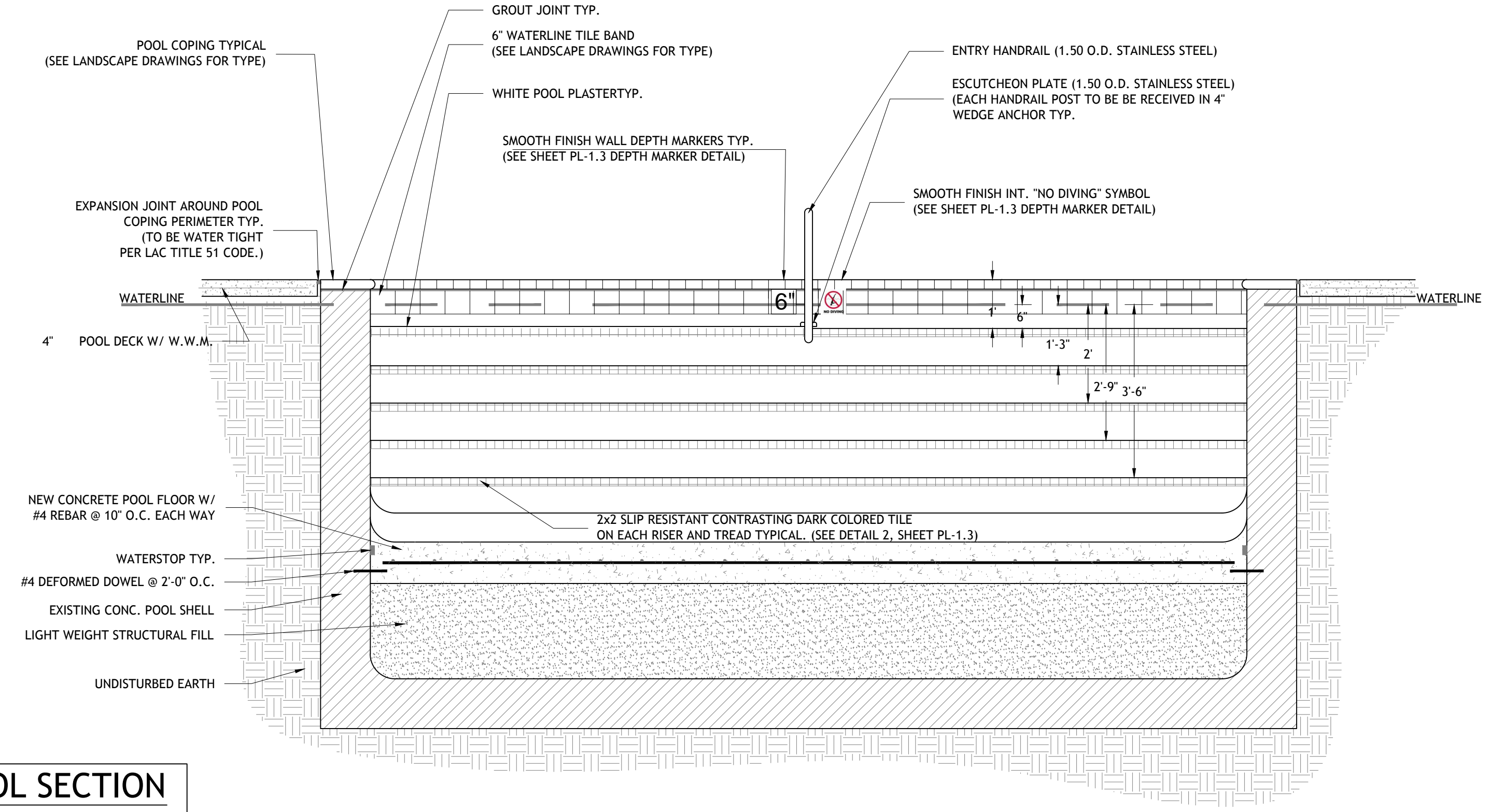
Date: 6/21/2016
Drawn: T.JH

Checked:
Sheet Title:

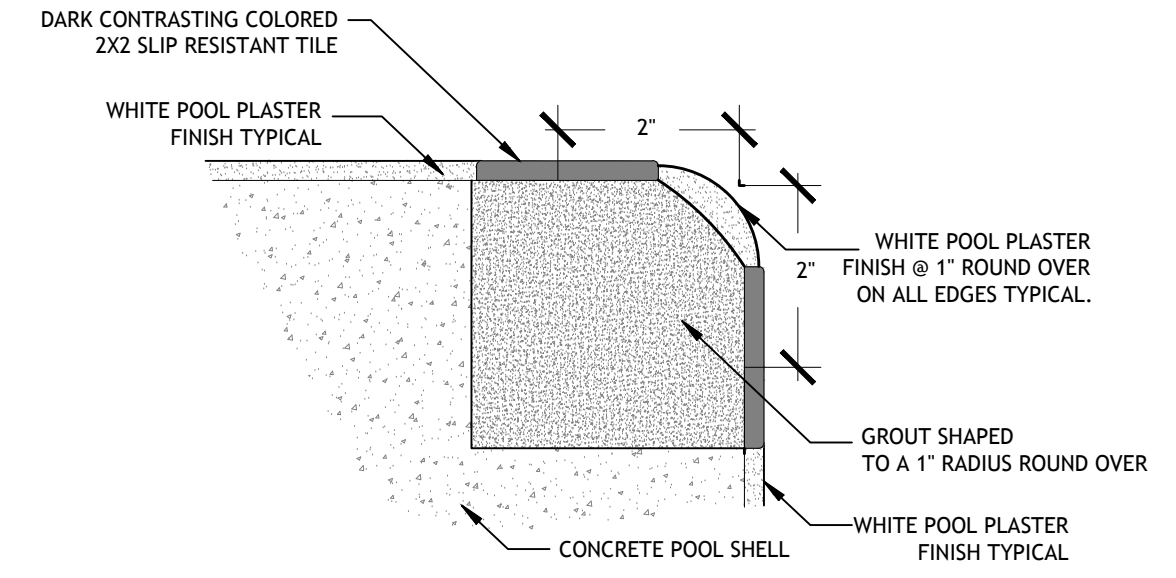
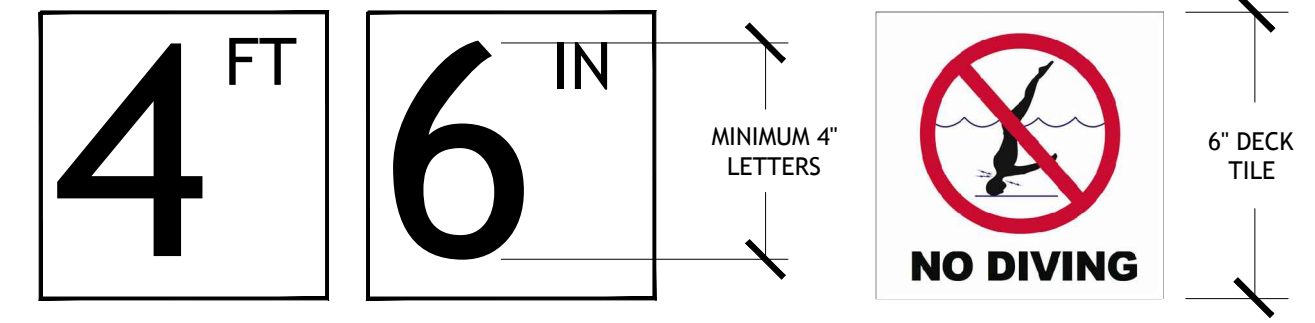
POOL SECTIONS & TYPICAL DETAILS

Drawing No.

PL-1.3
Sheet No.
7 of 8



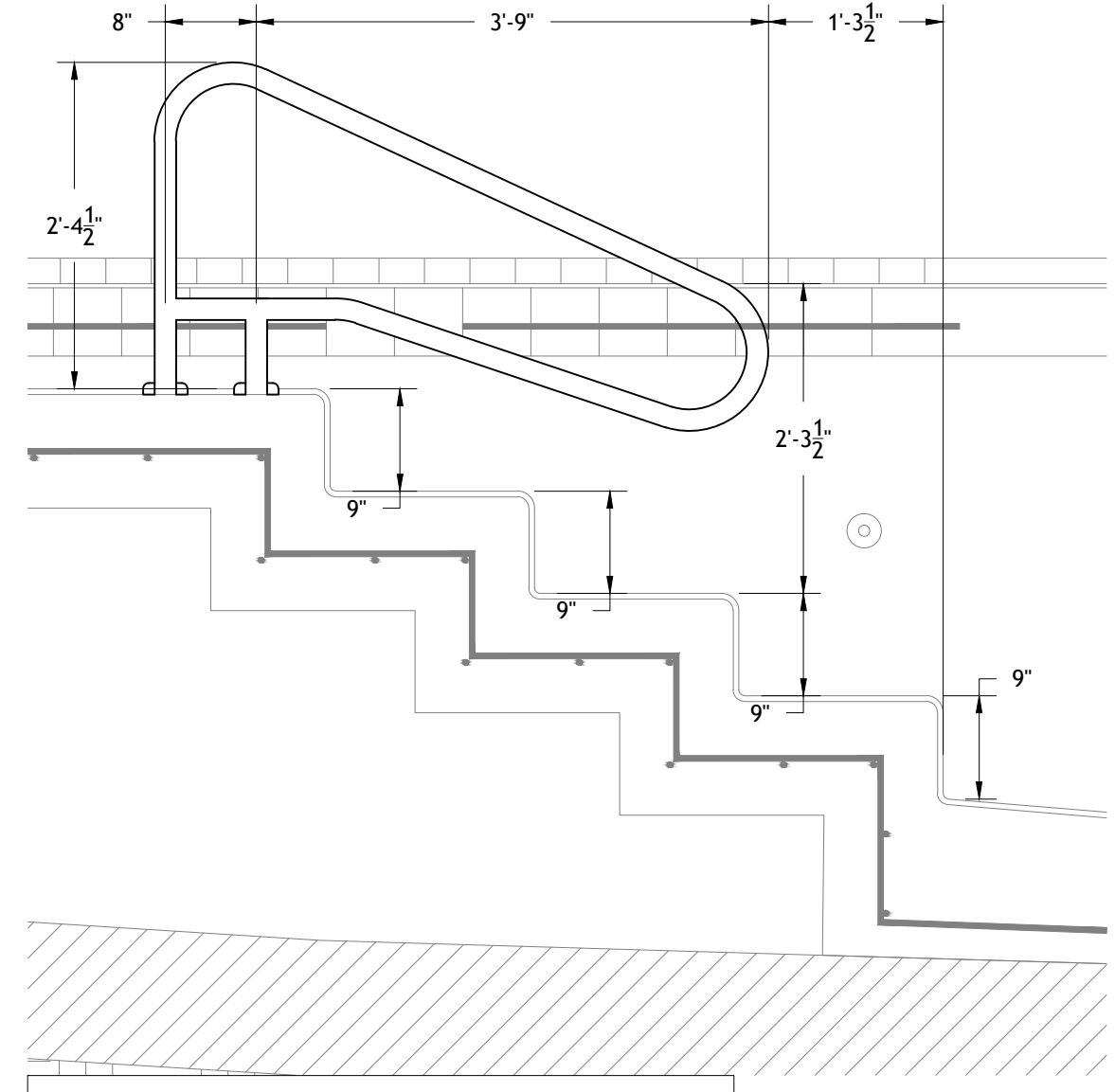
01 POOL SECTION
PL-1.3 SCALE: 1/2" = 1'-0"



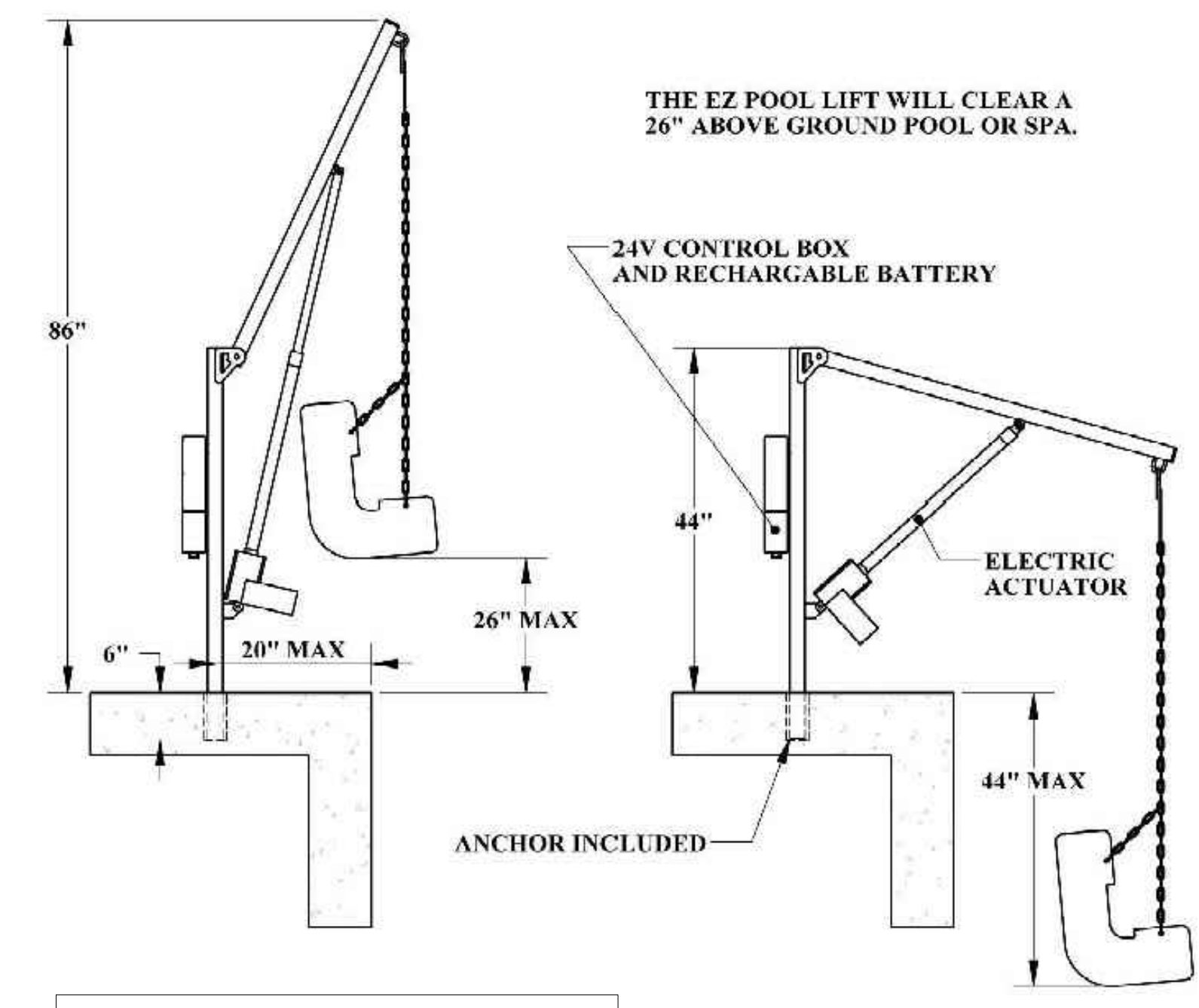
02 TRIM TILE DETAIL
PL-1.2 SCALE: NOT TO SCALE

- DEPTH MARKERS**
- MARKER REQUIREMENTS:
- DEPTH MARKERS BOTH SHOWING FEET AND INCHES.
 - "NO DIVING" SYMBOL MARKER WITH EACH DEPTH MARKER.
- NOTES:
- DEPTH MARKERS SHALL BE PLACED ON THE DECK WITH SPACING NOT TO EXCEED 25'-0"; NO MORE THAN 2 FOOT OF CHANGE IN SLOPE, AND TO ALSO PLACE A CORRESPONDING DEPTH MARKER IN DUPLICATE ON THE POOL WALL.
 - DECK TILES TO BE WITHIN 18" OF THE POOL WATER SURFACE.
 - DECK TILES TO BE POSITIONED TO BE READ WHILE STANDING ON THE DECK FACING THE WATER.
 - DEPTH MARKERS TO BE IN ENGLISH.
 - NUMERICAL COLOR OR LETTERING TO BE BLACK, ON WHITE BACKGROUND.
 - "NO DIVING" INTERNATIONAL SYMBOL MARKER TO BE PLACED AT EVERY LOCATION WHERE A DEPTH MARKER IS LOCATED.
 - ALL DECK DEPTH MARKERS & NO DIVING SYMBOLS ARE TO HAVE A SLIP RESISTANT FINISH TYPICAL.
 - POOL WALL DEPTH MARKERS & NO DIVING SYMBOLS ARE TO HAVE A SMOOTH FINISH.

03 TYPICAL DEPTH MARKER DETAIL
PL-1.2 SCALE: NOT TO SCALE



04 HAND RAIL DETAIL
PL-1.3 SCALE: 3/4" = 1'-0"



05 ADA POOL LIFT TYPICAL
PL-1.3 SCALE: NTS

Revisions:	No.	Date:	Description:
	01	8-18-2016	BOH cmts addressed

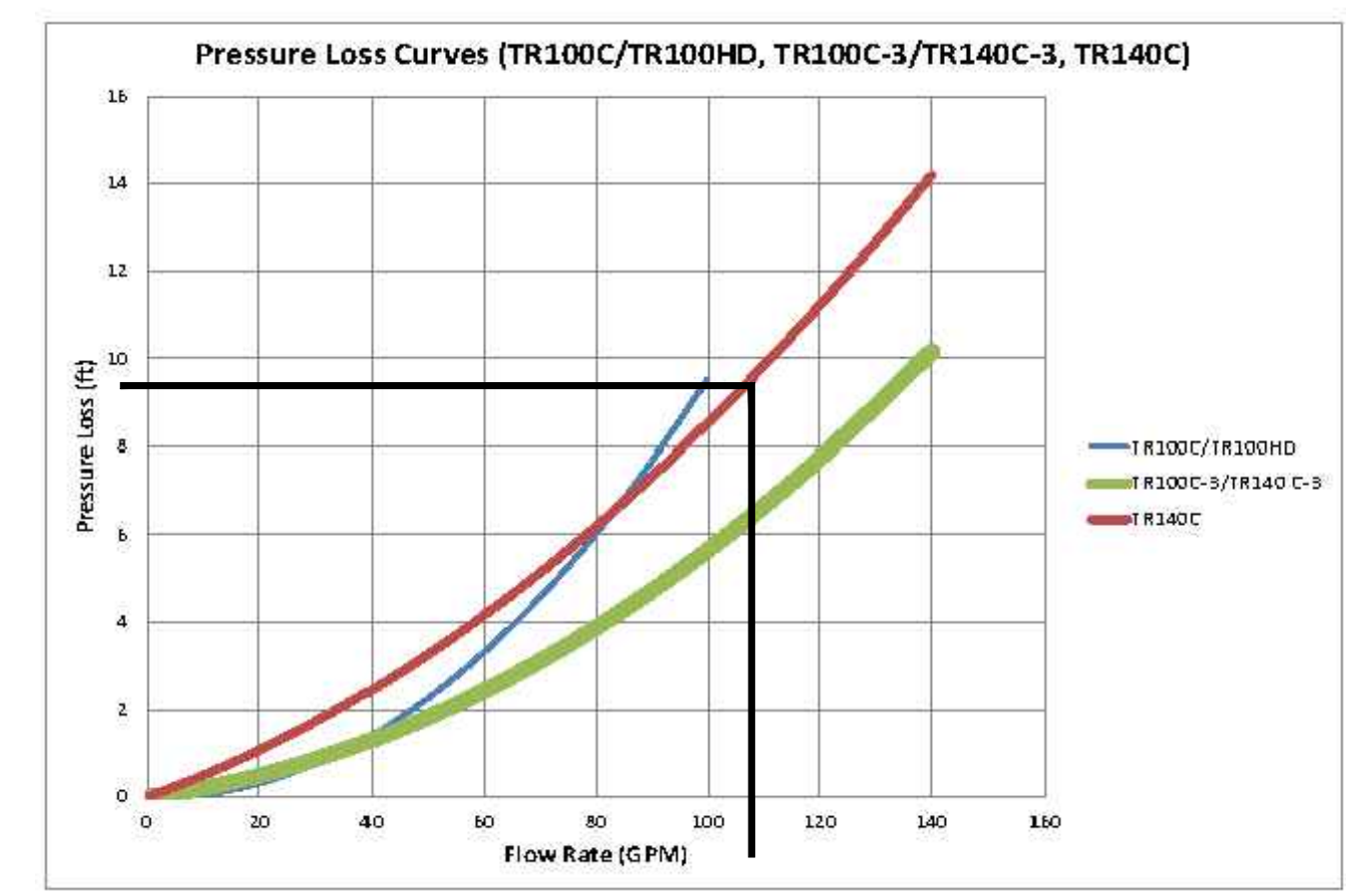
Date: 6/21/2016
Drawn: TJH
Checked:

Sheet Title:
EQUIPMENT DATA & PIPING SCHEMATIC

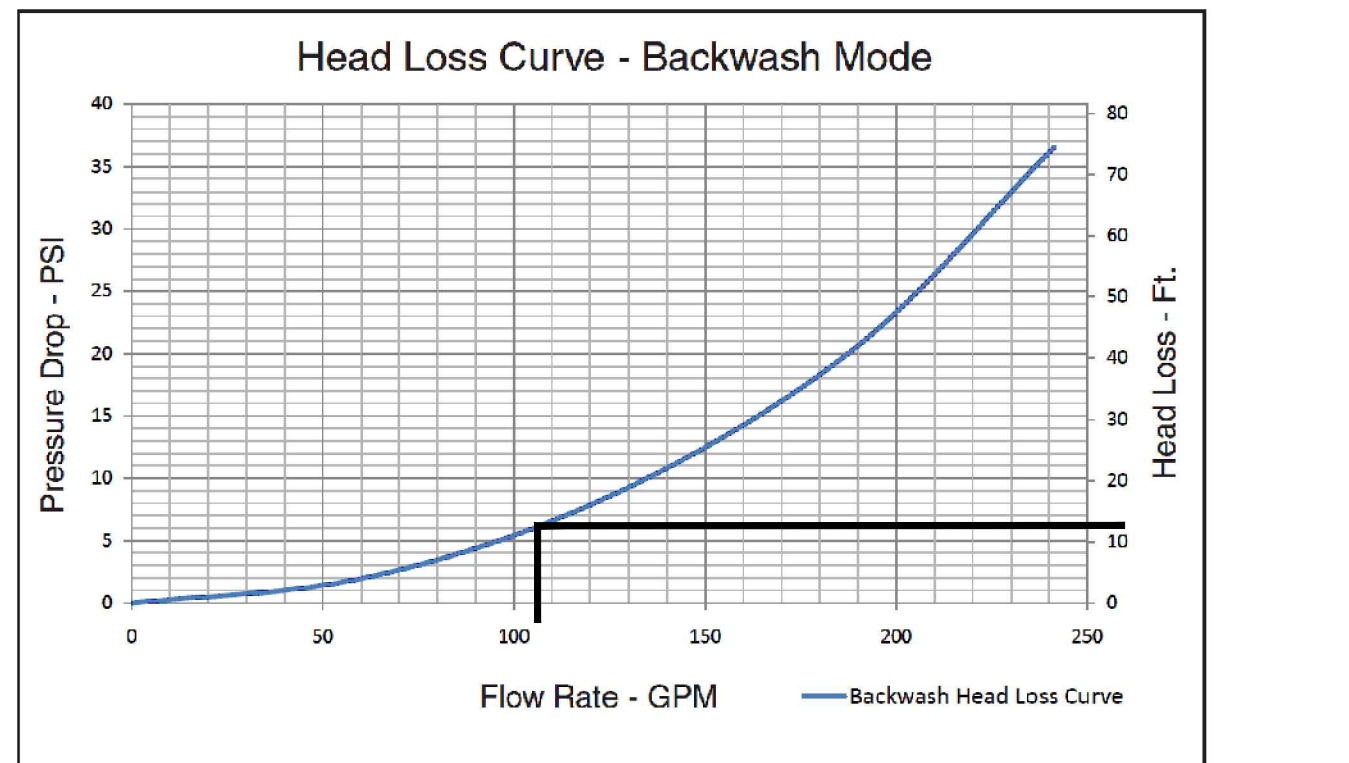
Drawing No.
PL-1.4
Sheet No.
8 of 8

POOL EQUIPMENT LEGEND

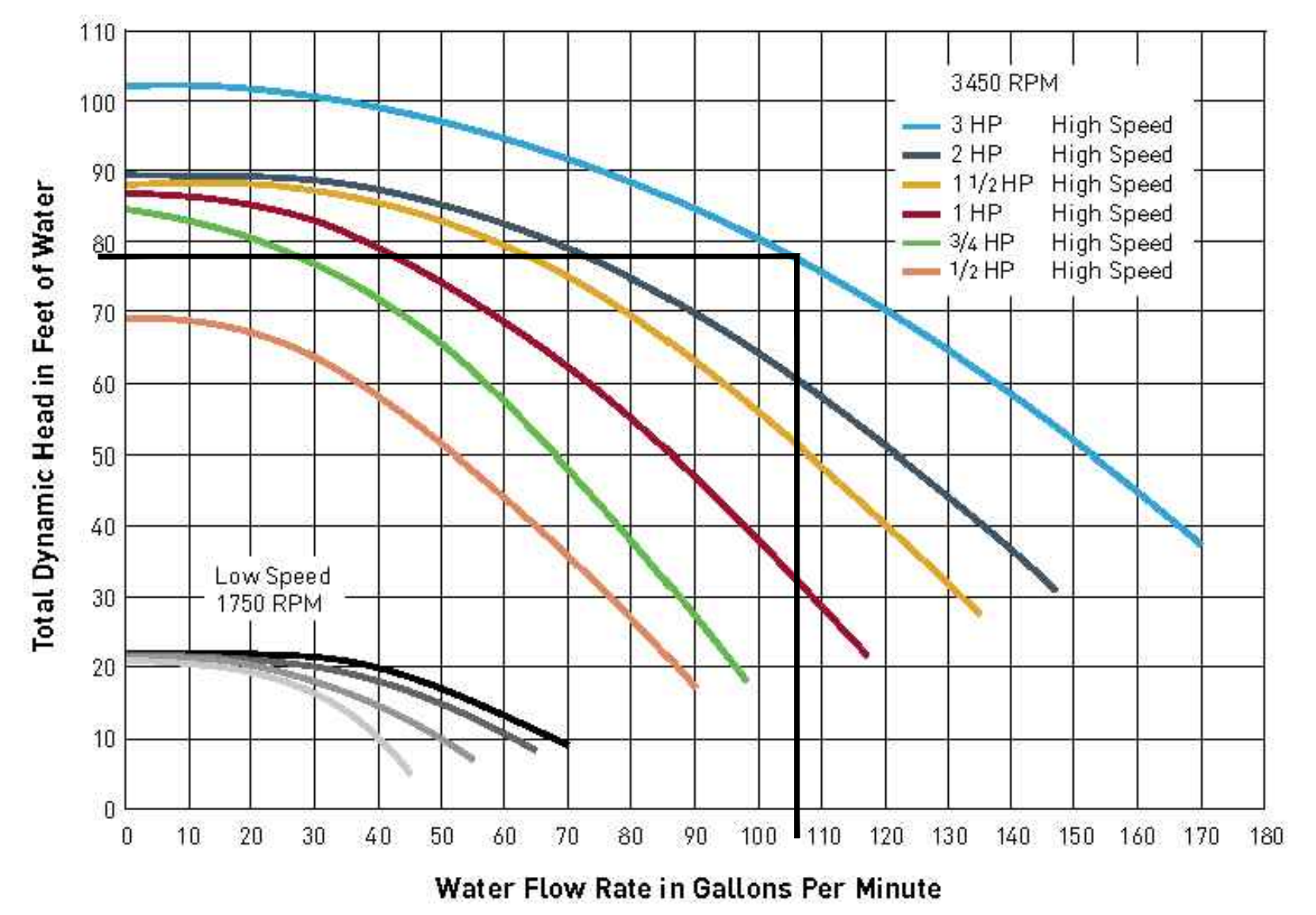
QTY	DESCRIPTION
1	TR140 SAND FILTER BY PENTAIR
1	WHISPERFLO 3HP PUMP XFE-8 HIGH EFFICIENCY
1	FULL FLOW MULTI-PORT BACKWASH VALVE (TO ACCEPT 3" PIPING)
2	9" MAIN DRAIN SLUMP AND GRATE ASSEMBLY (NSF AND VGB COMPLIANT)
1	2.5" BLUE-WHITE IMPACT FLOW METER
1	RAINBOW CHLORINATOR MODEL #320 BY PENTAIR
8	SP1419D HAYWARD 3/4" DIRECTIONAL EYEBALL
7	STA-RIT FLOOR INLET ASSEMBLY
2	HAY-25-1504 SP1022S INLET SLIP FITTING
2	U-3 SKIMMER
2	EQUALIZER SUCTION OUTLET COVER (NSF AND VGB COMPLIANT)
1	POOL MISER
2	TRUE-UNION BALL VALVES FOR PIPE SIZE 3" AND SMALLER
	SCH 40 PVC PIPE FOR ALL SUCTION, RETURN, AND EQUIPMENT ROOM PIPING
1	1.90" O.D. HANDRAIL DMS-102 DECK MOUNTED
1	4 TREAD STAINLESS STEEL ECONOMY LADDER
1	TAYLOR TEST KIT K-2005 (DPO METHOD OF TESTING FOR CHLORINE RESIDUALS)
4	4" 1.90" WEDGE ANCHORS FOR HANDRAIL AND LADDER
4	1.90" O.D. ESCUTCHEONS FOR HANDRAIL AND LADDER
	1"X1 WATERLINE TILE (SEE HARDSCAPE PLAN FOR COLOR AND STYLE)
	2X2 KEYSTONE TILE FOR STEPS AND UNDERWATER BENCHES (SEE HARDSCAPE PLAN)
	6X6 DEPTH MARKERS, 4" BLACK LETTERING ON WHITE BACKGROUND (SLIP RESISTANT FINISH)
	6X6 INTERNATIONAL "NO DIVING" SYMBOL
	WHITE PLASTER



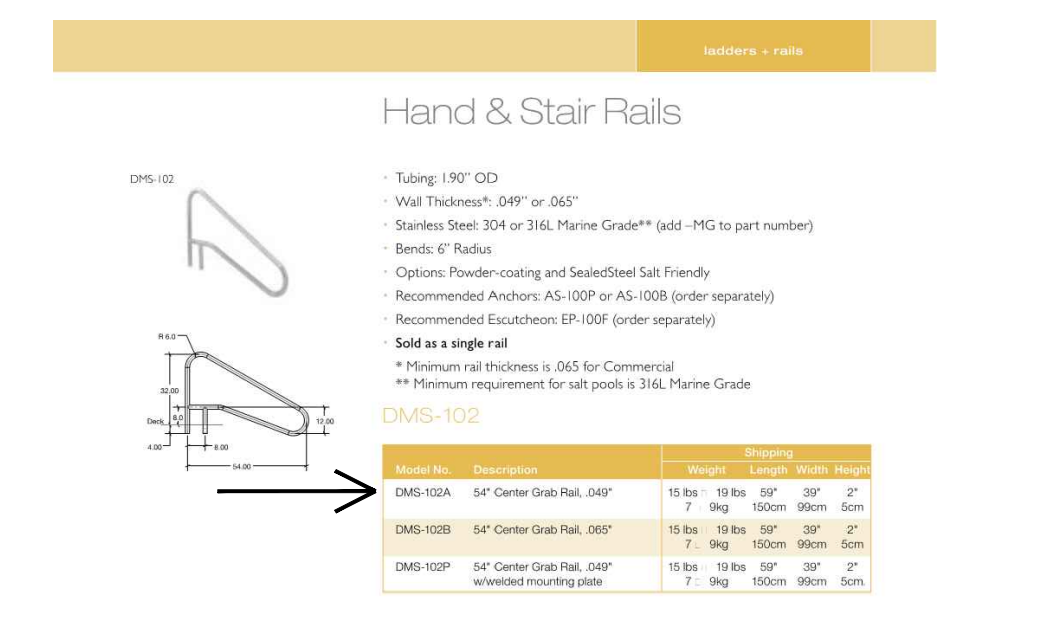
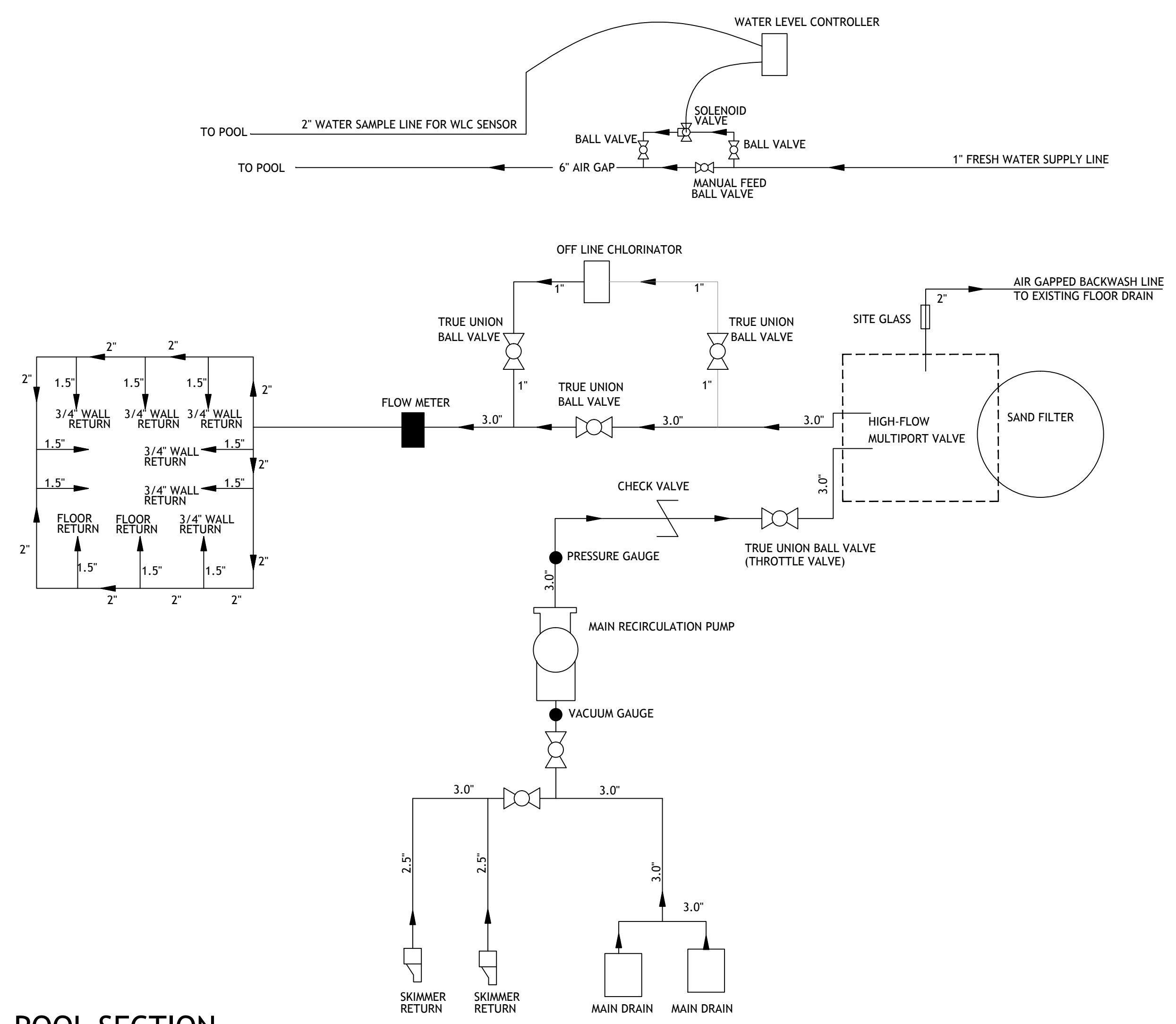
06 SAND FILTER PERFORMANCE CURVE
PL-1.3 SCALE: NOT TO SCALE



07 HI-FLO VALVE PERFORMANCE CURVE
PL-1.3 SCALE: NOT TO SCALE



08 RECIRCULATION PUMP PERFORMANCE CURVE
PL-1.3 SCALE: NOT TO SCALE



AQUASTAR 9" SQUARE MOLFLO™ SUCTION OUTLET COVER AND MUD FRAME

VGB Series

FEATURES:

- 9" square MOLFLO™ suction outlet cover and mud frame
- 3/4" wall return
- 1.5" floor return
- 1.5" floor return
- 1.5" floor return

ADDITIONAL PRODUCT CONFIGURATIONS FOR MOLFLO™:

Model	Material	Color
MOLFLO-9-SS	Stainless Steel	Black
MOLFLO-9-AL	Aluminum	Black
MOLFLO-9-PP	Polycarbonate	Black

02 MAIN DRAIN COVER
PL-1.3 SCALE: NOT TO SCALE

AQUASTAR 4" ROUND HOCKEY PUCK SUMLISS™ SUCTION OUTLET COVER

VGB Series

FEATURES:

- 4" round Hockey Puck Sumliss™ suction outlet cover
- No sump required!

ADDITIONAL PRODUCT CONFIGURATIONS FOR SUMLISS™:

Model	Material	Color
SUMLISS-4-SS	Stainless Steel	Black
SUMLISS-4-AL	Aluminum	Black
SUMLISS-4-PP	Polycarbonate	Black

03 SKIMMER EQ LINE COVER
PL-1.3 SCALE: NOT TO SCALE

HI-FLO VALVE

CAUTION: Do not install heater into copper plumbing. Pipe damage could occur. Heater install under valves heater. Heater damage could occur.

04 IN-LINE CHLORINATOR
PL-1.3 SCALE: NOT TO SCALE

04 IN-LINE CHLORINATOR
PL-1.3 SCALE: NOT TO SCALE