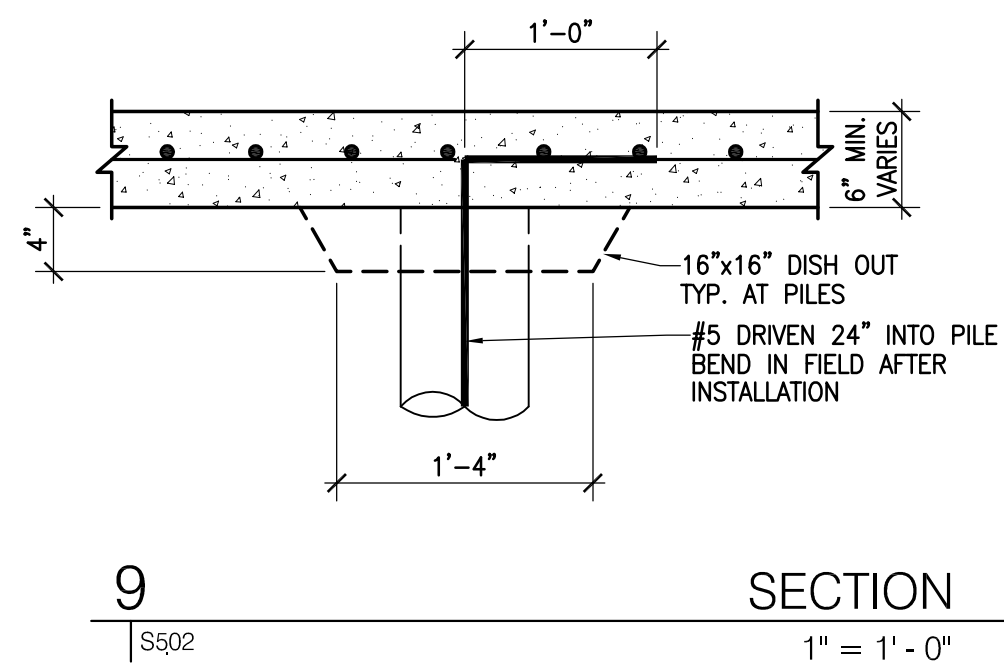
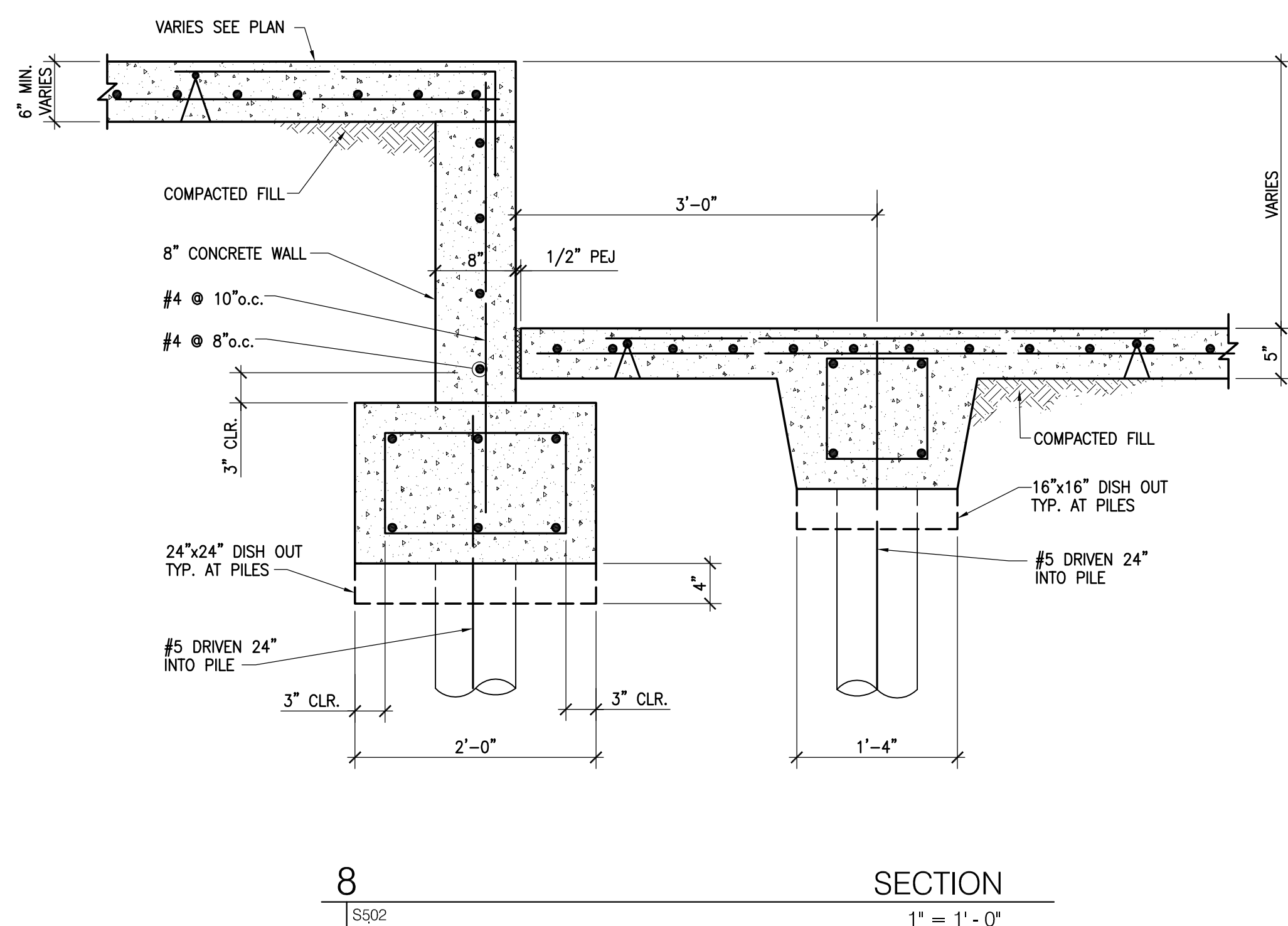
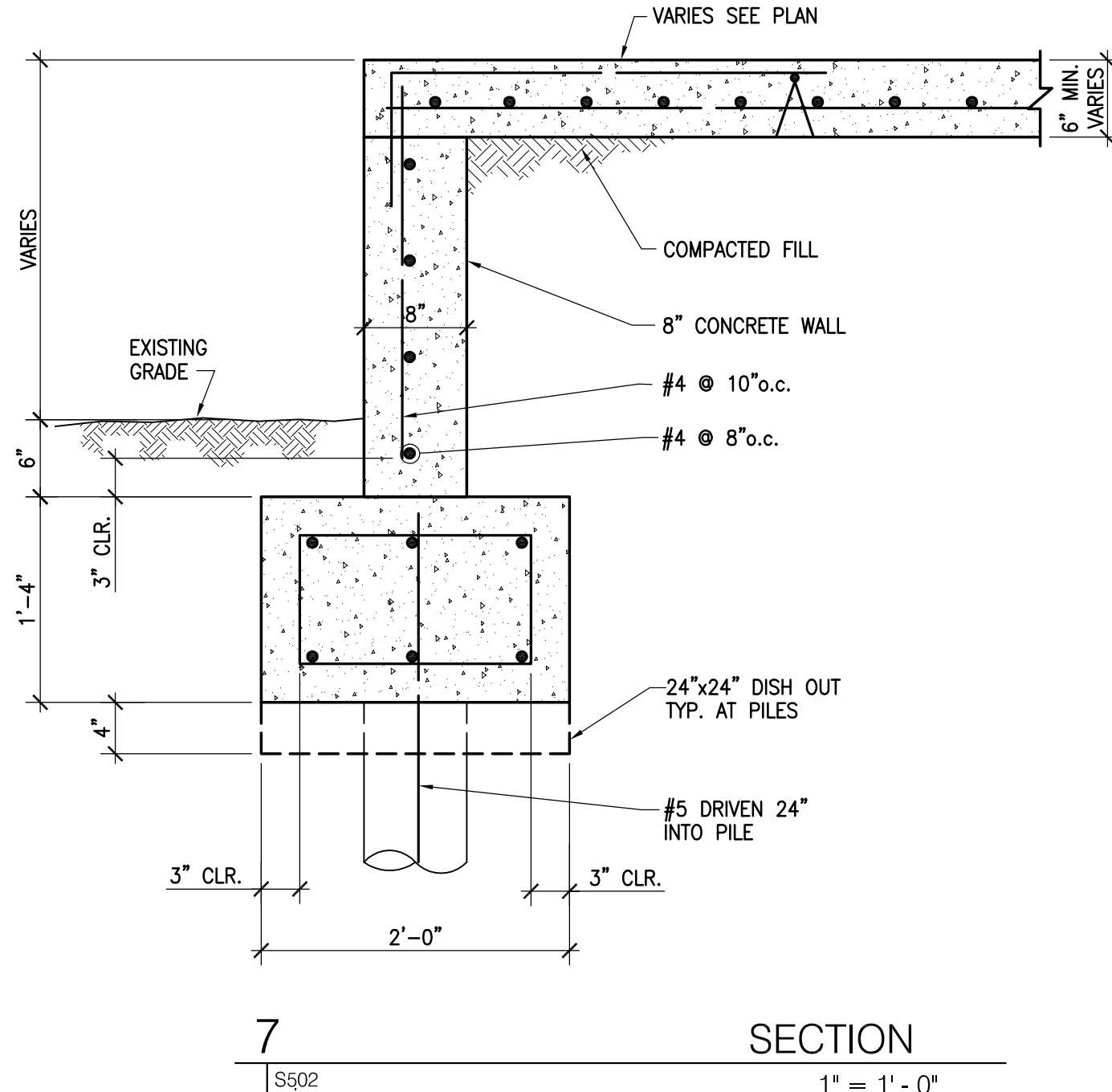
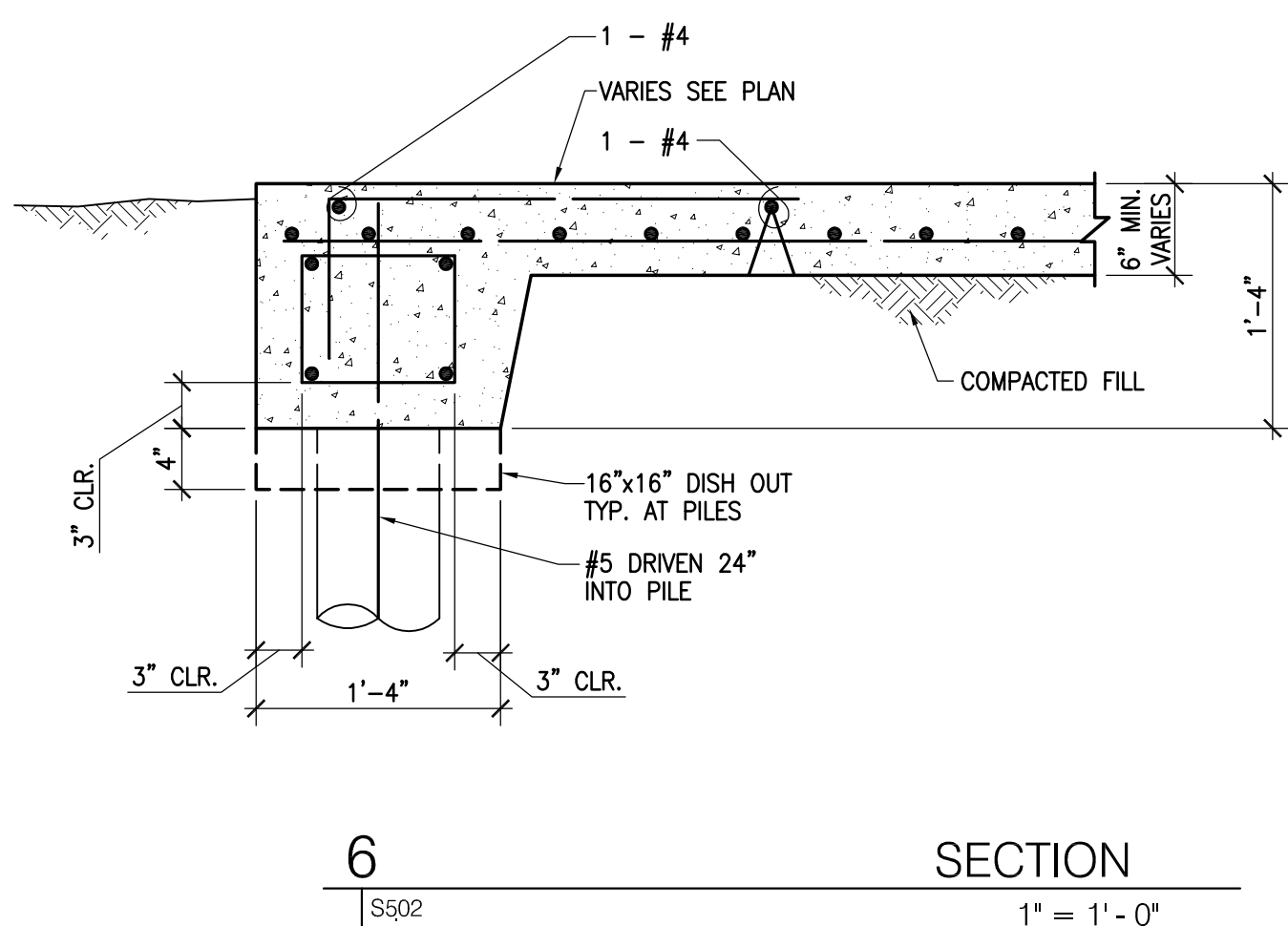
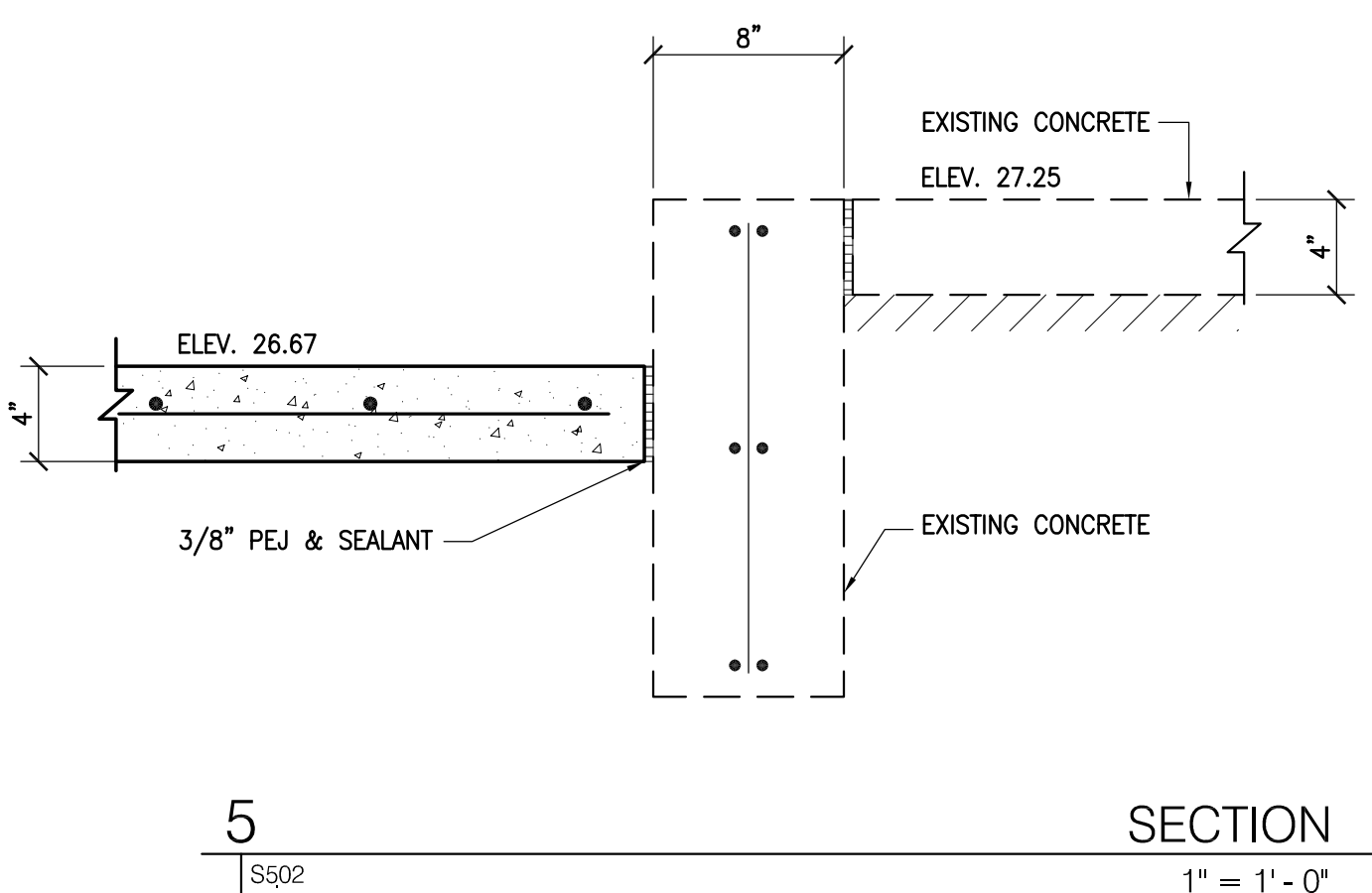
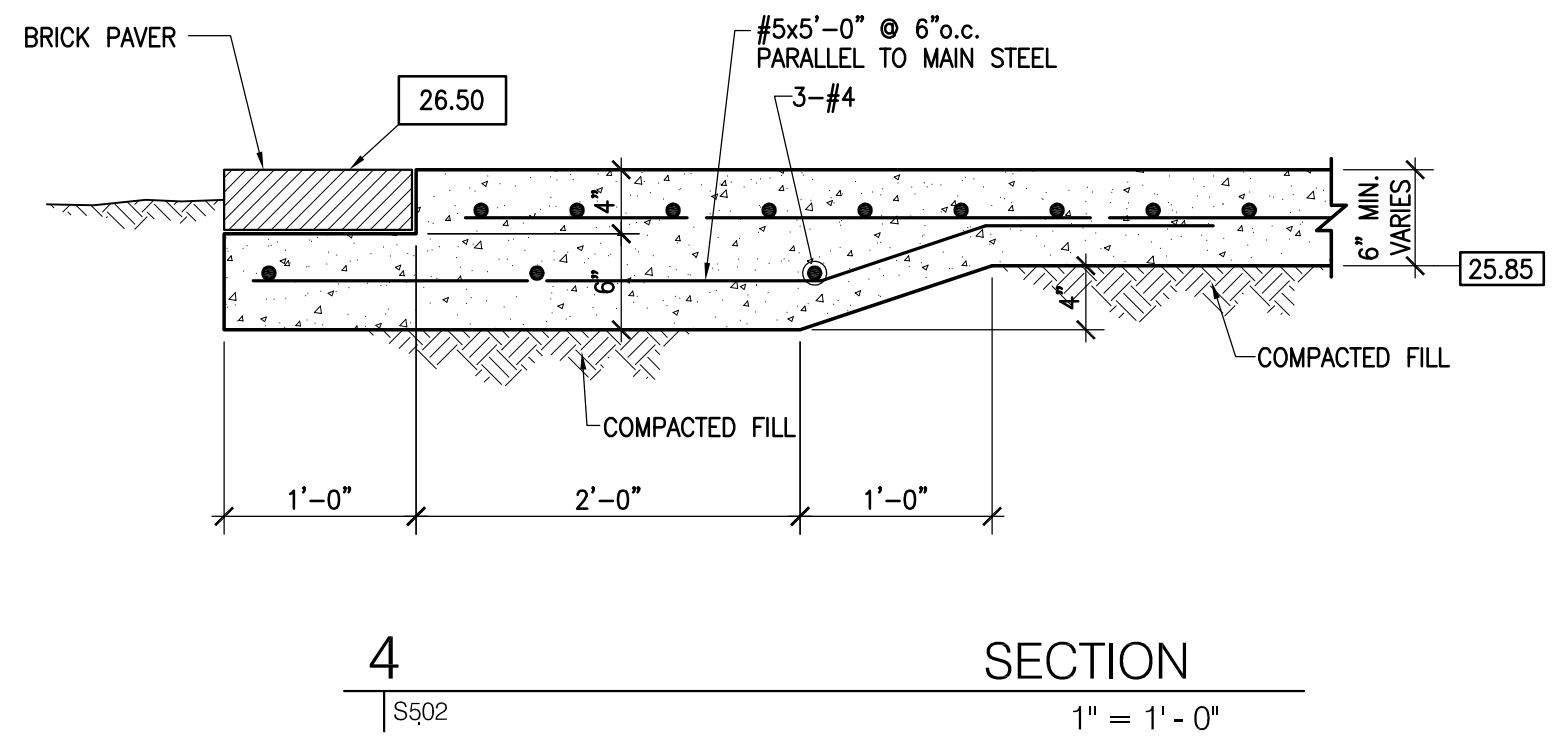
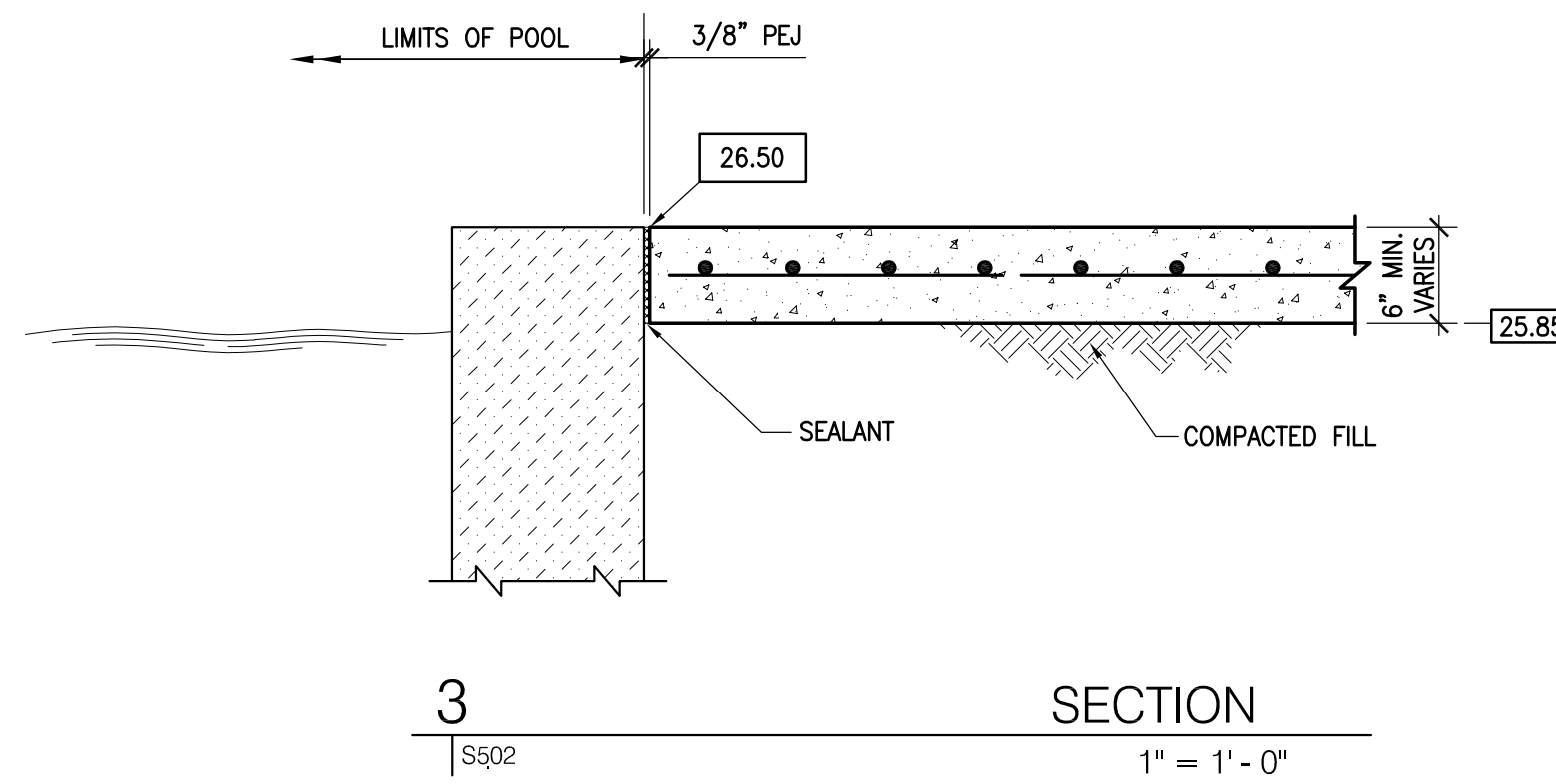
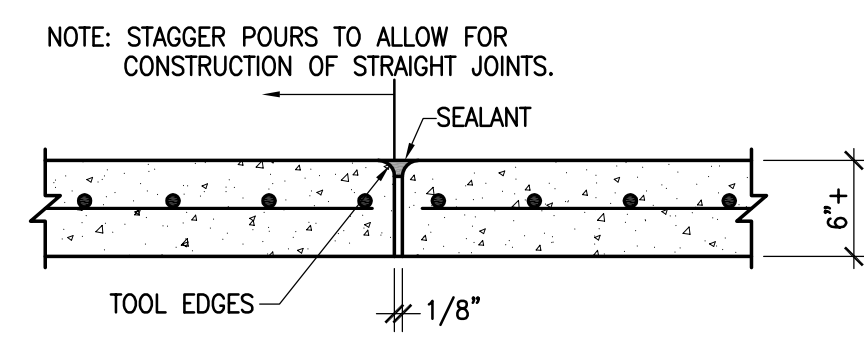


2 (NOT USED)  
S502



9 SECTION  
S502 1 inch = 1 foot 0 inches



10 TYPICAL CONSTRUCTION JOINT DETAIL  
S502 1 inch = 1 foot 0 inches

SHEET TITLE: Foundation Sections

DATE: October 9, 2009

DRAWN BY:

REVISION:

CHERYL NAME: 5148\_s502.dwg DATE: OCT 13, 2009 TIME: 12:58 PM

COPYRIGHT © 2009 by Waggoner & Ball Architects, APC  
All rights reserved. No part of this work covered by the copyright herein may be reproduced or used in any form or by any means - graphic, electronic or mechanical, including photocopying, recording, taping or information storage and retrieval systems - without written permission of the copyright holder.