





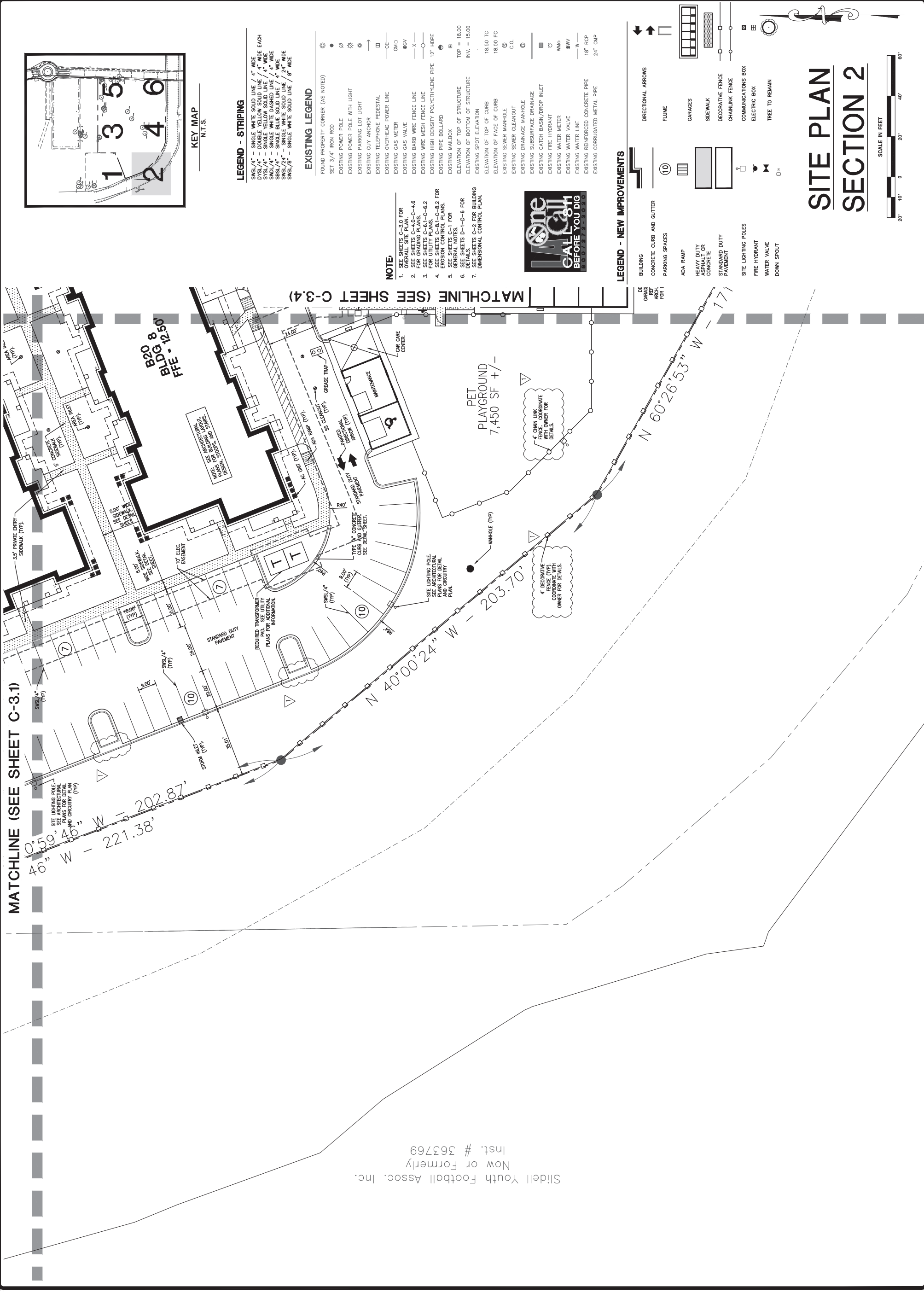
REVISION	BY	DATE
7-24-14	SMT	
ADDENDUM 1		

**BDG**  
**DUPONTANTS DESIGN GROUP, PC**  
 CIVIL ENGINEERING - ARCHITECTURE  
 24 LOUIS PRIMA DRIVE COVINGTON, LA 70433  
 Phone: 985-496-8000 Fax: 985-496-8190  
 WWW.BDGPC.COM  
 THIBODAX | COVINGTON | HOUSTON | BATON ROUGE | HOUMA

PROGRESS SET - FOR REVIEW ONLY  
 Issued 07/24/14  
 These documents are for Design Review and not intended for Construction, Bidding, Recordation, Conveyance, or for the basis for the issuance of a permit. They were prepared by, or under the supervision of, Douglas E. Bortolone, P.E., #34541  
 Duplants Design Group, PC

**SPRINGS AT FREMAUX TOWN CENTER**  
**ST. TAMMANY PARISH**  
**FOR CONTINENTAL 294 FUND LLC**  
**MEMONEE FALLS, WI**

DRAWN	DBS
CHECKED	DEB
ISSUED DATE	7/24/14
ISSUED FOR PERMITTING	
PROJECT NO.	14-248
FILE	14-248 C-3 BITE
SHEET	C-3.2



Slidell Youth Football Assoc. Inc.  
 Now or Formerly  
 Inst. # 363769



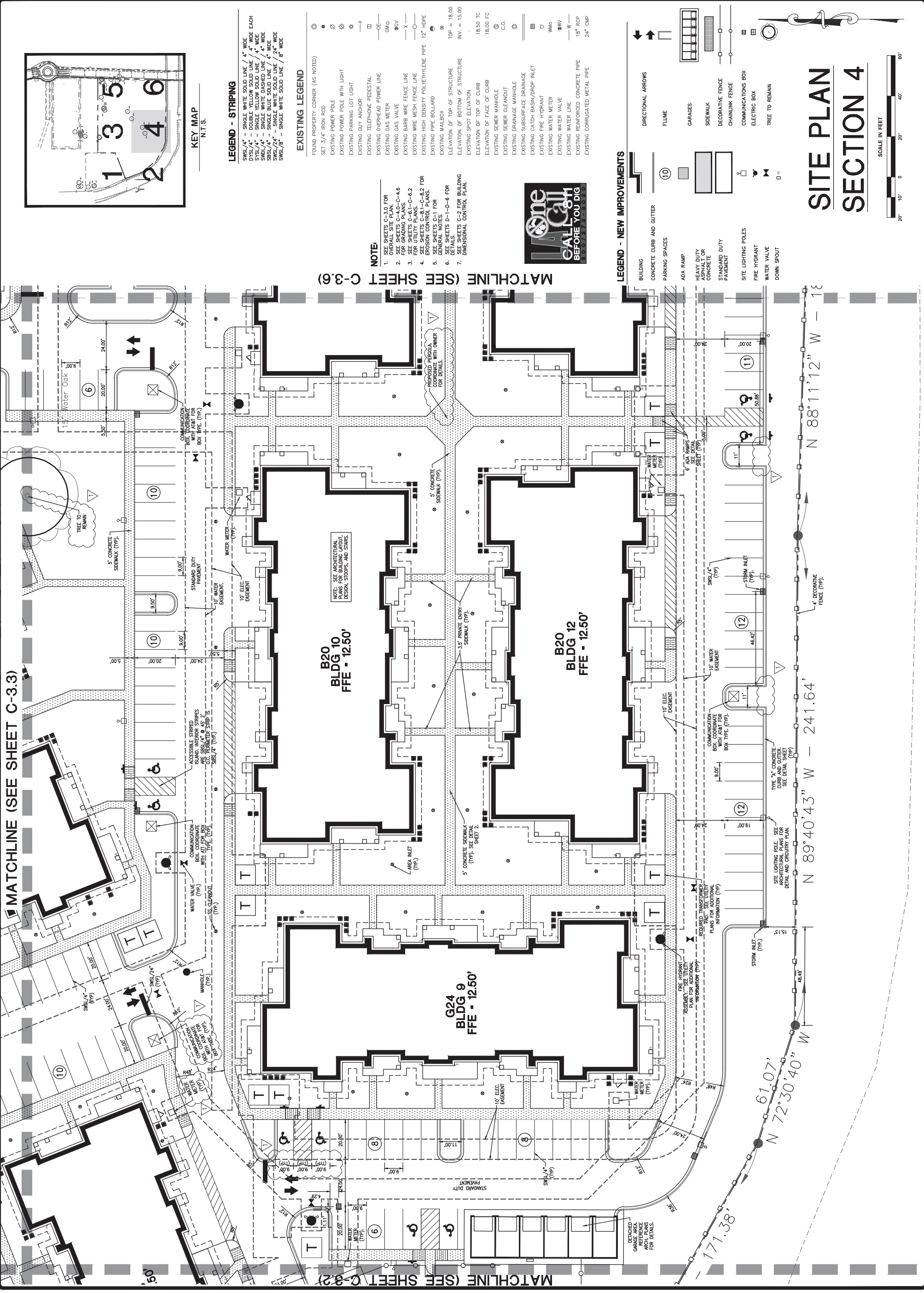
REVISION	BY
7-24-14	SMT
ADDENDUM 1	

**DDG**  
 DUPONT'S DESIGN GROUP, PC  
 CIVIL ENGINEERING & ARCHITECTURE  
 24 LOUIS PRIMA DRIVE COVINGTON, LA 70433  
 WWW.DDGP.COM  
 PHONE 984-9680 || FAX 984-9690  
 THIBODAX | COVINGTON | HOUSTON | BATON ROUGE | HOUMA

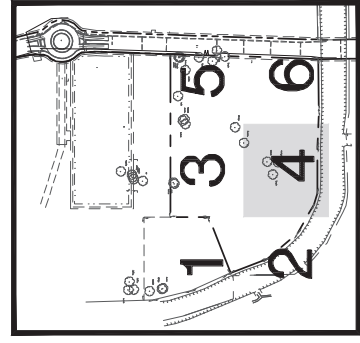
PROGRESS SET - FOR REVIEW ONLY  
 Issued 07/24/14  
 These documents are for Design Review and not intended for Construction, Bidding, Recordation, Conveyance or as the basis for a permit.  
 They were prepared by, or under the supervision of, Douglas E. Borjesson, P.E., #34541  
 Dupont's Design Group, PC

SPRINGS AT FREMAUX TOWN CENTER  
 ST. TAMMANY PARISH  
 MEMONREE FALLS, WI  
 FOR CONTINENTAL 294 FUND LLC

DRAWN	DBS
CHECKED	DEB
ISSUED DATE	7/24/14
ISSUED FOR	PERMITTING
PROJECT NO.	14-248
FILE	14-248 C-3 SITE
SHEET	C-3.4



MATCHLINE (SEE SHEET C-3.3)



**LEGEND - STRIPING**

SWS/A" - SINGLE WHITE SOLID LINE / 4" WIDE  
 DYS/A" - DOUBLE YELLOW SOLID LINE / 4" WIDE EACH  
 SWS/LA" - SINGLE YELLOW SOLID LINE / 4" WIDE  
 SWS/AA" - SINGLE WHITE SOLID LINE / 4" WIDE  
 SWS/DA" - SINGLE WHITE DASHED LINE / 4" WIDE  
 SWS/2A" - SINGLE WHITE SOLID LINE / 24" WIDE  
 SWS/8" - SINGLE WHITE SOLID LINE / 8" WIDE

**EXISTING LEGEND**

FOUND PROPERTY CORNER (AS NOTED)  
 SET 3/4" IRON ROD  
 EXISTING POWER POLE  
 EXISTING POWER POLE WITH LIGHT  
 EXISTING PARKING LOT LIGHT  
 EXISTING GUY ANCHOR  
 EXISTING TELEPHONE PEDESTAL  
 EXISTING OVERHEAD POWER LINE  
 EXISTING GAS METER  
 EXISTING GAS VALVE  
 EXISTING BARB WIRE FENCE LINE  
 EXISTING WIRE MESH FENCE LINE  
 EXISTING HIGH DENSITY POLYETHYLENE PIPE 12" HOPE  
 EXISTING PIPE BOLLARD  
 EXISTING MAILBOX  
 ELEVATION OF TOP OF STRUCTURE  
 ELEVATION OF BOTTOM OF STRUCTURE  
 ELEVATION OF TOP OF CURB  
 ELEVATION OF FACE OF CURB  
 EXISTING SEWER MANHOLE  
 EXISTING SEWER CLEANOUT  
 EXISTING DRAINAGE MANHOLE  
 EXISTING SUBSURFACE DRAINAGE  
 EXISTING CATCH BASIN/DROP INLET  
 EXISTING FIRE HYDRANT  
 EXISTING WATER METER  
 EXISTING WATER VALVE  
 EXISTING WATER LINE  
 EXISTING REINFORCED CONCRETE PIPE  
 EXISTING CORRUGATED METAL PIPE

**NOTE:**

- SEE SHEETS C-3.0 FOR OVERALL SITE PLAN
- SEE SHEETS C-4.0-C-4.6 FOR GRADING PLANS
- SEE SHEETS C-6.1-C-6.2 FOR EROSION CONTROL PLANS
- SEE SHEETS C-8.1-C-8.2 FOR EROSION CONTROL PLANS
- SEE SHEETS C-1 FOR GENERAL NOTES
- DETAILS D-1-D-6 FOR DIMENSIONAL CONTROL PLAN
- SEE SHEETS C-2 FOR BUILDING DIMENSIONAL CONTROL PLAN

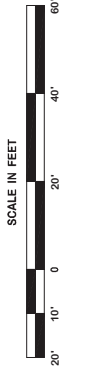


**LEGEND - NEW IMPROVEMENTS**

BUILDING  
 CONCRETE CURB AND GUTTER  
 PARKING SPACES  
 ADA RAMP  
 HEAVY DUTY ASPHALT OR CONCRETE  
 STANDARD DUTY PAVEMENT  
 SITE LIGHTING POLES  
 FIRE HYDRANT  
 WATER VALVE  
 DOWN SPOUT

DIRECTIONAL ARROWS  
 FLUME  
 GARAGES  
 SIDEWALK  
 DECORATIVE FENCE  
 CHAINLINK FENCE  
 COMMUNICATIONS BOX  
 ELECTRIC BOX  
 TREE TO REMAIN

**SITE PLAN**  
**SECTION 4**





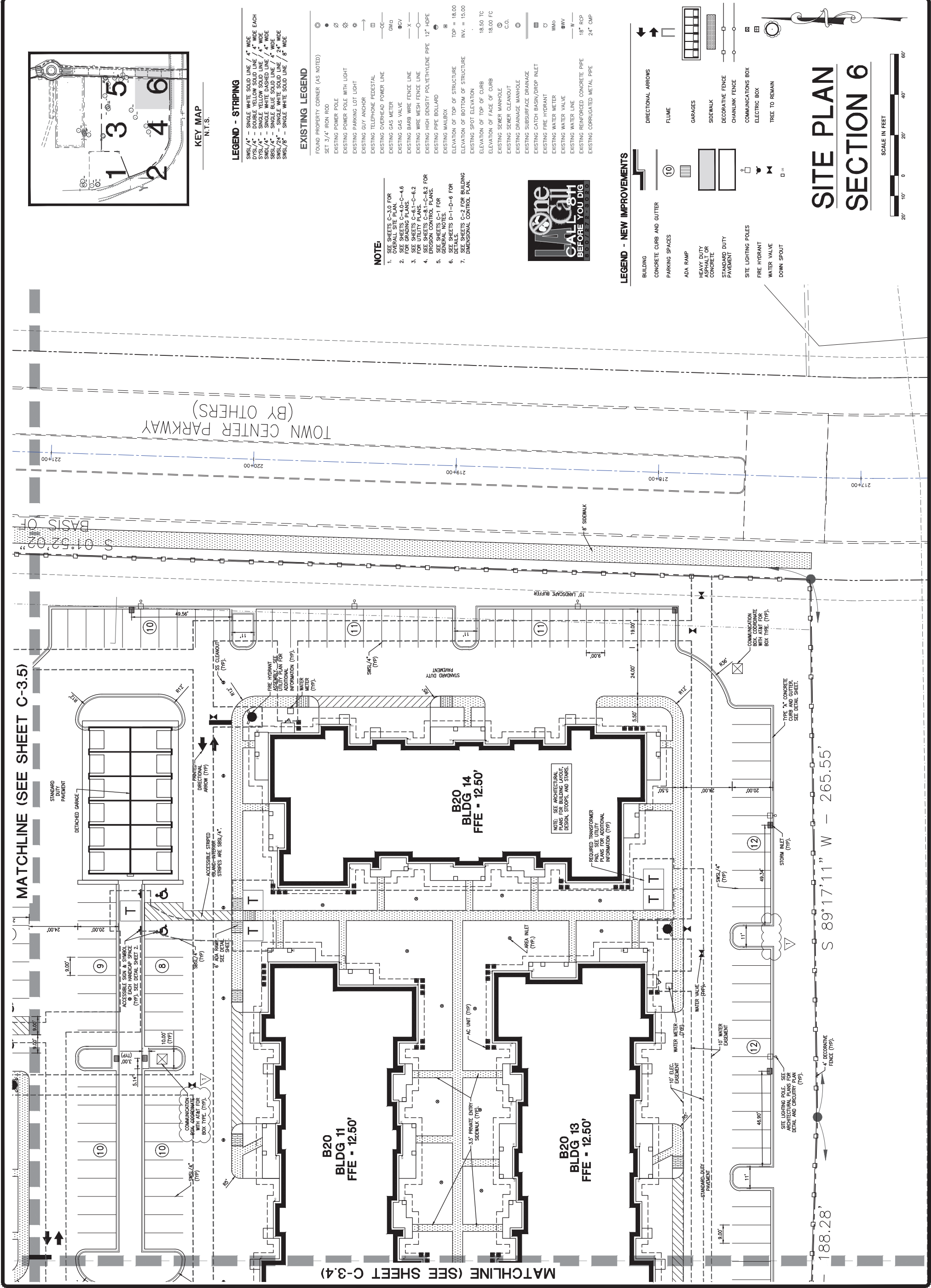
REVISION	BY
7/24/14	SMT
ACCOMMOD 1	

**BDG**  
 DUPONT'S DESIGN GROUP, PC  
 CIVIL ENGINEERING - ARCHITECTURE  
 24 LOUIS PRIMA DRIVE COVINGTON, LA 70433  
 Phone 985-496-8680 // Fax 985-496-8790  
 WWW.BDGPC.COM  
 THIBODAX | COVINGTON | HOUSTON | BATON ROUGE | HOUMA

PROGRESS SET - FOR REVIEW ONLY  
 Issued 07/24/14  
 These documents are for Design Review and not intended for Construction, Bidding, Recordation, Conveyance, or as the basis for the preparation of a permit.  
 Douglas E. Bordeleaux, P.E. #34541  
 Dupont's Design Group, PC

SPRINGS AT FREMAUX TOWN CENTER  
 ST. TAMMANY PARISH  
 MEMONREE FALLS, WI  
 FOR CONTINENTAL 294 FUND LLC

DRAWN	DBS
CHECKED	DEB
ISSUED DATE	7/24/14
ISSUED FOR	PERMITTING
PROJECT NO.	14-248
FILE	14-248 C-3 BITE
SHEET	C-3.6



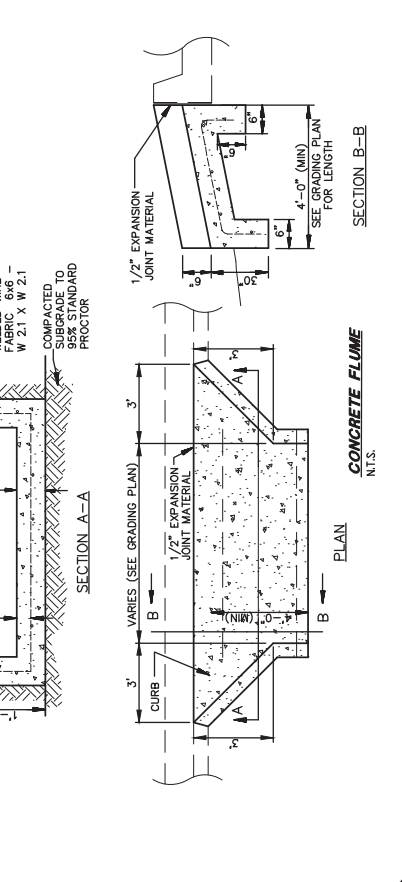
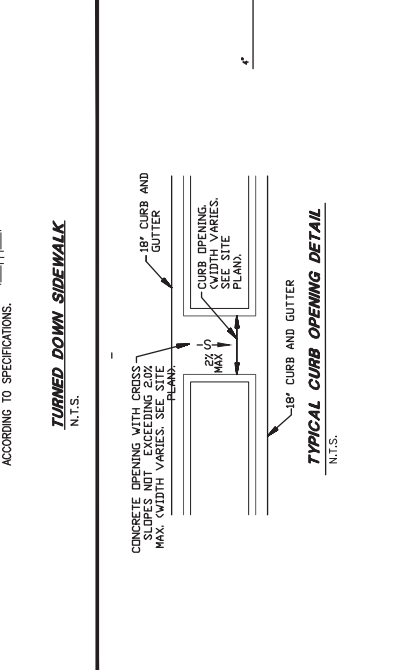
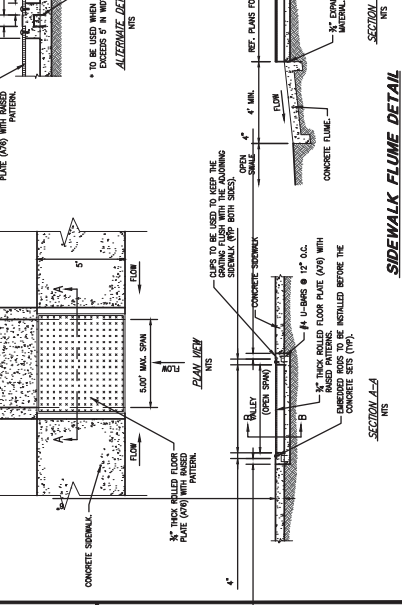
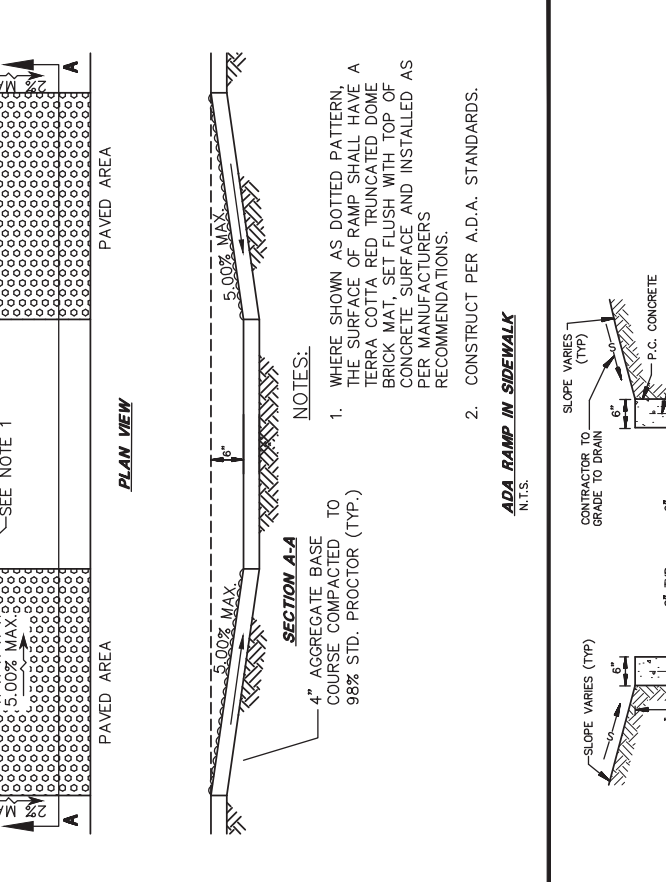
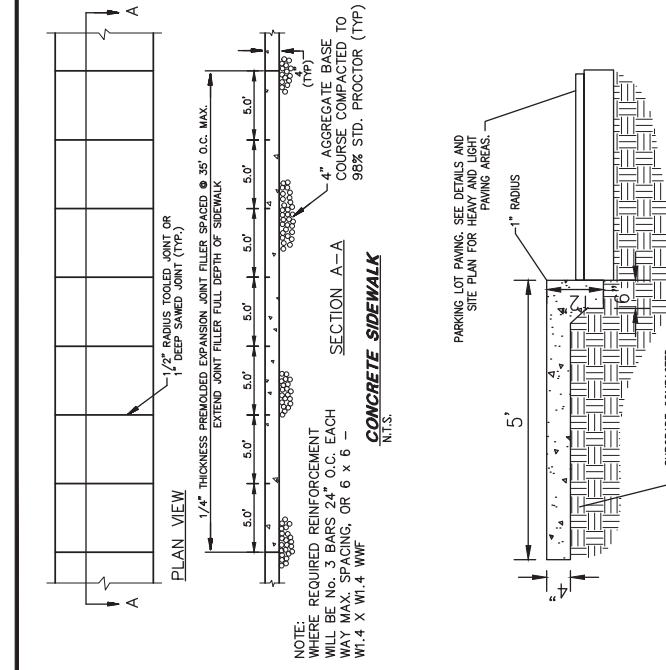
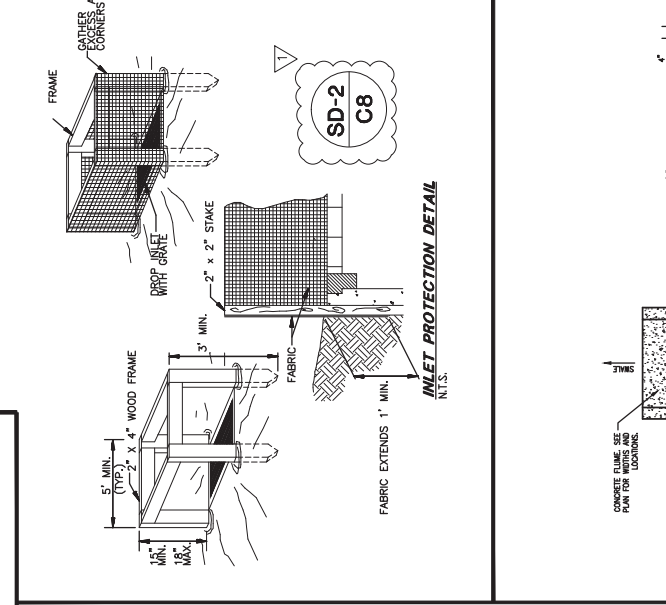
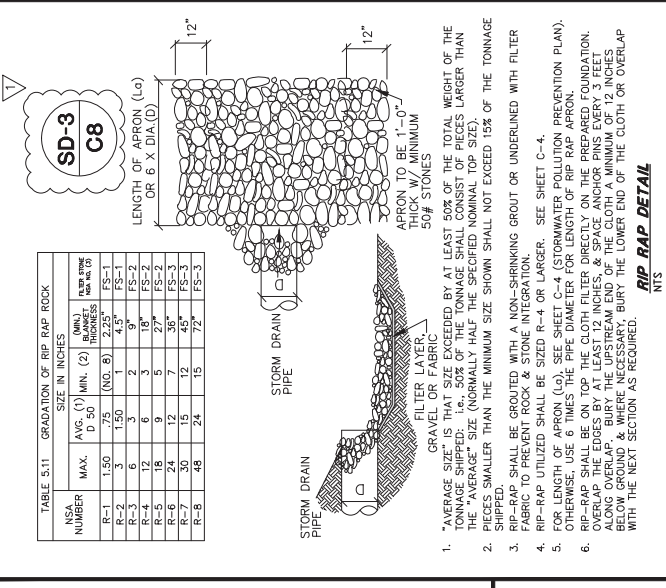
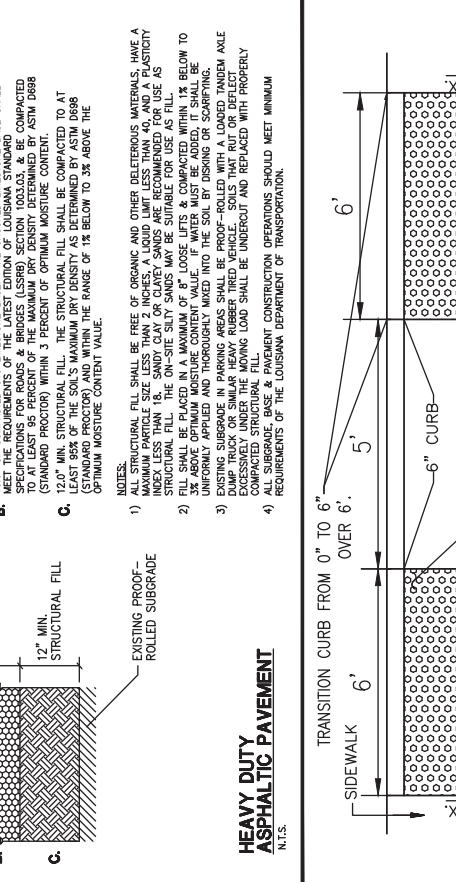
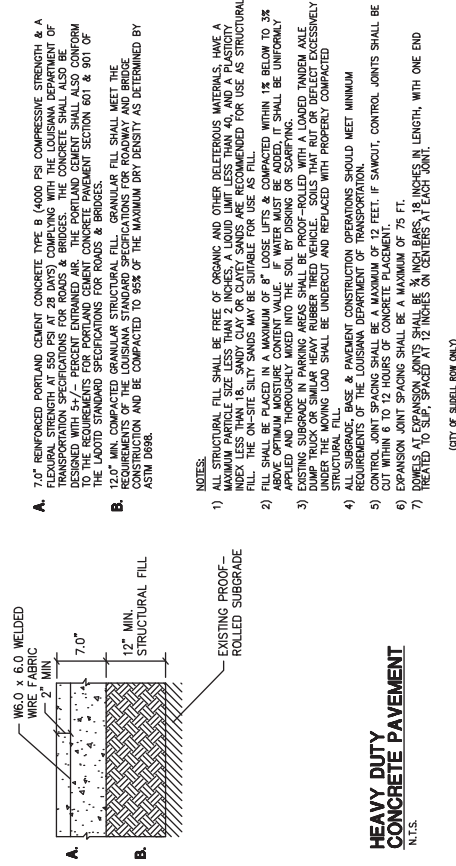
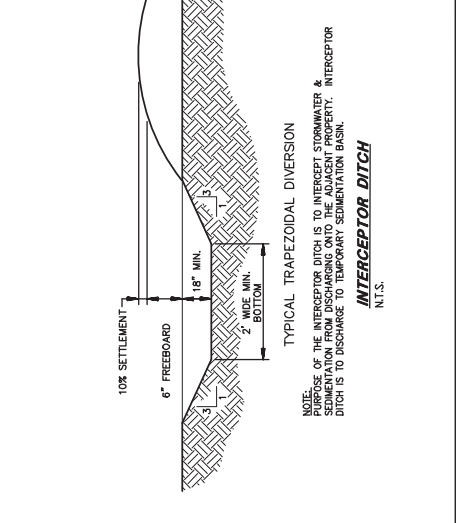
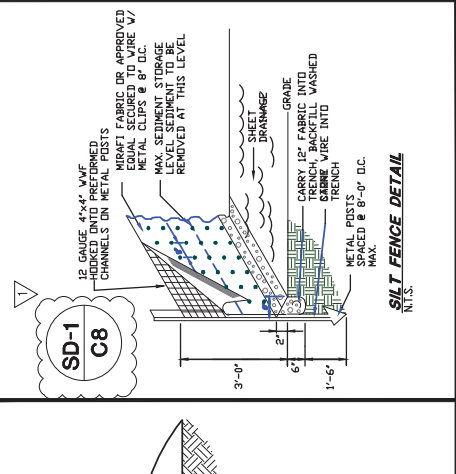
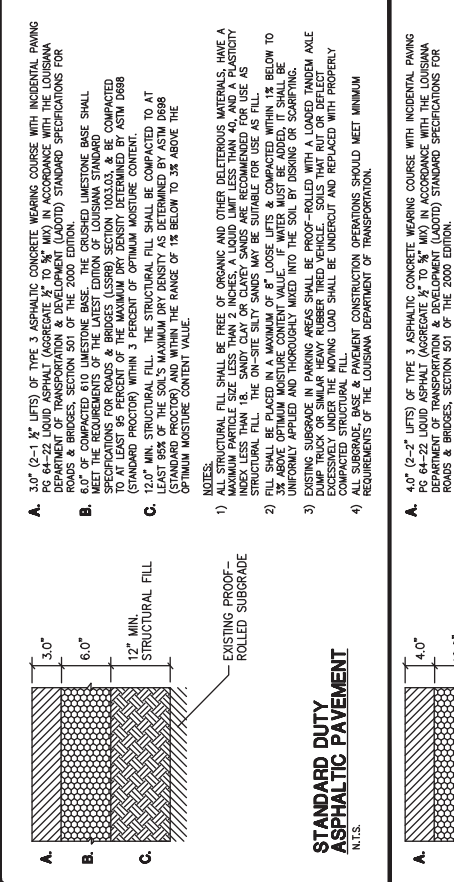
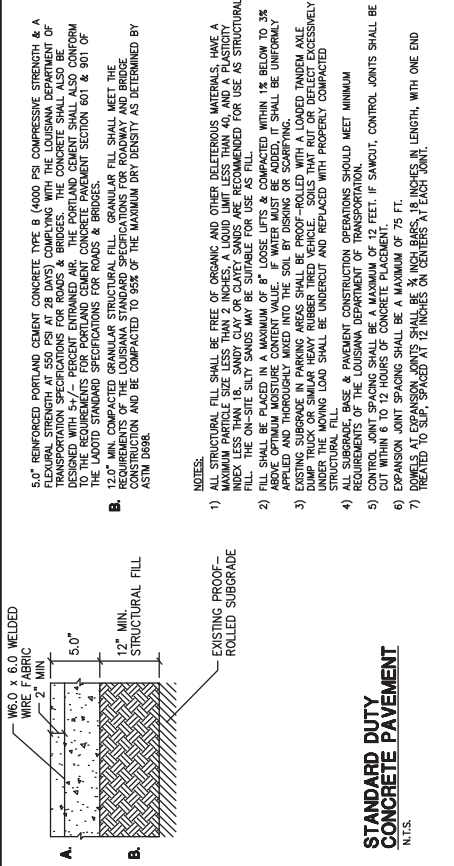
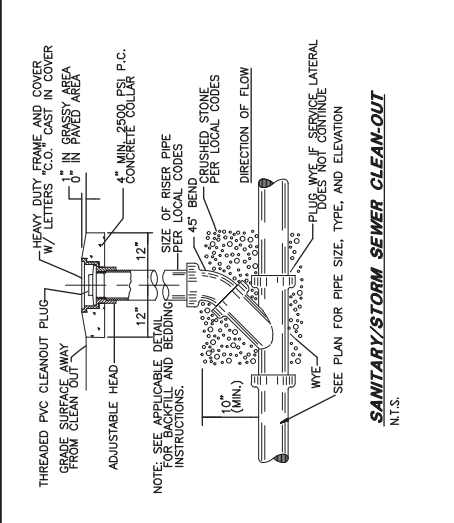
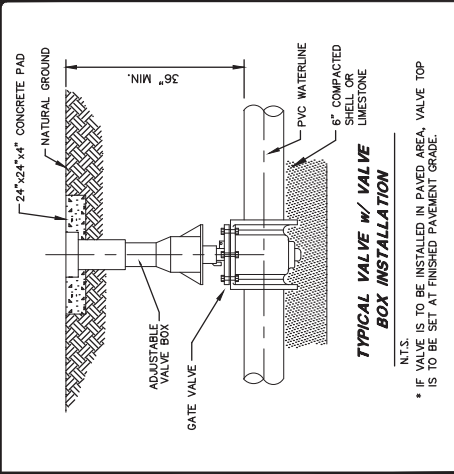
REVISION	BY
7-24-14	SMT
ADDENDUM 1	

**BDG**  
**DUPONTANTS DESIGN GROUP, PC**  
 CIVIL ENGINEERING • ARCHITECTURE  
 24 LOUIS PRIMA DRIVE COVINGTON, LA 70433  
 WWW.BDGP.COM Phone 984-6890 Fax 984-6890  
 THIBODAX | COVINGTON | HOUSTON | BATON ROUGE | HOUMA

PROGRESS SET - FOR REVIEW ONLY  
 Issued 07/24/14  
 These documents are for Design Review and not intended for Construction, Bidding, Recommendation, Convenience or for use as the basis for the supervision of construction.  
 Dupontants Design Group, PC  
 Douglas E. Bertolotto, P.E. #34541

**SPRINGS AT FREMAUX TOWN CENTER**  
**ST. TAMMANY PARISH**  
**FOR CONTINENTAL 294 FUND LLC**  
 MEMMONEE FALLS, WI

DRAWN	DEB
CHECKED	DEB
ISSUED DATE	7/24/14
ISSUED FOR	PERMITTING
PROJECT NO.	14-248
FILE	14-248 DETAILS
SHEET	D-1



# DETAIL SHEET