

PHILLIPS

Phone 770.394.1616 Fax 770.394.1314

CONSULTANT

SEAL

ISSUE & REVISION RECORD

#	DATE	DESCRIPTION
	07/07/14	BID SET

This document is © Phillips Partnership, PC and is considered an instrument of service and is solely for use with respect to the project as indicated herein. All rights reserved. This document may not be reproduced without the prior written consent of Phillips Partnership, PC.

PROJECT

**SPRINGS AT
FREMAUX
TOWN CENTER**
SLIDELL, LA

CLIENT

CONTINENTAL PROPERTIES
CONTINENTAL 294 FUND LLC
W134 N8875 EXECUTIVE PARKWAY
MENOMONEE FALLS, WI 53051
262.502.5500 * FAX 262.502.5522

PHILLIPS JOB NUMBER

1333104

ISSUE DATE

07/07/14

DRAWN BY/CHECKED BY

ATL/DEB

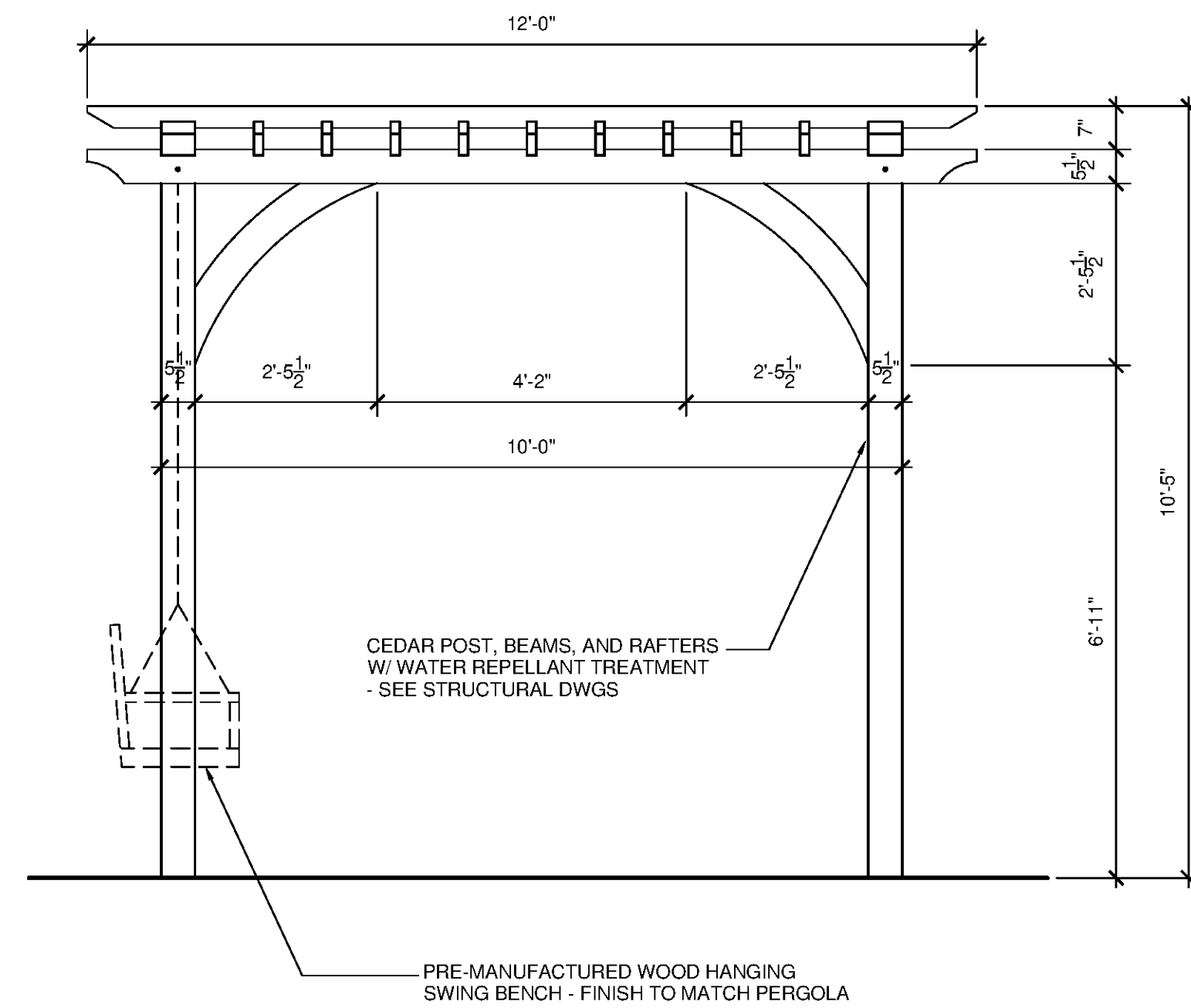
DRAWING TITLE

**PERGOLA
PLANS, ELEVATIONS,
AND SECTIONS**

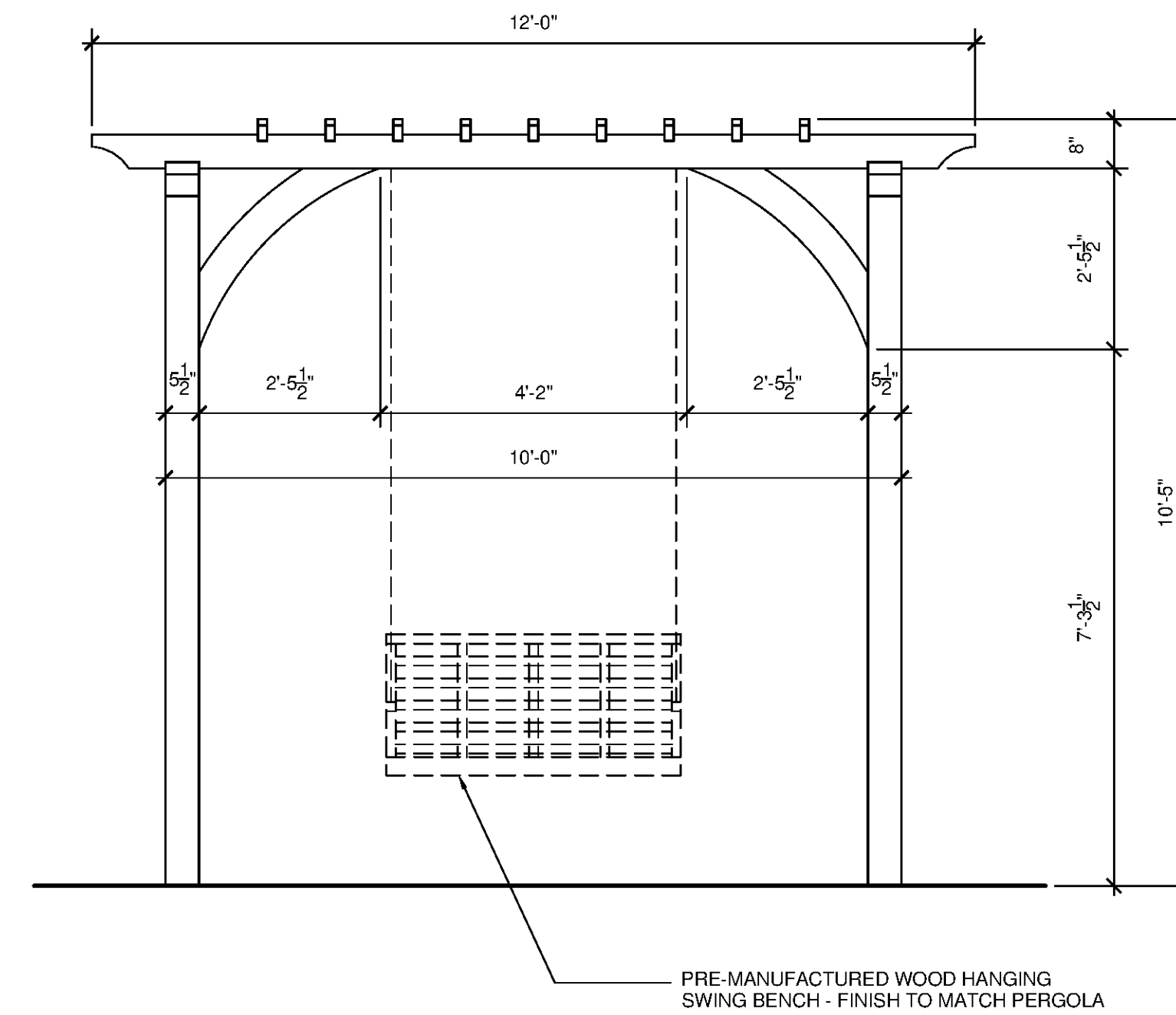
SHEET NUMBER

A1.P.11

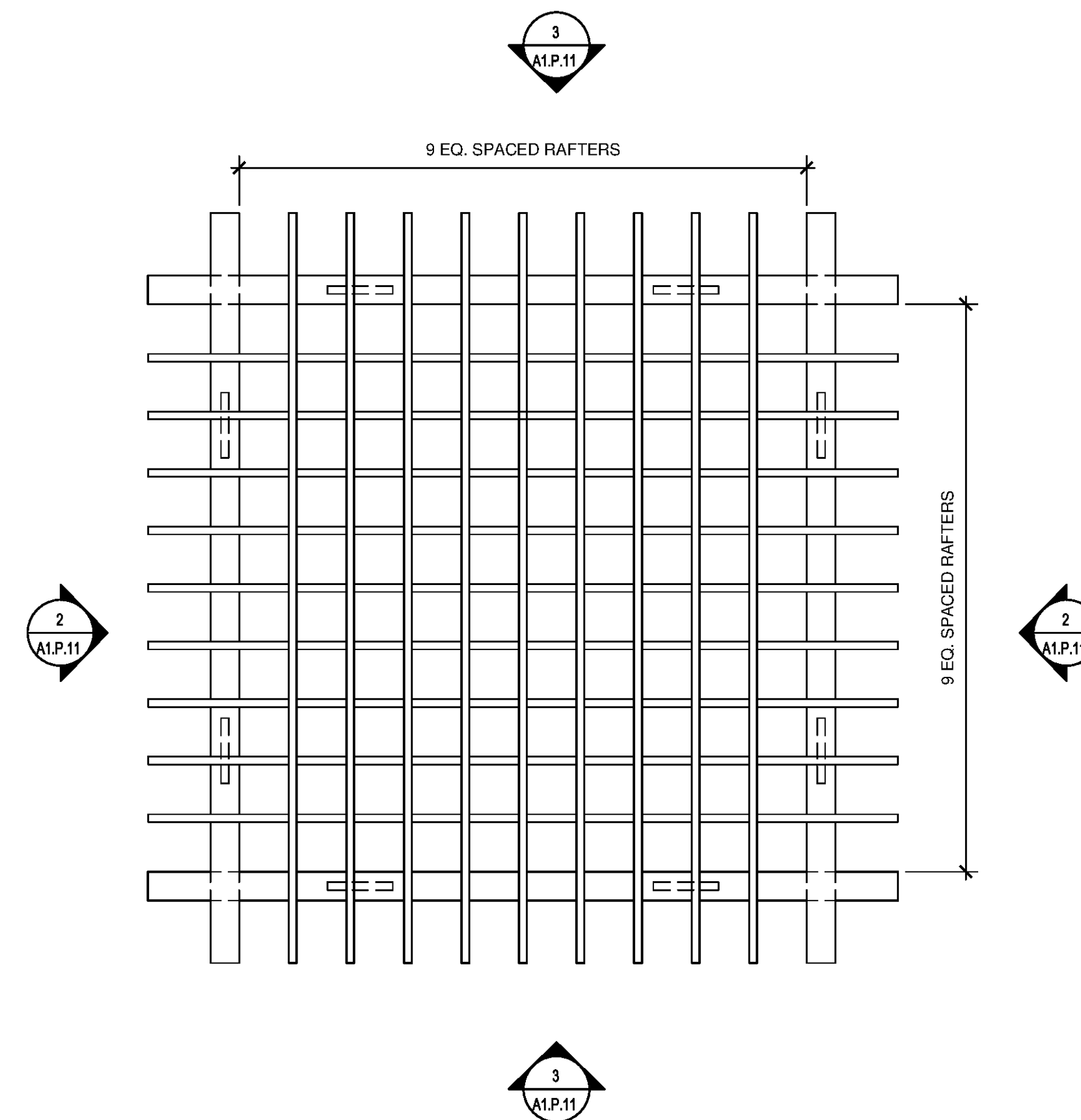
NORTH TERRACES
400 PERIMETER CENTER TERRACE
SUITE 600
ATLANTA, GEORGIA 30346



3 PERGOLA ELEVATION
SCALE: 1/2"=1'-0"



2 PERGOLA ELEVATION
SCALE: 1/2"=1'-0"



1 PERGOLA PLAN
SCALE: 1/2"=1'-0"