

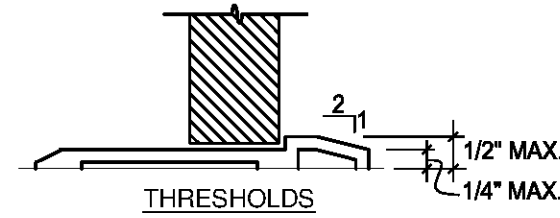
## 1 DOORS & ACCESSIBLE ROUTES

A. LATCHES AND LOCKSETS: PROVIDE LEVER TYPE, PUSH-PULL OR PANIC TYPE HARDWARE 34 INCHES TO 48 INCHES ABOVE FLOOR.

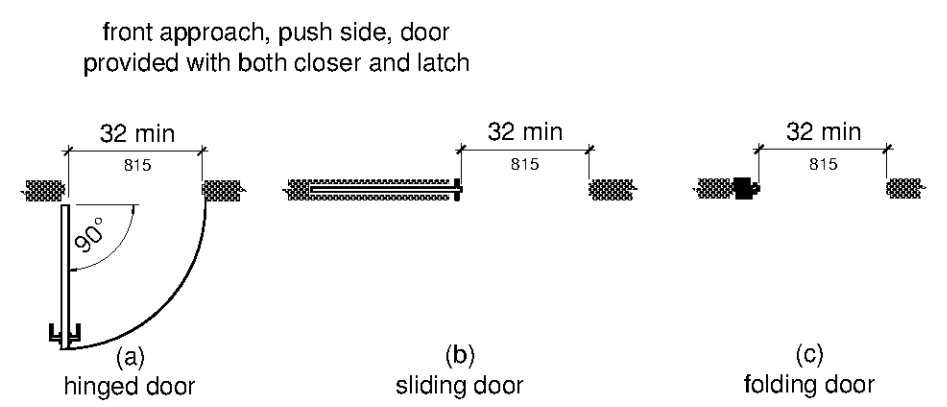
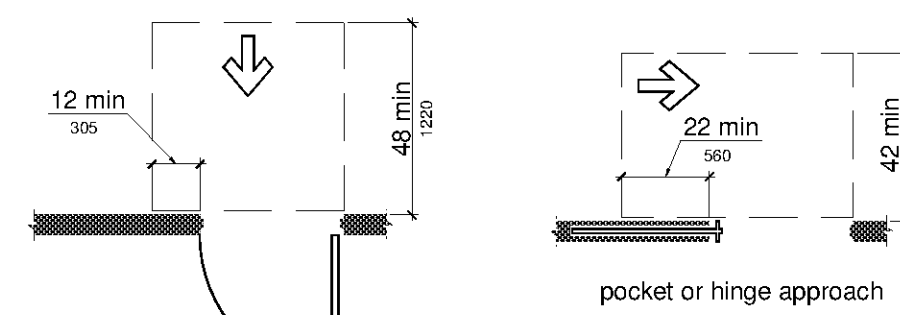
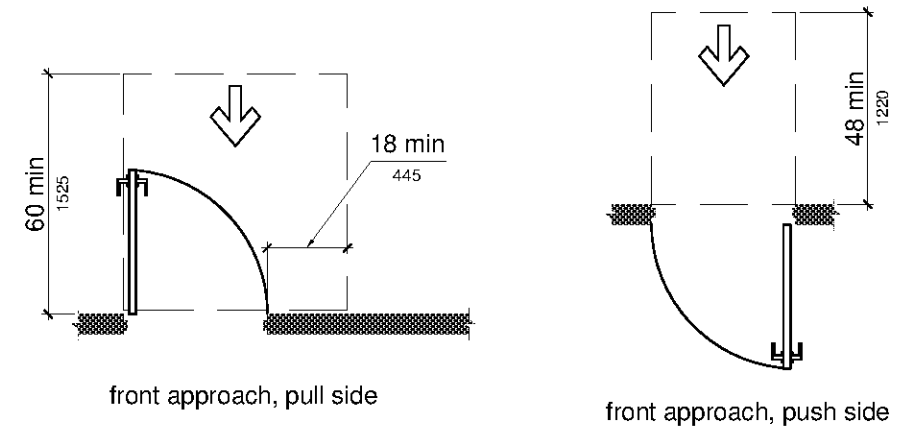
B. ADJUSTABLE CLOSURE PROVIDED WITH MAXIMUM PRESSURE FOR OPENING DOORS AS FOLLOWS:  
 INTERIOR DOORS - 5 POUNDS PRESSURE  
 EXTERIOR DOORS - 8.5 POUNDS PRESSURE  
 FIRE DOORS - PER ADMINISTRATIVE AUTHORITY  
 DOOR CLOSURES TO BE ADJUSTED TO CLOSE FROM AN OPEN POSITION OF 90 DEG IN NOT LESS THAN 5 SECONDS TO A POINT 12" FROM LATCH. ADJUST CLOSURES AFTER INSTALLATION AND TEST DOOR COMPLIANCE.

C. FLOOR LEVEL AT DOORS

1. THRESHOLDS: THE FLOOR OR LANDING SHALL NOT BE MORE THAN 1/2 INCH LOWER THAN THE THRESHOLD OF THE DOOR WAY. CHANGE IN LEVEL BETWEEN 1/4 INCH AND 1/2 INCH SHALL BE BEVELED WITH A SLOPE NO GREATER THAN 1:2. (SEE BELOW).

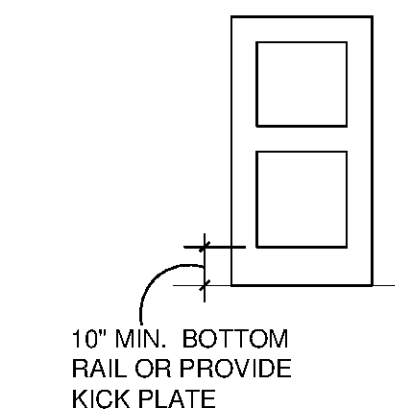


2. LEVEL FLOOR OR LANDING: THERE SHALL BE A LEVEL AND CLEAR AREA ON EACH SIDE OF AN EXIT DOOR. THE LEVEL AREAS SHALL BE AS SHOWN BELOW. THE SPACE BETWEEN TWO CONSECUTIVE DOOR OPENING (VESTIBULE) SHALL PROVIDE 48 INCHES OF CLEAR SPACE FROM ANY DOOR OPENING INTO SUCH SPACE (SEE BELOW).

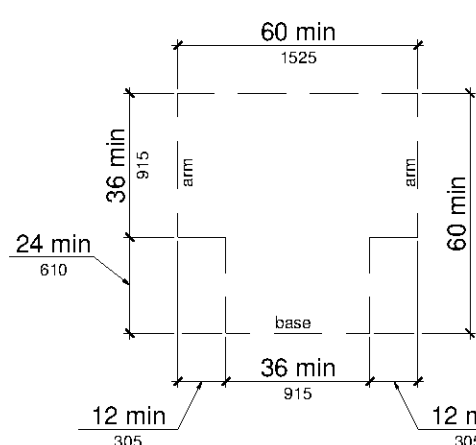


D. DOOR WIDTH & HEIGHT: 3 FEET WIDE AND 6 FEET 8 INCHES HIGH. CLEAR WIDTH: 32 INCHES MINIMUM WITH DOOR OPEN 90 DEG. MEASURED FROM THE FACE OF THE DOOR TO THE OPPOSITE STOP.

E. THE BOTTOM 10 INCHES OF ALL DOORS EXCEPT AUTOMATIC AND SLIDING SHALL HAVE A SMOOTH UNINTERRUPTED SURFACE TO ALLOW THE DOOR TO BE OPENED BY A WHEELCHAIR FOOTREST WITHOUT CREATING A TRAP OR HAZARDOUS CONDITION.

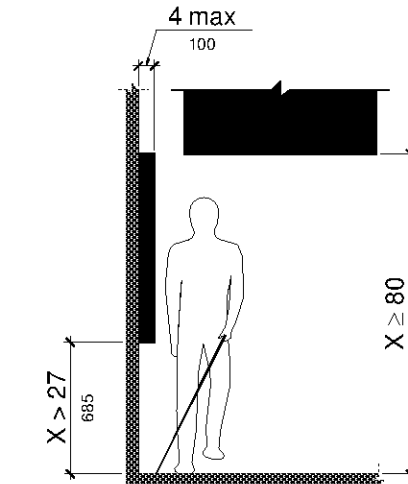


F. CARPET TILE SHALL BE SECURELY ATTACHED AND SHALL BE A MAXIMUM 1/2" IN HEIGHT. EXPOSED EDGES OF CARPET SHALL BE FASTENED TO THE FLOOR AND SHALL HAVE TRIM ALONG THE ENTIRE LENGTH OF EXPOSED EDGE.



T-SHAPED TURNING SPACE

G. OBJECTS WITH LEADING EDGES MORE THAN 27 INCHES AND NOT MORE THAN 80" ABOVE THE FINISH FLOOR OR GROUND SHALL PROTRUDE 4" MAX. HORIZONTALLY INTO THE CIRCULATION PATH.



## 2 RAMPS

A. ANY PATH OF TRAVEL SHALL BE CONSIDERED A RAMP IF ITS SLOPE IS GREATER THAN 1:20 (1:12 MAXIMUM)

B. 1:12 SLOPED RAMPS WITH LENGTH GREATER THAN 72" SHALL HAVE HANDRAILS ON BOTH SIDES.

C. THE TOP LANDINGS ON A RAMP MUST BE AT LEAST 60 INCHES IN DEPTH.

D. IF A DOOR SWINGS ONTO A TOP LANDING, THE MIN. LANDING DIMENSION SHALL BE NOT LESS THAN 42 INCHES CLEAR PLUS THE WIDTH OF THE DOOR.

E. THE TOP LANDING SHALL HAVE A WIDTH NOT LESS THAN ITS DEPTH.

F. THE TOP LANDING SHALL EXTEND NOT LESS THAN 24 INCHES BEYOND THE STRIKE SIDE OF THE DOOR AT EXTERIOR RAMPS AND 18 INCHES AT INTERIOR RAMPS.

G. THE BOTTOM LANDING SHALL BE NOT LESS THAN 60 INCHES DEEP

H. INTERMEDIATE LANDINGS SHALL BE PROVIDED AT TURNS AND WHENEVER THE CHANGE IN LEVEL EXCEEDS 30 INCHES.

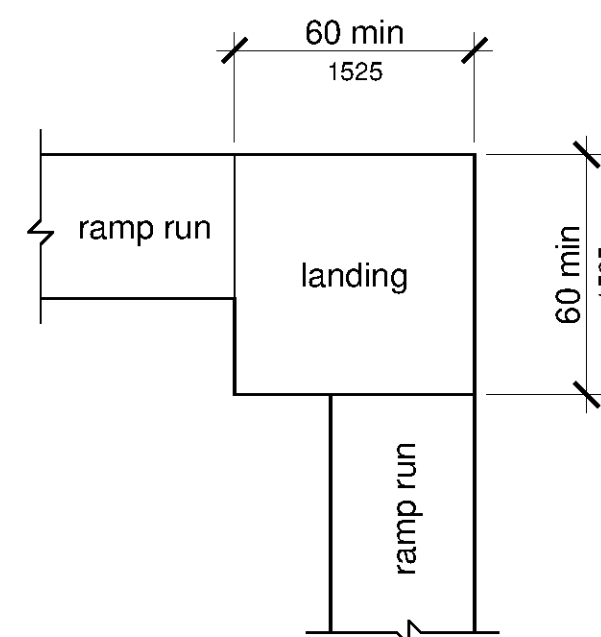
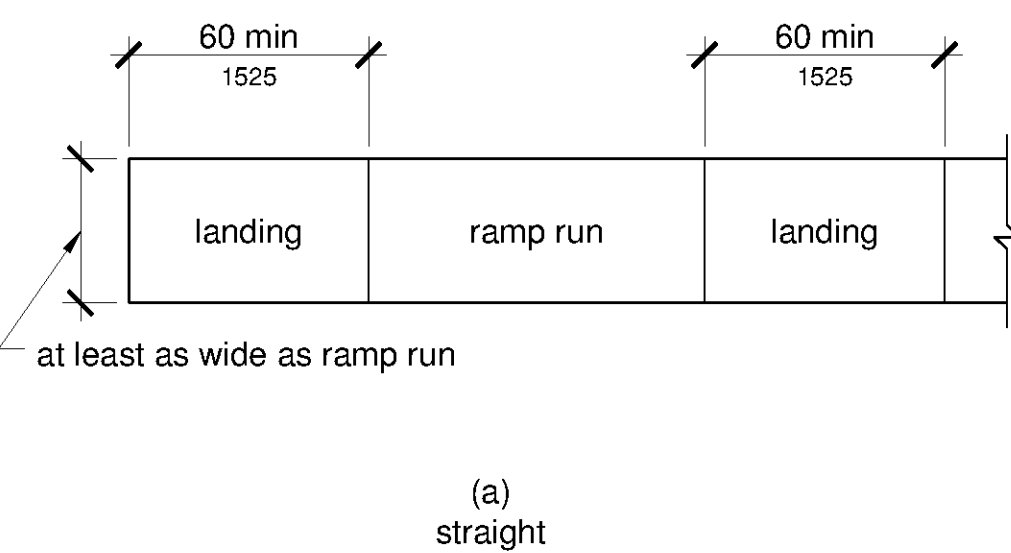
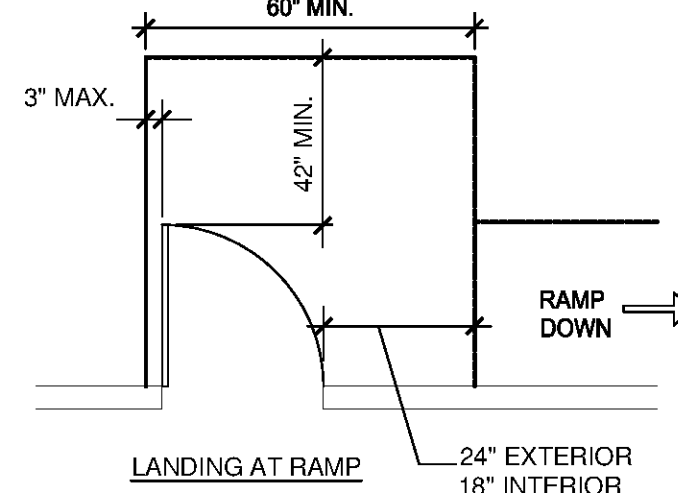
I. INTERMEDIATE LANDINGS ON RAMPS SHALL HAVE A DEPTH OF NOT LESS THAN 60". WHERE A CHANGE IN RAMP DIRECTION OCCURS, A MINIMUM 60" BY 60" LANDING SHALL BE PROVIDED.

J. RAMPS SHALL BE NOT LESS THAN 36" WIDE CLEAR BETWEEN HANDRAILS.

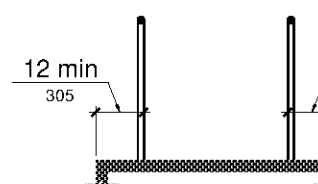
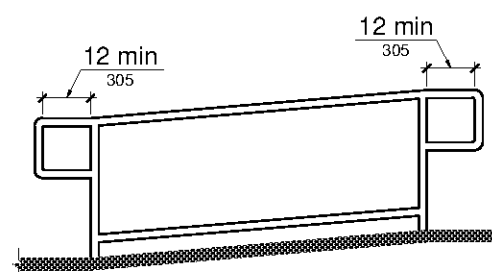
K. HANDRAILS SHALL BE PLACED ON EACH SIDE OF EACH RAMP AND SHALL BE CONTINUOUS THE FULL LENGTH OF THE RAMP. HANDRAILS SHALL BE 34 TO 38 INCHES ABOVE THE RAMP SURFACE AND EXTEND A MINIMUM OF 1 FOOT BEYOND THE TOP AND BOTTOM OF THE RAMP.

L. SURFACES OF RAMPS SHALL BE SLIP-RESISTANT.

M. RAMPS & LANDINGS WITH DROP OFFS SHALL HAVE CURBS, WALLS, RAILING OR PROJECTING SURFACES THAT PREVENT PEOPLE FROM SLIPPING OFF THE RAMP. CURB SHALL BE A MIN. 2" IN HEIGHT. MAXIMUM ELEVATION CHANGE BETWEEN LANDINGS IS 30".



(b) change in direction



## 3 ELECTRICAL

A. ELECTRICAL RECEPTACLES (15, 20 AND 30 AMPS) SHALL BE AT LEAST 15 INCHES ABOVE THE FLOOR.

B. SWITCHES AND CONTROLS FOR LIGHTS, APPLIANCES, COOLING, HEATING AND VENTILATING EQUIPMENT SHALL BE NOT LESS THAN 3 FEET NOR MORE THAN 4 FEET ABOVE THE FLOOR.

C. FIRE ALARM INITIATING DEVICES SHALL BE 48 INCHES MAX ABOVE THE FLOOR, GROUND OR SIDEWALK.

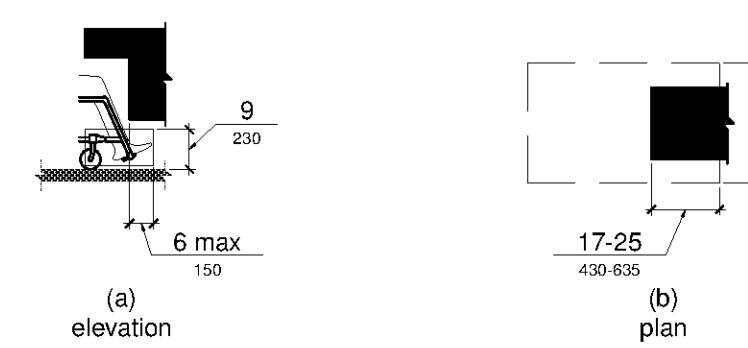
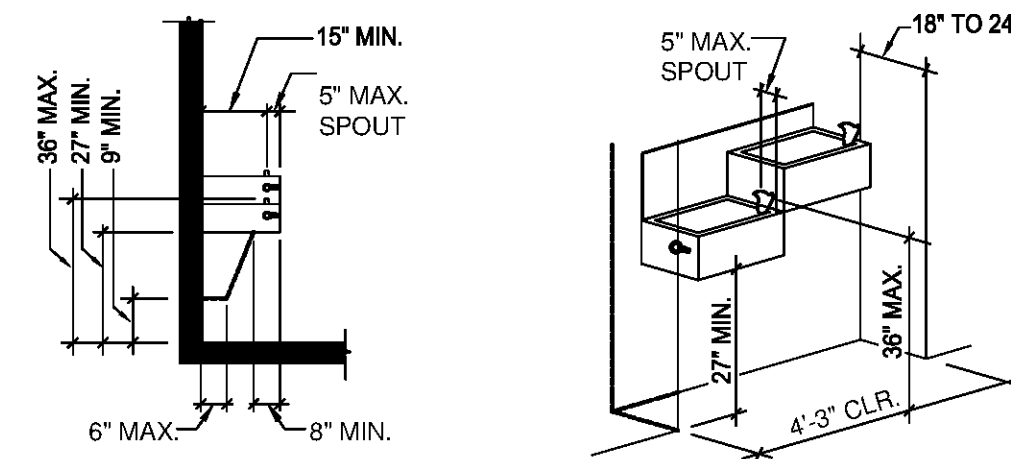
## 4 DRINKING FOUNTAINS

A. PROVIDE HI-LOW DRINKING FOUNTAIN, 17 INCHES TO 19 INCHES IN DEPTH WITH CLEAR KNEE SPACE BETWEEN BOTTOM OF APRON AND FLOOR NOT LESS THAN 27 INCHES HIGH, 30 INCHES WIDE AND PROJECTING 8 INCHES UNDER FRONT EDGE OF FOUNTAIN.

B. SPOUT OUTLET FOR LOWER FOUNTAIN TO BE 36 INCHES MAXIMUM ABOVE FLOOR. SPOUT OUTLET FOR UPPER FOUNTAIN TO BE BETWEEN 38 INCHES AND 43 INCHES ABOVE FLOOR.

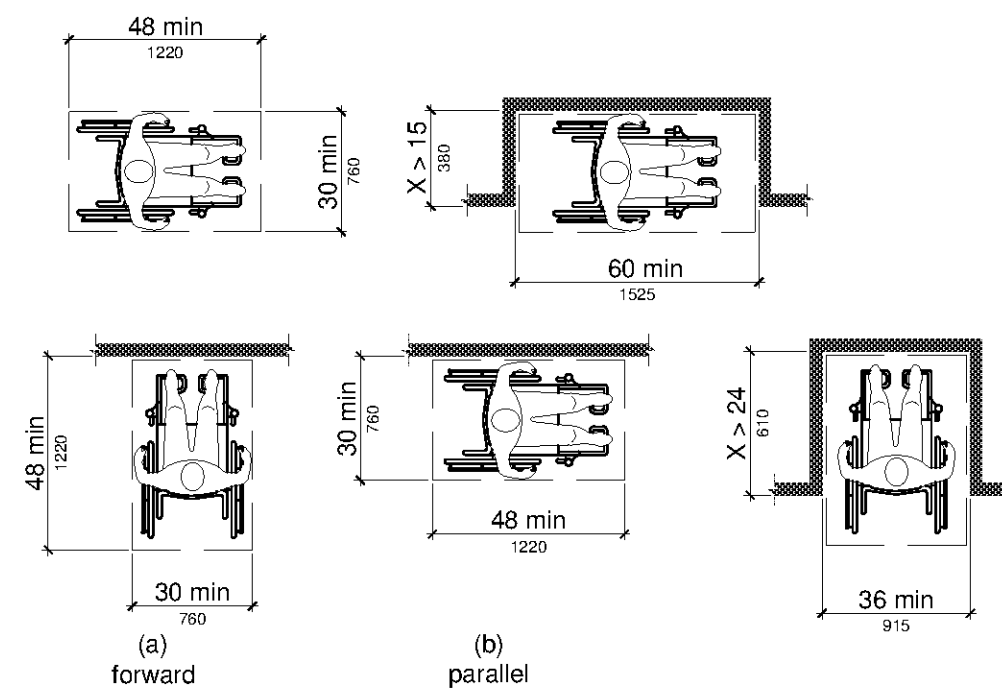
C. BUBBLER TO BE ACTIVATED BY A HAND OPERATED LEVER LOCATED WITHIN 6 INCHES OF THE FRONT OF THE FOUNTAIN OR BY A PUSH BAR ALONG THE FRONT OF THE FOUNTAIN.

D. BUBBLER TO PROVIDE A FLOW OF WATER 4 INCHES HIGH AND BE LOCATED 5 INCHES MAXIMUM FROM FRONT OF UNIT.



DRINKING FOUNTAINS

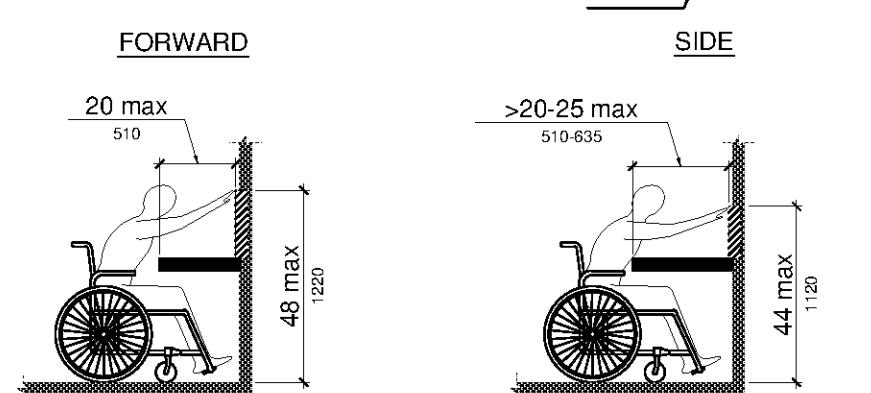
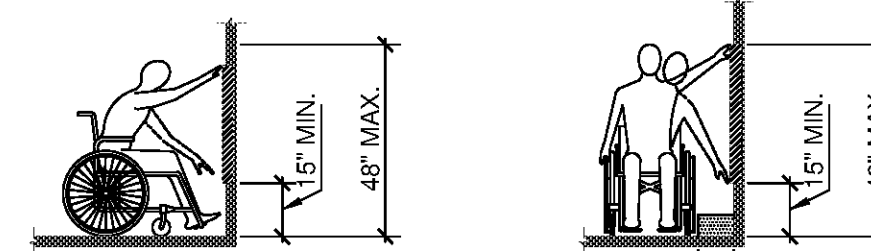
## 5 CLEAR FLOOR SPACE



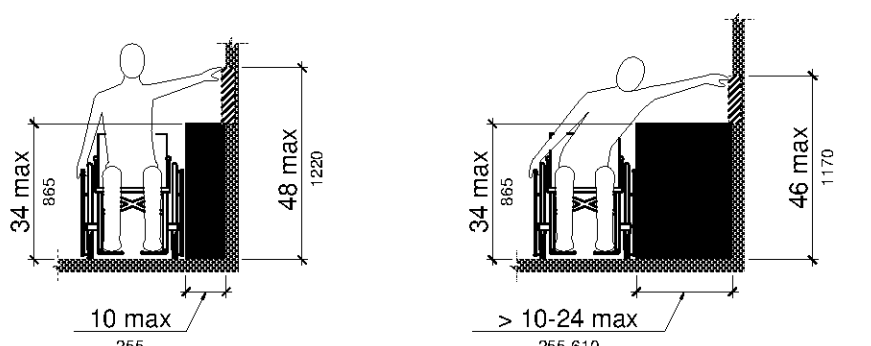
## 6 REACH RANGES

A. FORWARD REACH

1. WHERE A FORWARD REACH IS UNOBSTRUCTED, THE HIGH FORWARD REACH SHALL BE 48 INCHES MAX. AND THE LOW FORWARD REACH SHALL BE 15 INCHES MIN. ABOVE THE FLOOR.  
 2. WHERE A PARALLEL APPROACH TO AN ELEMENT AND THE SIDE REACH IS UNOBSTRUCTED, THE HIGH SIDE REACH SHALL BE 48 INCHES MAX. AND THE LOW SIDE REACH SHALL BE 15 INCHES MIN. ABOVE THE FLOOR.  
 3. WHERE A HIGH FORWARD REACH IS OVER AN OBSTRUCTION, THE CLEAR FLOOR SPACE SHALL EXTEND BENEATH THE ELEMENT FOR A DISTANCE NOT LESS THAN THE REQUIRED REACH DEPTH OVER THE OBSTRUCTION. THE HIGH FORWARD REACH SHALL BE 48 INCHES MAX. WHERE REACH DEPTH EXCEEDS 20 INCHES, THE HIGH FORWARD REACH SHALL BE 44 INCHES MAX. AND THE REACH DEPTH SHALL BE 25 INCHES MAX.



OBSTRUCTED HIGH FORWARD REACH



OBSTRUCTED HIGH SIDE REACH

## 7 SANITARY FACILITIES

A. GEOMETRICAL SYMBOLS

1. RAISED LETTERS SHALL BE PROVIDED IN CONFORMANCE TO ADA SECTION 703.2 AND ACCOMPANIED BY GRADE II BRAILLE PER ADA 703.5 AND SHALL BE INSTALLED ON THE WALL ADJACENT TO THE LATCH OUTSIDE OF THE DOOR. WHERE THERE IS NO WALL SPACE ON THE LATCH SIDE, INCLUDING AT DOUBLE LEAF DOORS, SIGNS SHALL BE PLACED ON THE NEAREST ADJACENT WALL. PREFERABLY ON THE RIGHT. MOUNTING HEIGHT SHALL BE SUCH THAT BRAILLE IS BETWEEN 48" AND 60" ABOVE FINISHED SIGN. MOUNTING LOCATION SHALL BE DETERMINED SO THAT A PERSON MAY APPROACH WITHIN 3 INCHES OF SIGNAGE WITHOUT ENCOUNTERING PROTRUDING OBJECTS OR STANDING WITHIN THE SWING OF THE DOOR.

2. PICTORIAL SYMBOL SIGNS (PICTOGRAMS), PICTORIAL SYMBOL SIGNS (PICTOGRAMS) SHALL BE ACCOMPANIED BY THE EQUIVALENT VERBAL DESCRIPTION PLACED DIRECTLY BELOW THE PICTOGRAM. THE BORDER DIMENSION OF THE PICTOGRAM SHALL BE A MINIMUM OF 6 INCHES (152 MM) IN HEIGHT.

B. ACCESSIBLE COMPARTMENT DOORS SHALL BE EQUIPPED WITH AN AUTOMATIC CLOSING DEVICE. THE INSIDE AND OUTSIDE OF THE COMPARTMENT DOOR SHALL BE EQUIPPED WITH A LOOP OR U-SHAPED HANDLE IMMEDIATELY BELOW THE LATCH. THE LATCH SHALL BE FLIP-OVER STYLE, SLIDING, OR OTHER HARDWARE NOT REQUIRING THE USER TO GRASP OR TWIST.

C. WATER CLOSET: FLUSH CONTROLS ARE TO BE OPERABLE BY AN OSCILLATING HANDLE WITH A MINIMUM OPERATING FORCE OF 5 LB/F OR BY A LOW VOLTAGE BUTTON. THE HANDLE OR BUTTON IS TO BE LOCATED ON THE WIDE SIDE SO AS TO BE OPERABLE WITHOUT REQUIRING EXCESSIVE BODY MOVEMENT. FLUSH CONTROLS SHALL BE LOCATED ON THE OPEN SIDE OF THE WATER CLOSET.

D. URINALS: PROVIDE ALL WALL HUNG URINALS WITH ELONGATED RIM. FLUSH CONTROLS ARE TO BE HAND OPERATED AND ARE TO MEET THE SAME REQUIREMENTS AS THE FLUSH CONTROLS FOR THE WATER CLOSET AND ARE TO BE A MAXIMUM OF 44 INCHES ABOVE THE FLOOR. RIM ELEVATION TO BE 17 INCHES A.F.F.

E. LAVATORY: PROVIDE A CLEARANCE OF AT LEAST 27 INCHES FROM THE FLOOR TO THE BOTTOM OF THE APRON WITH KNEE CLEARANCE UNDER THE FRONT LIP EXTENDING A MINIMUM OF 30 INCHES WIDE, TO 8 INCHES MINIMUM DEPTH AT THE TOP. PROVIDE FOR THE CLEARANCE AT LEAST 30 INCHES WIDE, TO 9 INCHES ABOVE THE FLOOR AND 17 INCHES DEEP FROM THE FRONT OF THE LAVATORY. PROVIDE A CLEAR FLOOR SPACE 30 INCHES X 48 INCHES IN FRONT OF LAVATORY. THE CLEAR SPACE MAY EXTEND INTO KNEE AND TOE SPACE UNDER THE LAVATORY. INSULATE HOT WATER AND DRAIN PIPES UNDER LAVATORIES. NO SHARP OR ABRASIVE SURFACES ARE ALLOWED UNDER LAVATORIES. FAUCET CONTROLS ARE REQUIRED TO BE OPERABLE WITH ONE HAND AND CANNOT REQUIRE GRASPING, PINCHING, OR TWISTING OF THE WRIST. THE FORCE NECESSARY TO OPERATE CONTROLS IS NOT TO EXCEED 5 LB/F.

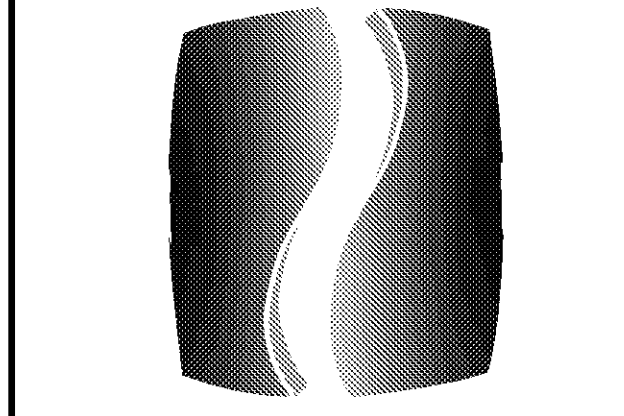
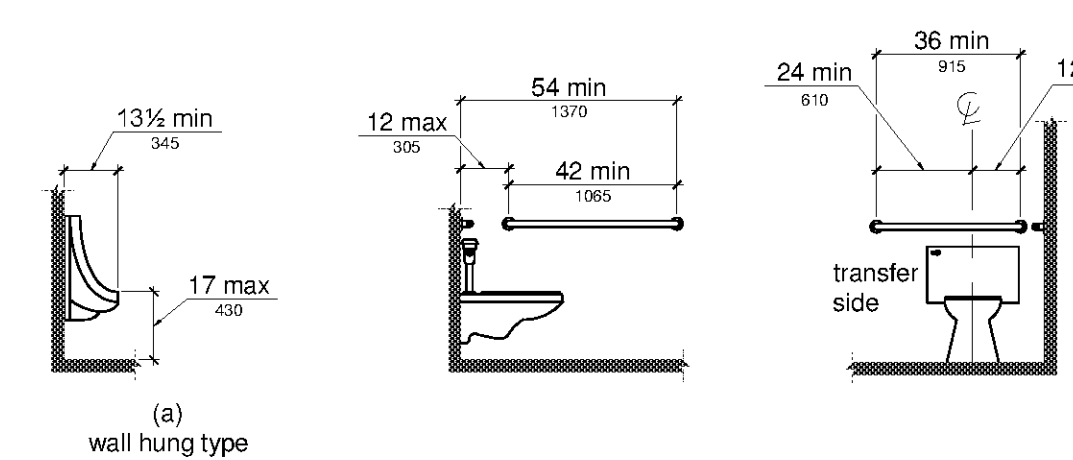
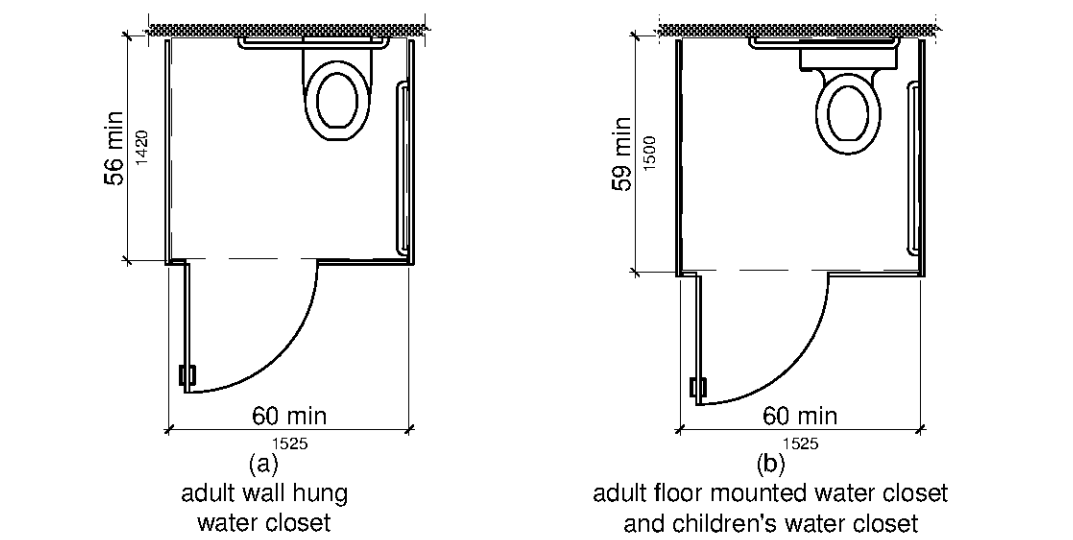
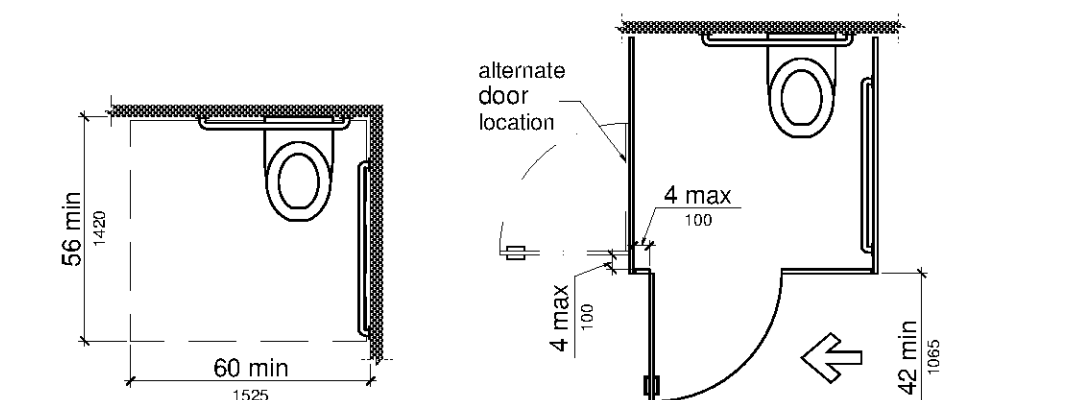
F. ACCESSORIES: WHERE TOWEL, SANITARY NAPKIN AND WASTE RECEPTACLES AND SIMILAR DISPENSING AND DISPOSAL FIXTURES ARE PROVIDED, AT LEAST ONE OF EACH TYPE IS TO BE LOCATED WITH ALL OPERABLE PARTS, INCLUDING COIN SLOTS, WITHIN 40 INCHES FROM THE FLOOR.

MOUNT MIRRORS WITH THE BOTTOM EDGE NO MORE THAN 40 INCHES FROM THE FLOOR.

LOCATE TOILET TISSUE DISPENSERS ON THE WALL WITHIN 7" MIN TO 9" MAX. FROM THE FRONT EDGE OF THE TOILET SEAT.

G. THE STRUCTURAL STRENGTH OF GRAB BARS, FASTENERS, AND MOUNTING DEVICES SHALL MEET THE SPECIFICATIONS OF THE AMERICAN DISABILITIES ACT.

H. SINGLE ACCOMMODATION: A CLEAR FLOOR SPACE OF AT LEAST 60 INCHES IN DIAMETER IS REQUIRED FOR SINGLE ACCOMMODATION TOILET ROOMS.



PHILLIPS

Phone 770.394.1616 Fax 770.394.1314

CONSULTANT

SEAL

### ISSUE & REVISION RECORD

#	DATE	DESCRIPTION
	07/07/14	BID SET

This document is the property of Phillips Partnership, PC and is intended for use only for the project and location stated. All rights reserved. This document may not be reproduced without the prior written consent of Phillips Partnership, PC.

### PROJECT

SPRINGS AT FREMAUX TOWN CENTER  
SLIDELL, LA

### CLIENT

CONTINENTAL PROPERTIES  
CONTINENTAL 294 FUND LLC  
W134 N8875 EXECUTIVE PARKWAY  
MEMONONIE FALLS, WI 53051  
282.502.5500 \* FAX 282.502.5522

PHILLIPS JOB NUMBER 1333104

ISSUE DATE 07/07/14

DRAWN BY/CHECKED BY ATL/DEB

DRAWING TITLE ACCESSIBILITY SCHEDULES

SHEET NUMBER

A6.03

NORTH TERRACES  
400 PERIMETER CENTER TERRACE  
SUITE 650  
ATLANTA, GEORGIA 30346