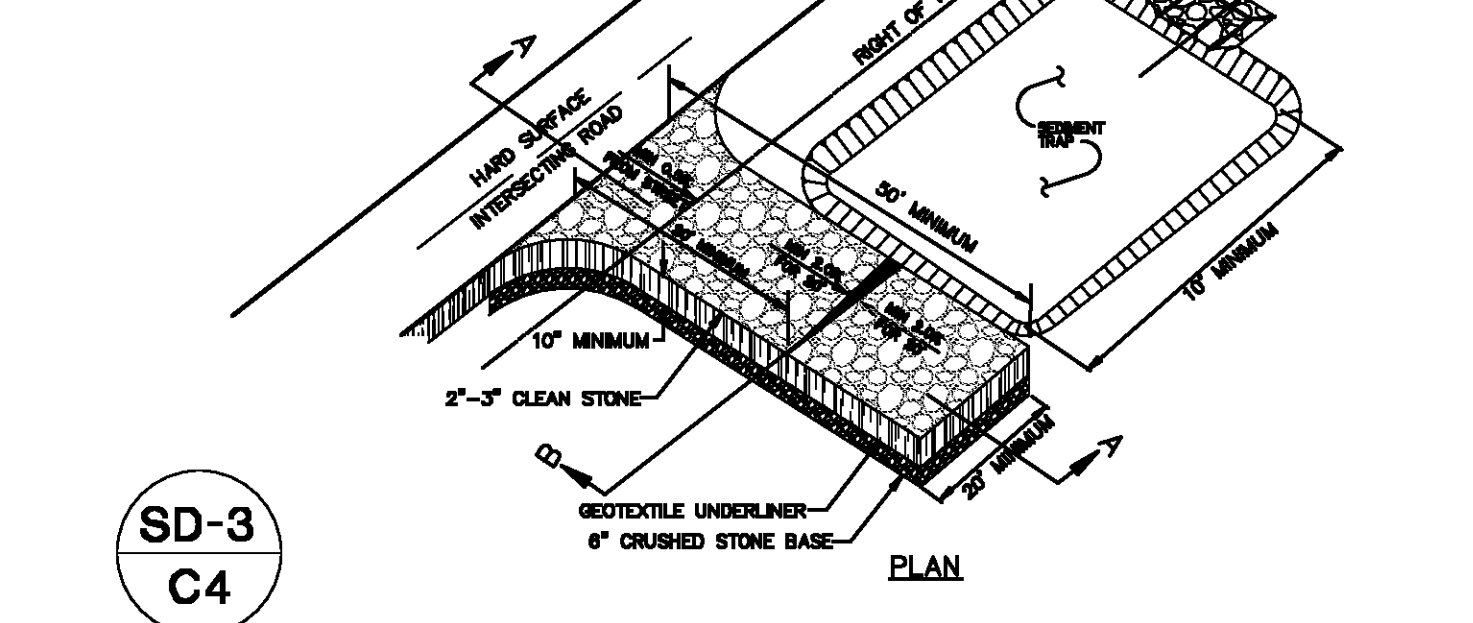
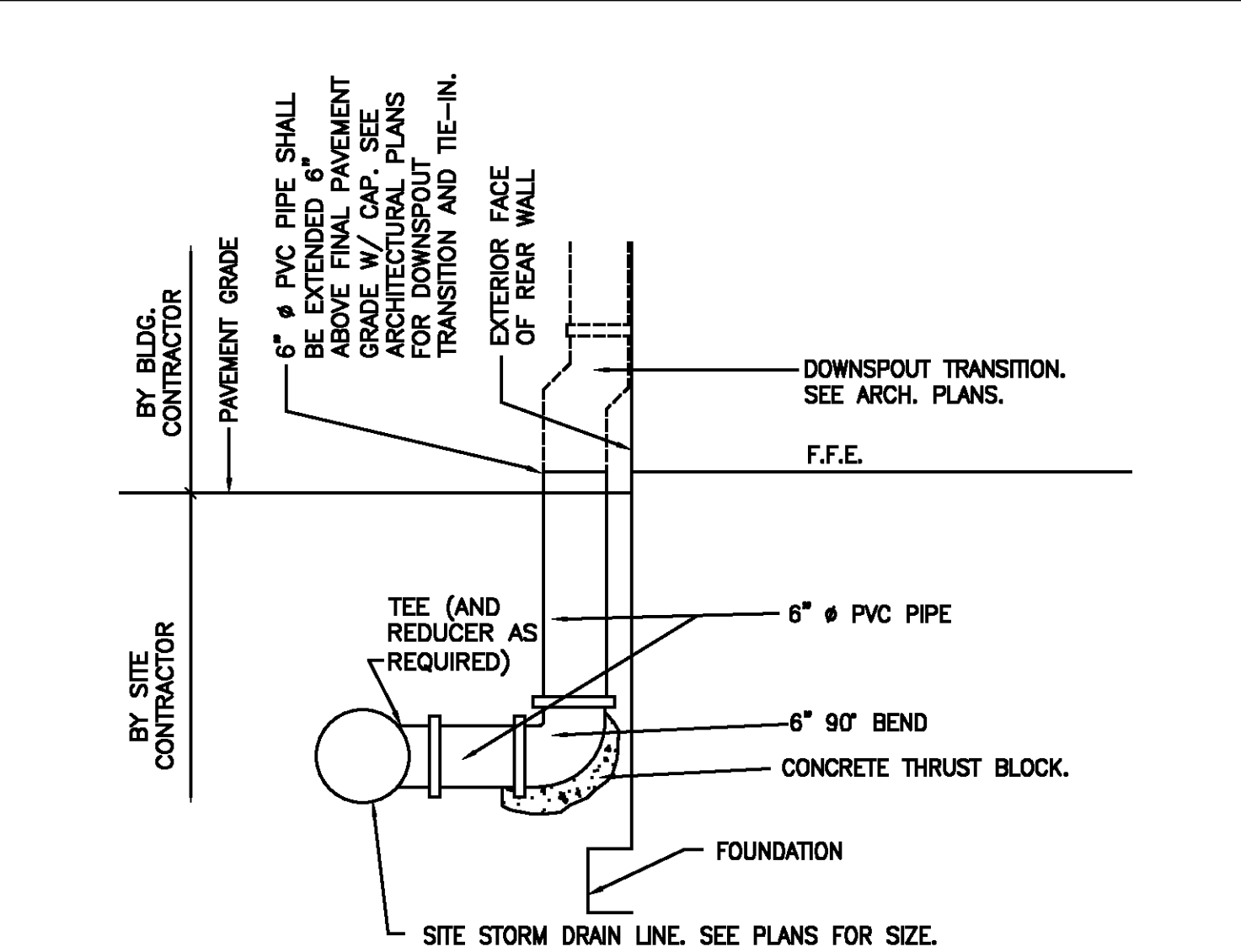


NOTES:
 PROVIDE SEDIMENT TRAP ON DOWN GRADIENT SIDE (OR BOTH SIDES) AS REQUIRED.
 FLUSH SURFACE STONE TOWARD SEDIMENT TRAP WITH HIGH VOLUME WATER FLOW AS NEEDED TO MAINTAIN CLEAN SURFACE STONE.
 PLACEMENT OF SEDIMENT TRAP SHALL BE AT LEAST THE MINIMUM DISTANCE FROM THE RIGHT OF WAY AS REQUIRED BY LOCAL JURISDICTION.

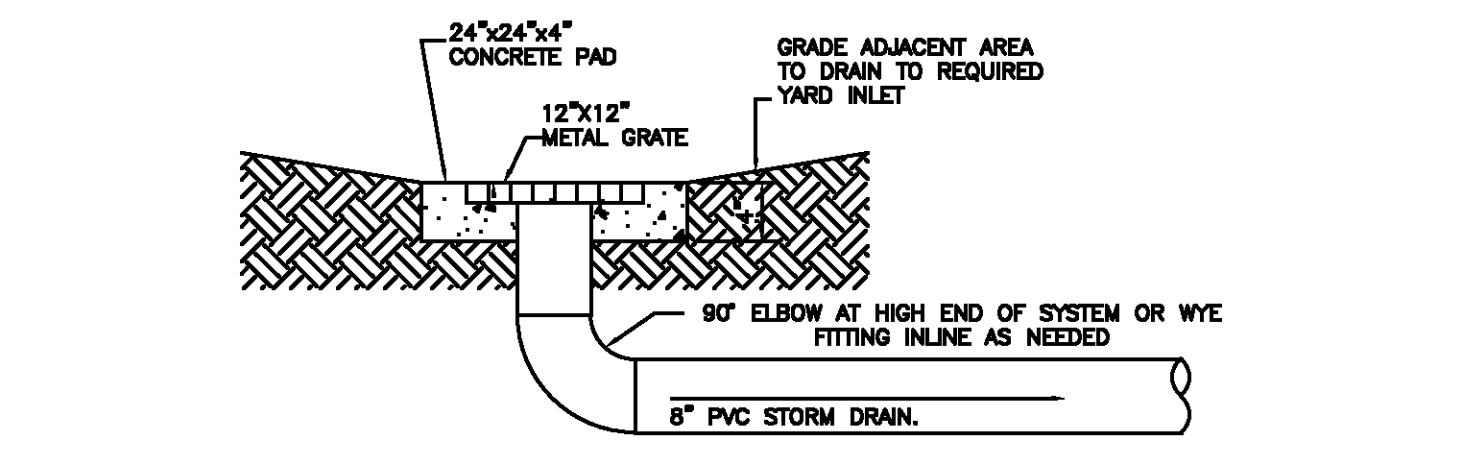


SD-3
C4

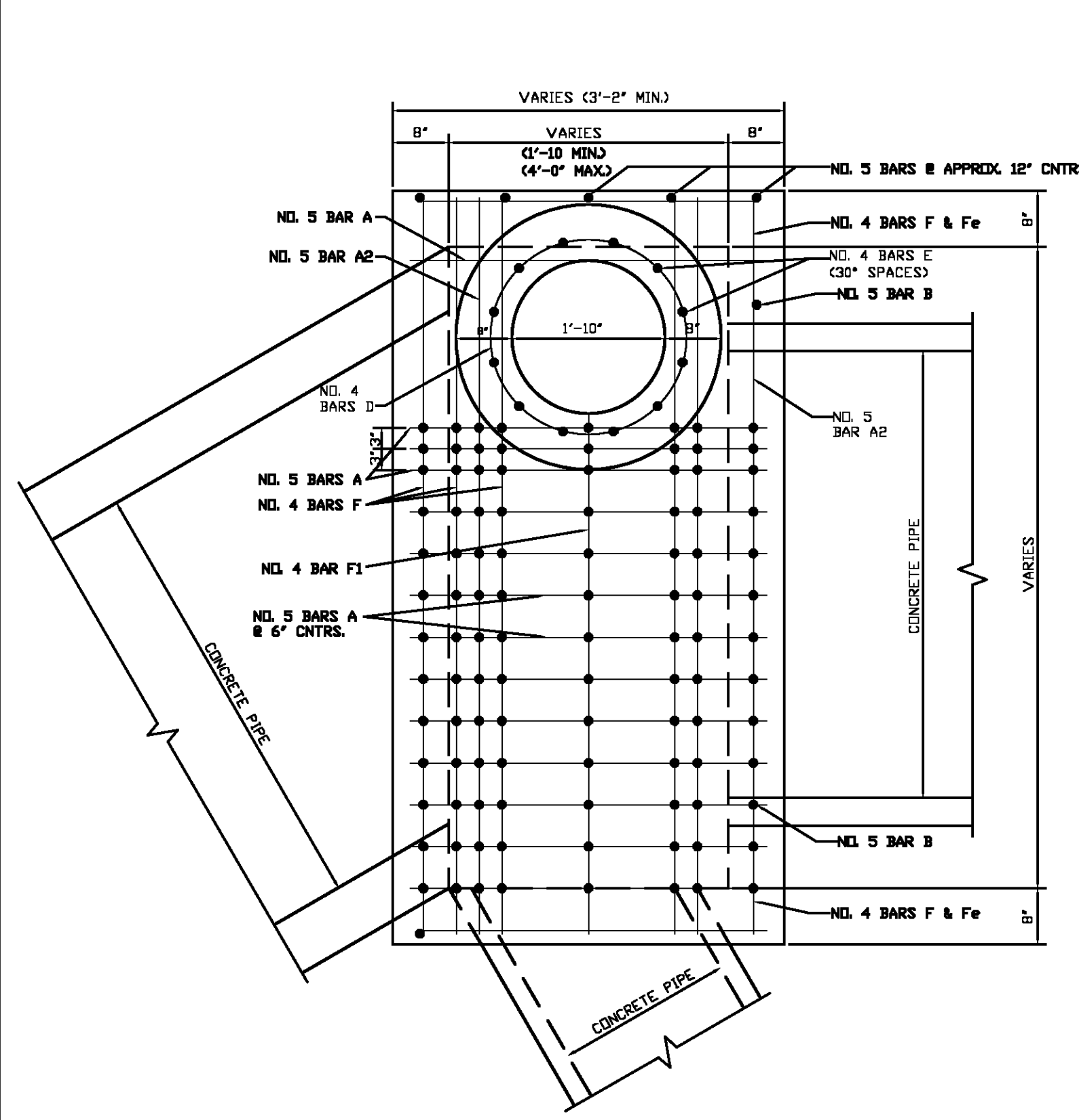
CONSTRUCTION EXIT
N.T.S.



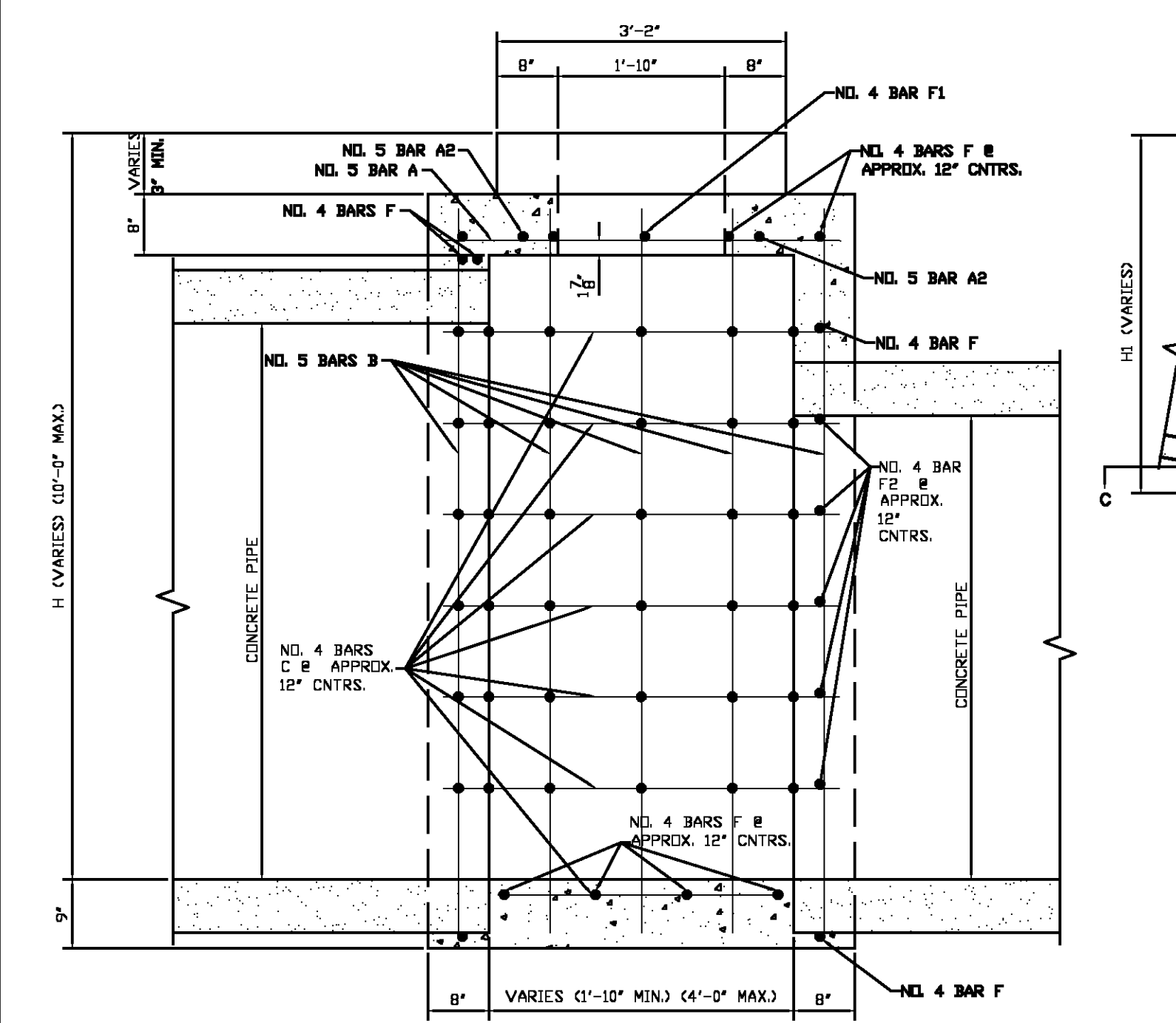
DOWNSPOUT COLLECTOR DRAIN



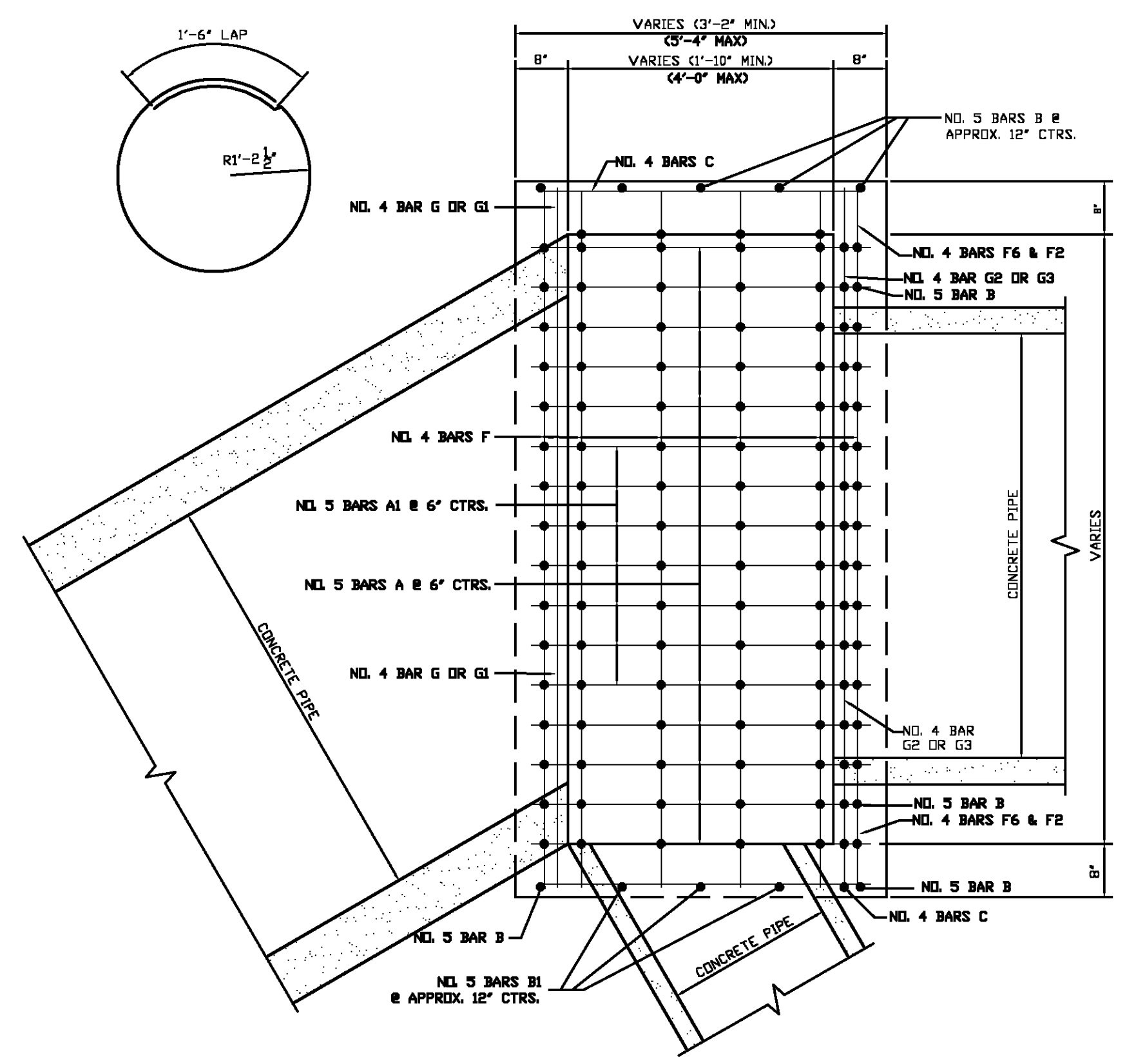
YARD INLET DETAIL
NOT TO SCALE



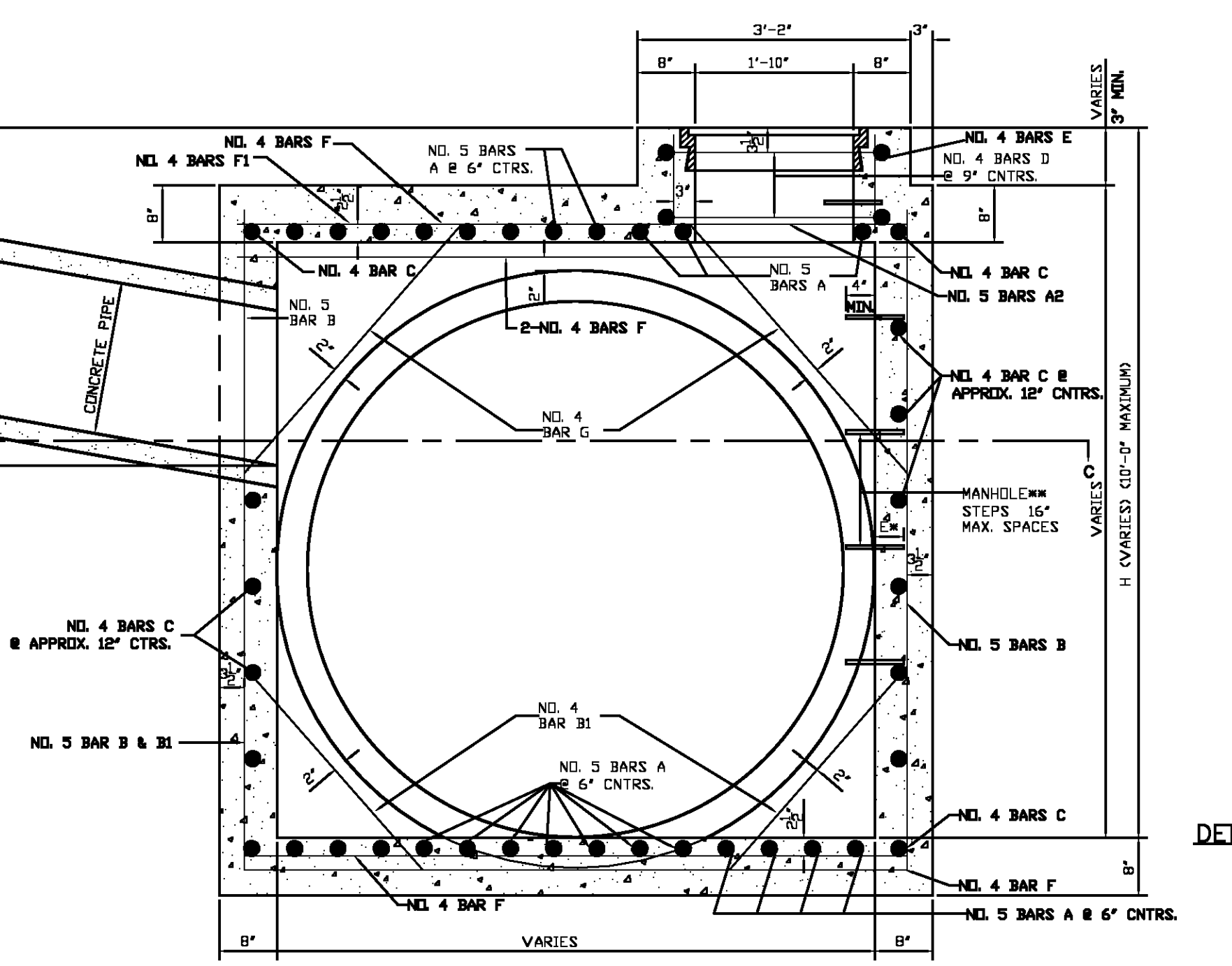
PLAN VIEW



SECTION B-B

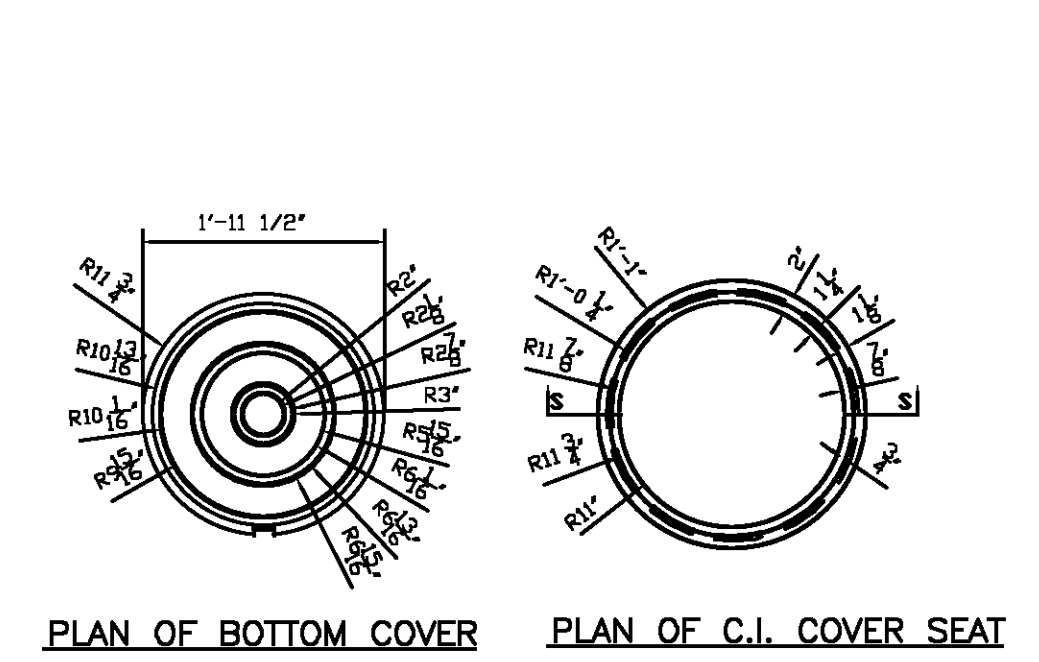


SECTION C-C

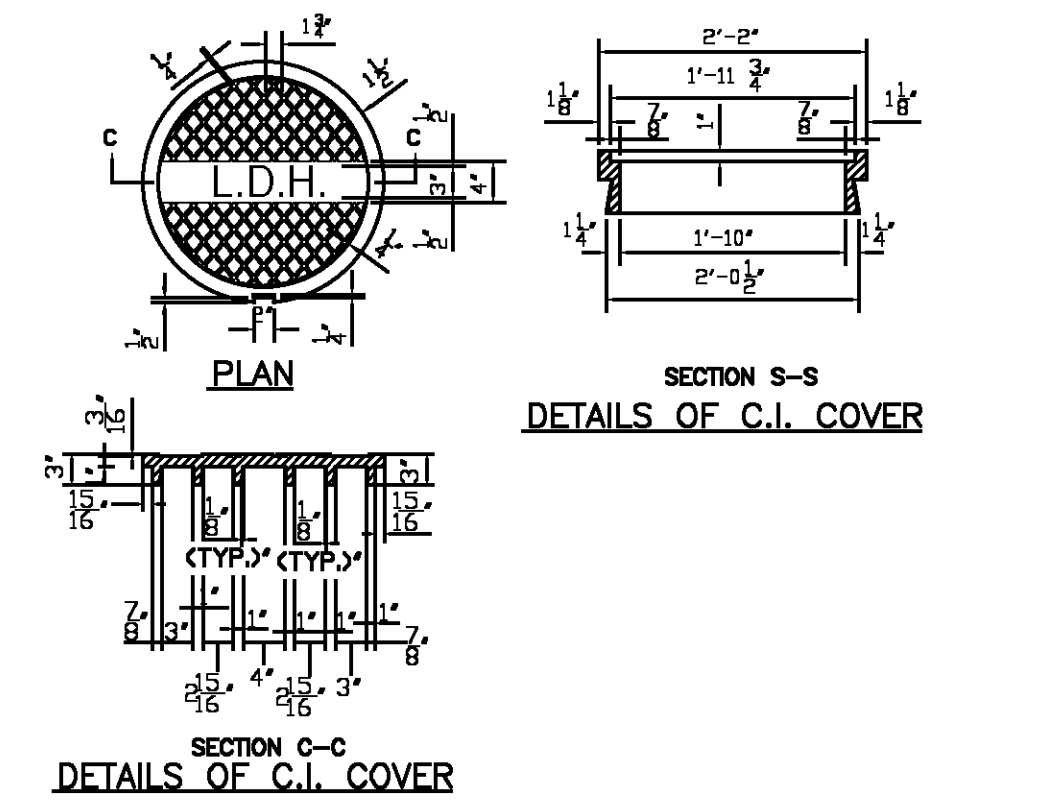


SECTION A-A

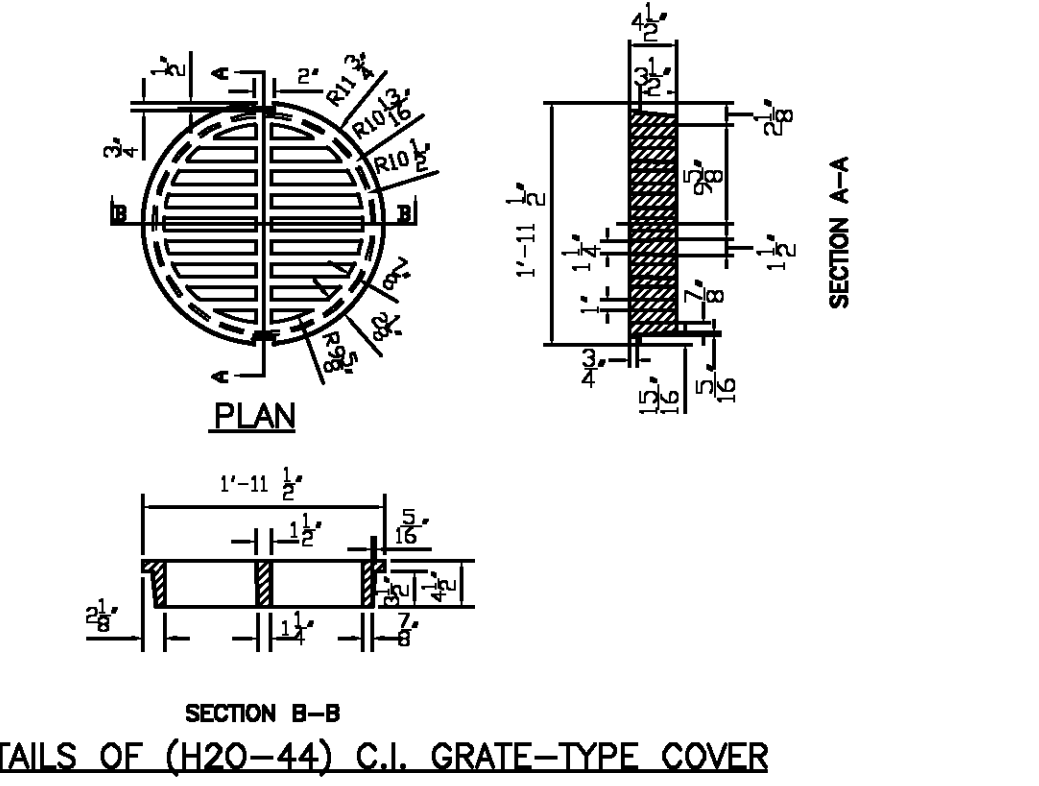
R-CB-11 MOD
N.T.S.



PLAN OF BOTTOM COVER **PLAN OF C.I. COVER SEAT**



DETAILS OF C.I. COVER



DETAILS OF (H20-44) C.I. GRATE-TYPE COVER

REVISION	BY

DDG
 DUPONTIS DESIGN GROUP, PC
 CIVIL ENGINEERING ARCHITECTURE
 34 LOUIS PRIMA DRIVE COVINGTON, LA 70433
 WWW.DDGPC.COM PHONE: 985-249-6180 FAX: 985-249-6190
 THIBODAUX | COVINGTON | HOUSTON | BATON ROUGE | LOUISIANA

PROGRESS SET - FOR REVIEW ONLY
 Issued: 07/08/14
 These documents are for Design Review and not intended for construction. Signs or on the plans for the issuance of a Permit. They were prepared by, or under the supervision of:
 Douglas E. Barillieux, P.E., #34541
 Dupontis Design Group, PC

SPRINGS AT FREMAUX TOWN CENTER
 SLIDELL, LOUISIANA
 ST. TAMMANY PARISH
 FOR CONTINENTAL 294 FUND LLC
 MEMONEE FALLS, WI

DRAWN DGS
CHECKED DEB
ISSUED DATE 6/23/14
ISSUED FOR PERMITTING
PROJECT NO. 14-248
FILE 14-248 DETAILS

SHEET
D-4

DETAIL SHEET

14-248 DETAILS.dwg