

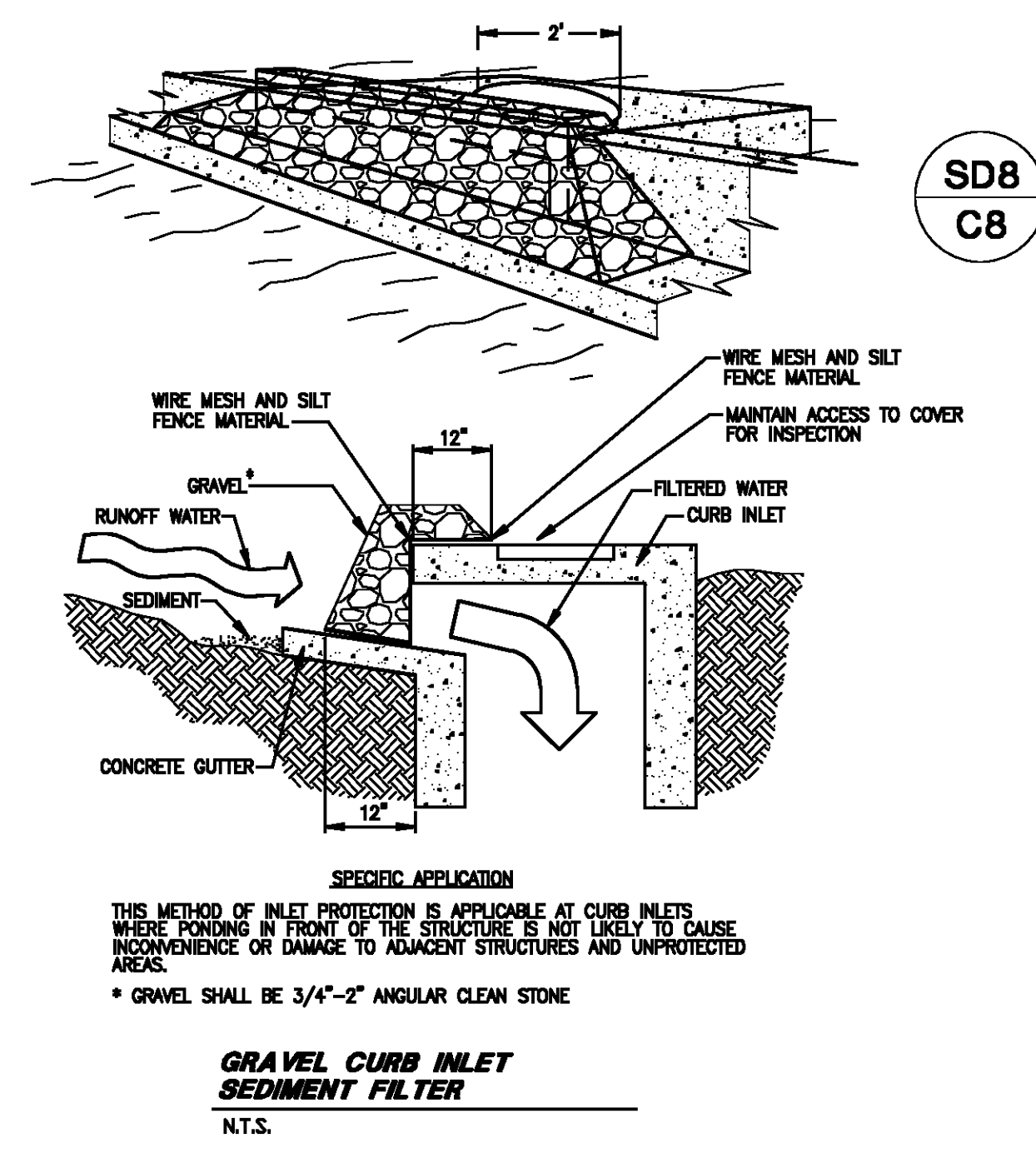
REVISION	BY

**DDG**  
**DUPONTIS DESIGN GROUP, PC**  
 CIVIL ENGINEERING ARCHITECTURE  
 34 LOUIS PRIMA DRIVE COVINGTON, LA 70433  
 WWW.DDGPC.COM PHONE: 985-249-6860 FAX: 985-249-6190  
 THIBODAUX | COVINGTON | HOUSTON | BATON ROUGE | HOUMA

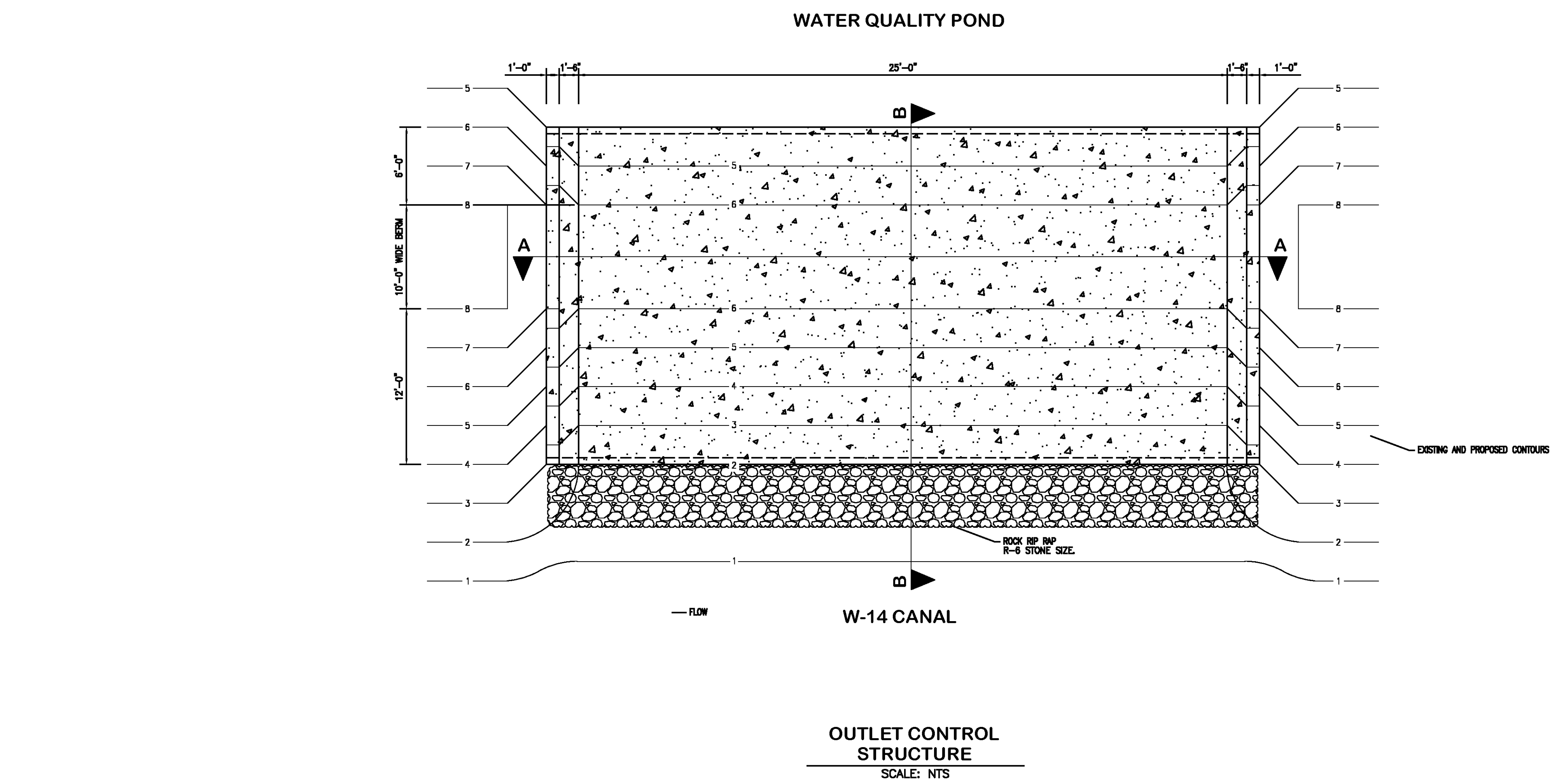
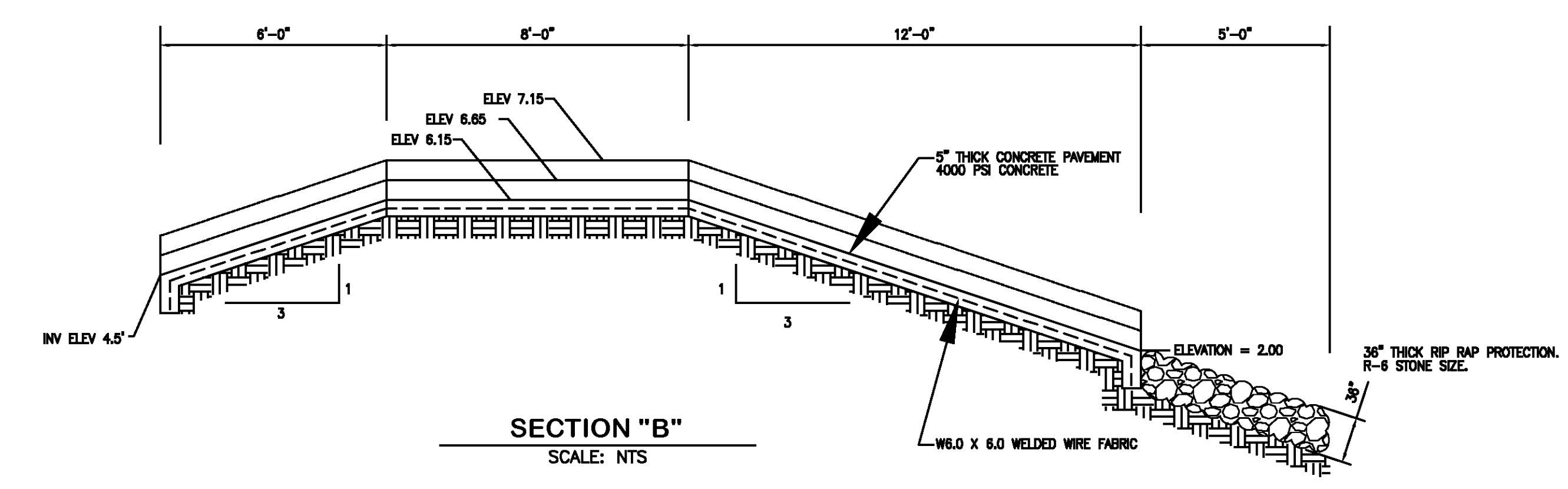
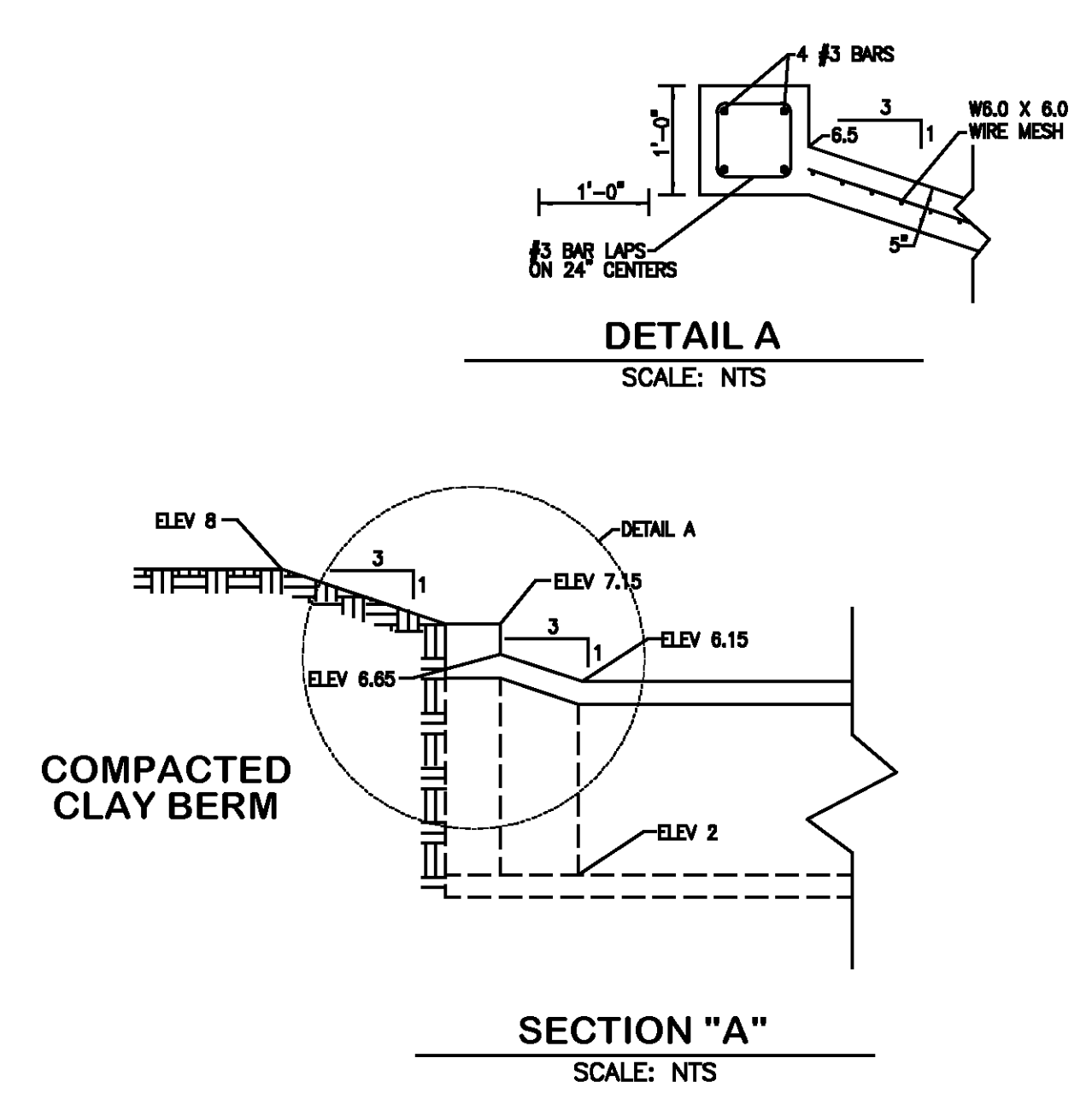
PROGRESS SET - FOR REVIEW ONLY  
 Issued 07/08/14  
 These documents are for Design Review and not intended for construction. No warranty is made. They were prepared by, or under the supervision of, Douglas E. Borzilleaux, P.E., #34541 Dupontis Design Group, PC

SPRINGS AT FREMAUX TOWN CENTER  
 SLIDELL, LOUISIANA  
 ST. TAMMANY PARISH  
 FOR CONTINENTAL 294 FUND LLC  
 MEMONEE FALLS, WI

DRAWN DGS  
 CHECKED DEB  
 ISSUED DATE 8/23/14  
 ISSUED FOR PERMITTING  
 PROJECT NO. 14-248  
 FILE 14-248 DETAILS  
 SHEET D-5



SD8  
 C8



**DETAIL SHEET**