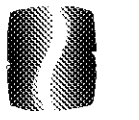


PHILLIPS

Phone 770.394.1616 Fax 770.394.1314

CONSULTANT



PHILLIPS
NORTH TERRACES
400 PERIMETER CENTER TERRACE
SUITE 650
ATLANTA, GA 30346

SEAL

ISSUE & REVISION RECORD

#	DATE	DESCRIPTION
	07/07/14	BID SET

This document is the property of Phillips Partnership, PC and is intended as a contract document and is not to be used for any other project or in any other form without the prior written consent of Phillips Partnership, PC.

PROJECT

SPRINGS AT
FREMAUX
TOWN CENTER
SLIDELL, LA

CLIENT

CONTINENTAL PROPERTIES
CONTINENTAL 294 FUND LLC
W134 N6675 EXECUTIVE PARKWAY
MENOMONEE FALLS, WI 53051
262.502.5500 * FAX 262.502.5522

PHILLIPS JOB NUMBER 1333104

ISSUE DATE 07/07/14

DRAWN BY/CHECKED BY PEM

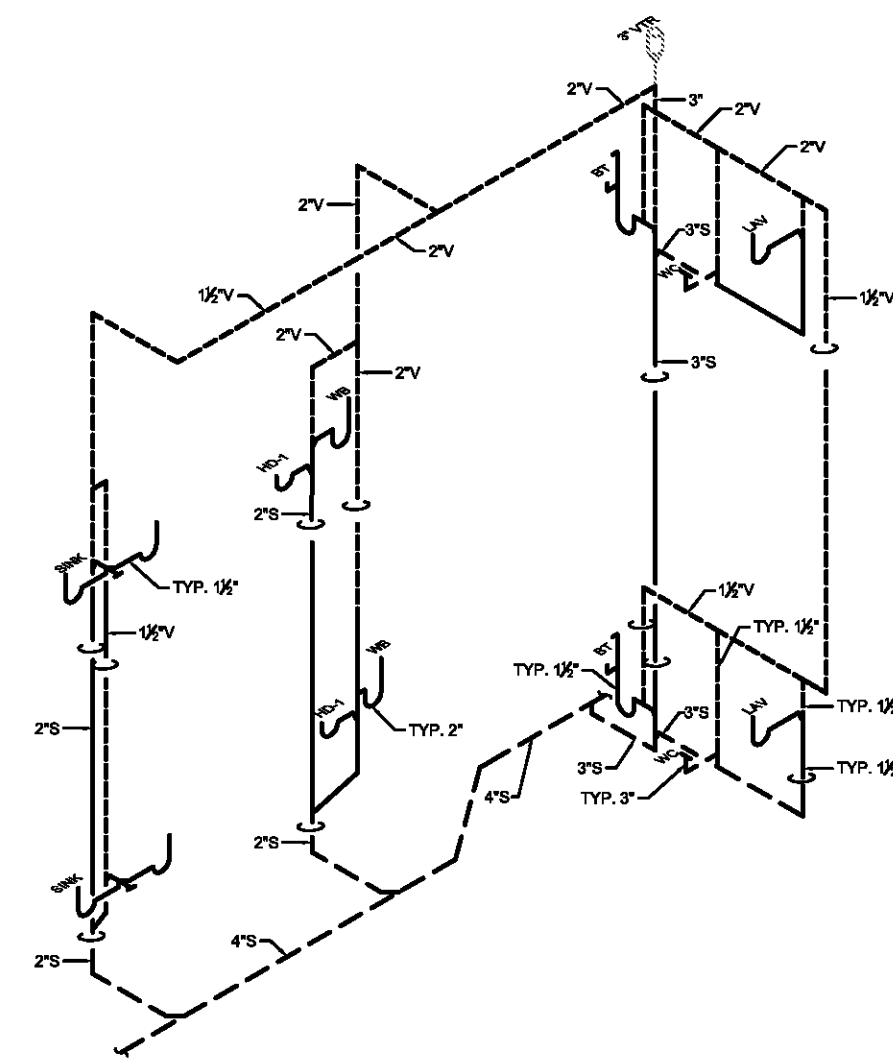
DRAWING TITLE

UNIT 1DC -
PLUMBING PLANS

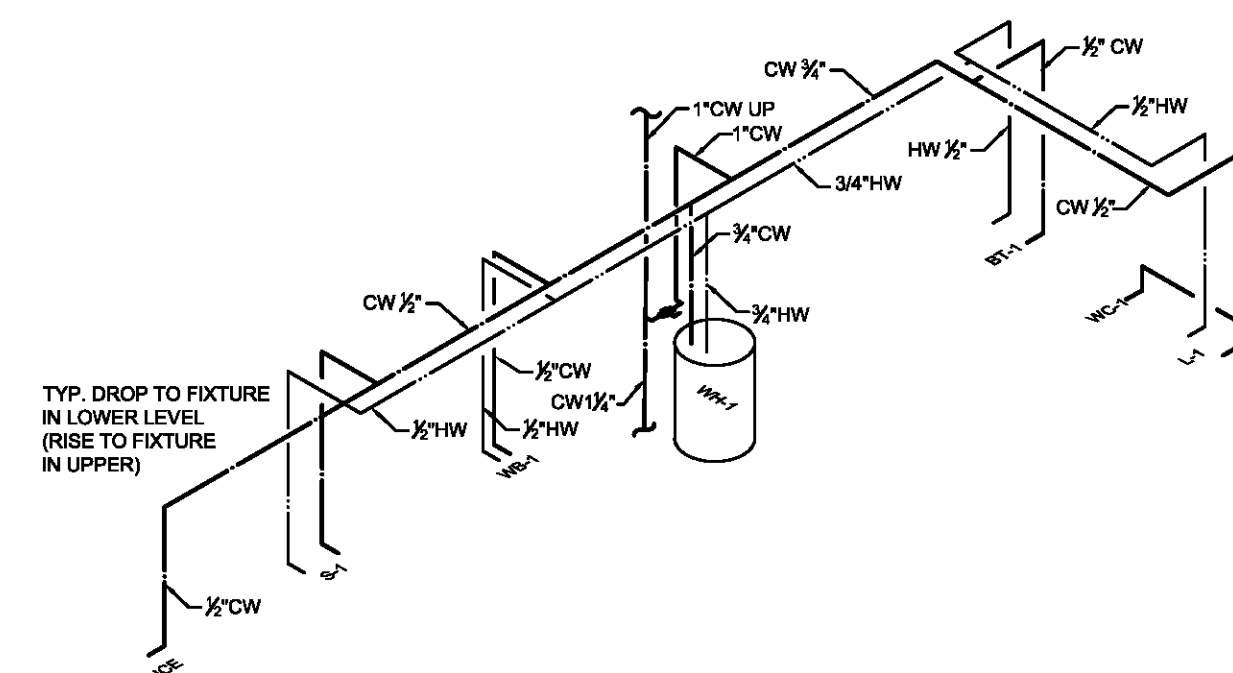
SHEET NUMBER

P4.1DC

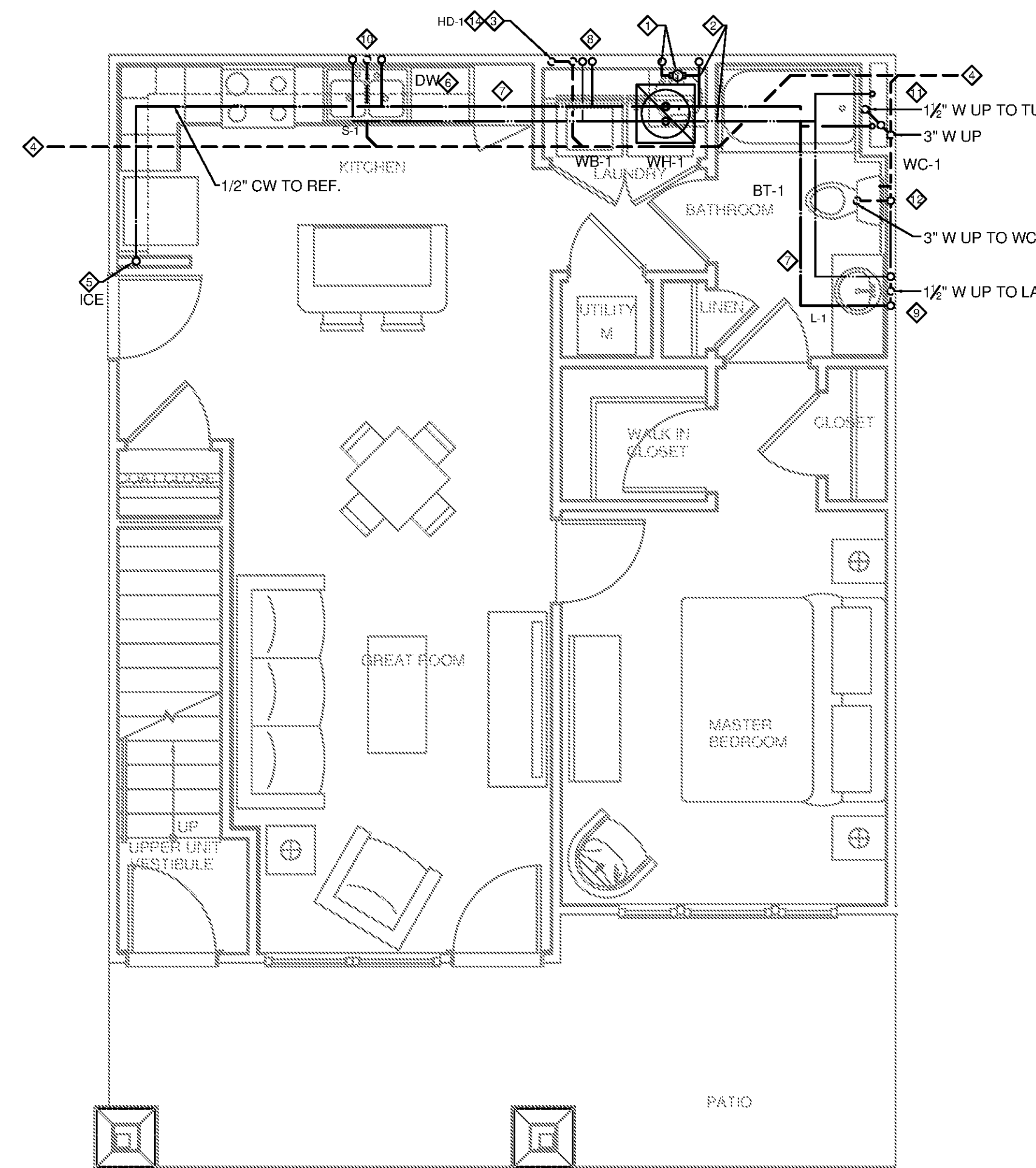
NORTH TERRACES
400 PERIMETER CENTER TERRACE
SUITE 650
ATLANTA, GEORGIA 30346



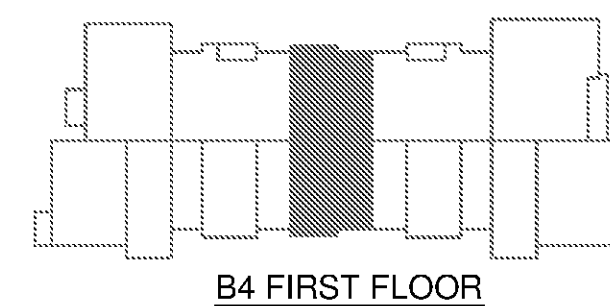
WASTE AND VENT RISER DIAGRAM
NTS



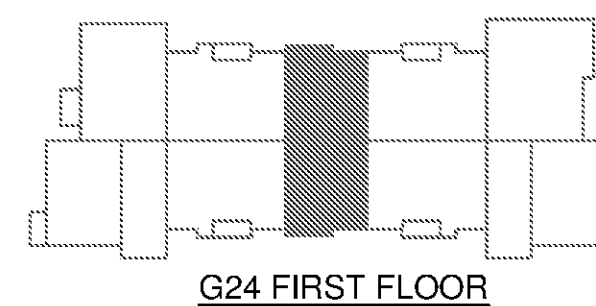
SUPPLY RISER DIAGRAM
NTS



UNIT 1DC - PLUMBING PLAN
1/4" = 1'-0"



B4 FIRST FLOOR



G24 FIRST FLOOR

GENERAL NOTES:

1. INSTALL GROUND FLOOR SANITARY DRAIN AND BRANCHES BELOW FLOOR SLAB
2. INSTALL SECOND FLOOR SANITARY BRANCHES IN JOIST SPACE AND INSTALL VENT HEADERS IN ATTIC.
3. INSTALL WATER DISTRIBUTION WITHIN WARM PORTIONS OF JOIST AND WALL SPACE.
4. VTR LOCATIONS VARY. SEE BUILDING PLANS.
5. HOT WATER LINES LONGER THAN 20'-0" FROM THE EWH SHALL BE INSULATED WITH R-4 SLEEVE INSULATION.
6. REFER TO BUILDING PLANS FOR PLUMBING RISER TAG NUMBERS.
7. ALL PIPING RUN IN EXTERIOR WALLS SHALL BE INSULATED.
8. ALL PIPING RUN ABOVE GARAGE CEILING SHALL BE INSULATED.

KEY NOTES:

- ◇ 1" CW MAIN AND SHUT-OFF VALVE FOR UNIT.
- ◇ 3/4" HW AND CW WITH SHUT OFF VALVE TO WH.
- ◇ PROVIDE HUB DRAIN (HD-1) WITH TRAP PRIMER FOR WATER HEATER CONDENSATE DRAIN LINE. REFER TO DETAIL 3 ON SHEET P6.02 FOR ADDITIONAL INFORMATION.
- ◇ SEE BUILDING PLAN FOR CONTINUATION OF SANITARY PIPING.
- ◇ PROVIDE 1/2" COLD WATER CONNECTION TO REFRIGERATOR ICE-MAKER AND PROVIDE WITH SUPPLY STOPS.
- ◇ CONNECT DISH-WASHER DISCHARGE TO GARBAGE DISPOSAL THRU ABOVE COUNTER AIR GAP. PROVIDE HOT WATER CONNECTION WITH SUPPLY STOP.
- ◇ LOCATE MAIN WATER DISTRIBUTION PIPING IN CEILING OF GROUND FLOOR UNIT. TYPICAL
- ◇ EXTEND 1/2" CW AND HW LINES AND 2" SAN DRAIN LINE TO WASHER BOX.
- ◇ EXTEND 1/2" CW AND HW LINES TO EACH LAV.
- ◇ EXTEND 1/2" CW AND 3/4" HW LINES UP TO SINK.
- ◇ EXTEND 3/4" CW AND 3/4" HW LINES UP TO TUB.
- ◇ EXTEND 1/2" CW LINE TO WC.
- ◇ DWM ABOVE FIRST FLOOR CEILING. REFER TO SHEETS P1.A.11 AND P1.B.11 FOR CONTINUATION.
- ◇ PROVIDE ACCESS PANEL FOR HD-1. ACCESS PANEL SHALL BE LOCATED IN ADJACENT CLOSET TO MECHANICAL CLOSET.