

**PHILLIPS**

Phone 770.394.1616 Fax 770.394.1314

CONSULTANT



**PHILLIPS**  
NORTH TERRACES  
400 PERIMETER CENTER TERRACE  
SUITE 650  
ATLANTA, GA 30346

SEAL

ISSUE & REVISION RECORD

#	DATE	DESCRIPTION
	07/07/14	BID SET

This document is the property of Phillips Partnership, PC and is intended as an instrument of service and is not to be used for any other project or in any other manner. All rights reserved. This document may not be reproduced without the prior written consent of Phillips Partnership, PC.

PROJECT

**SPRINGS AT FREMAUX TOWN CENTER**  
SLIDELL, LA

CLIENT

**CONTINENTAL PROPERTIES**  
CONTINENTAL 294 FUND LLC  
W134 N8875 EXECUTIVE PARKWAY  
MENOMONEE FALLS, WI 53051  
282.502.5500 \* FAX 282.502.5522

PHILLIPS JOB NUMBER 1333104

ISSUE DATE 07/07/14

DRAWN BY/CHECKED BY PEM

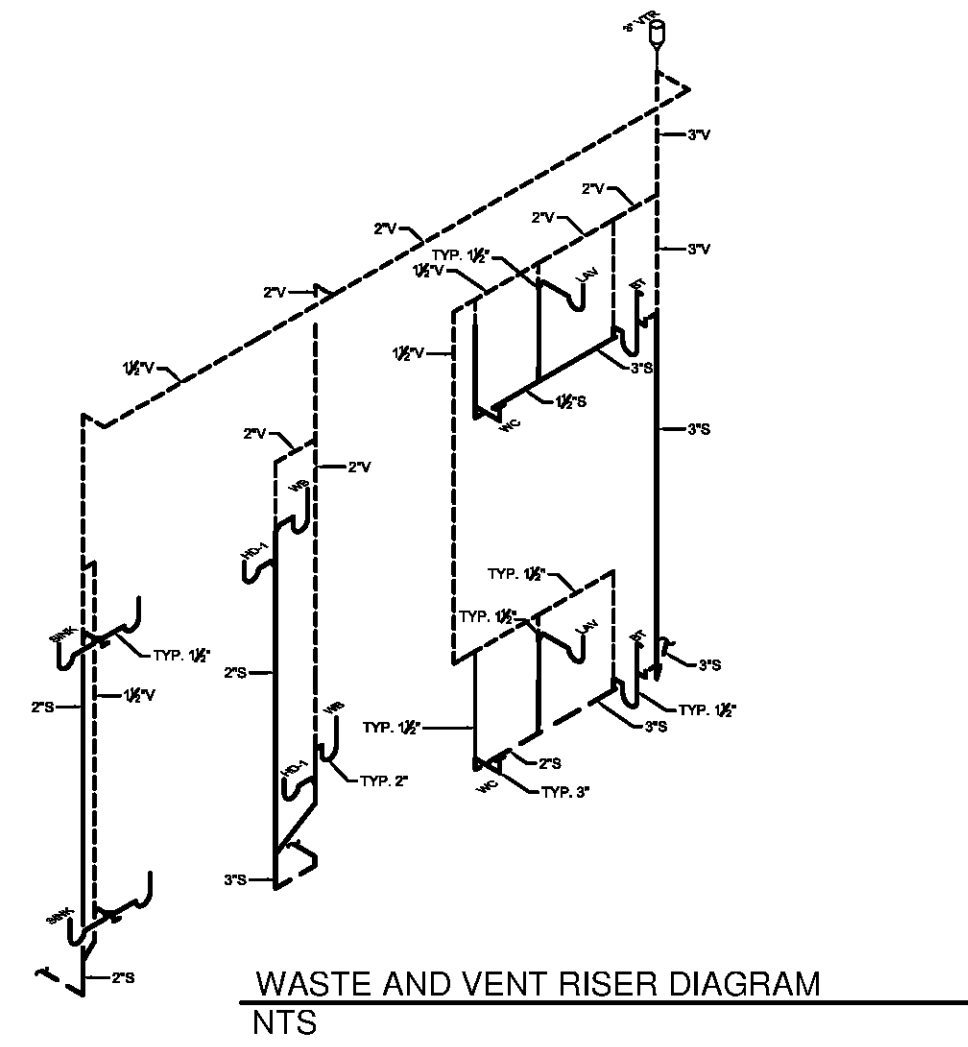
DRAWING TITLE

**UNIT 1GC - PLUMBING PLAN**

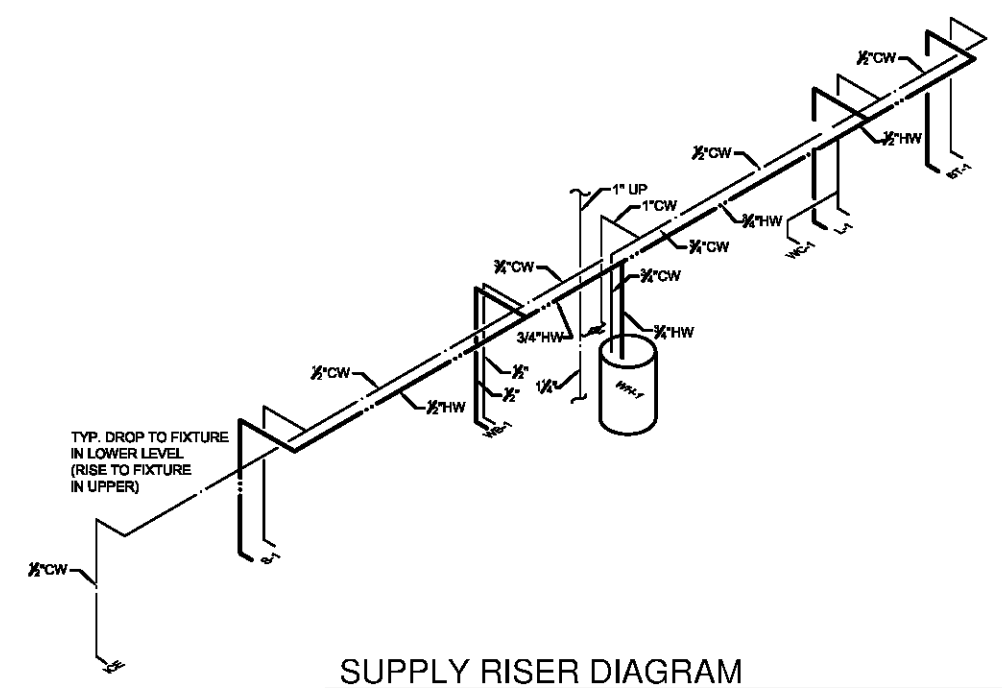
SHEET NUMBER

**P4.1GC**

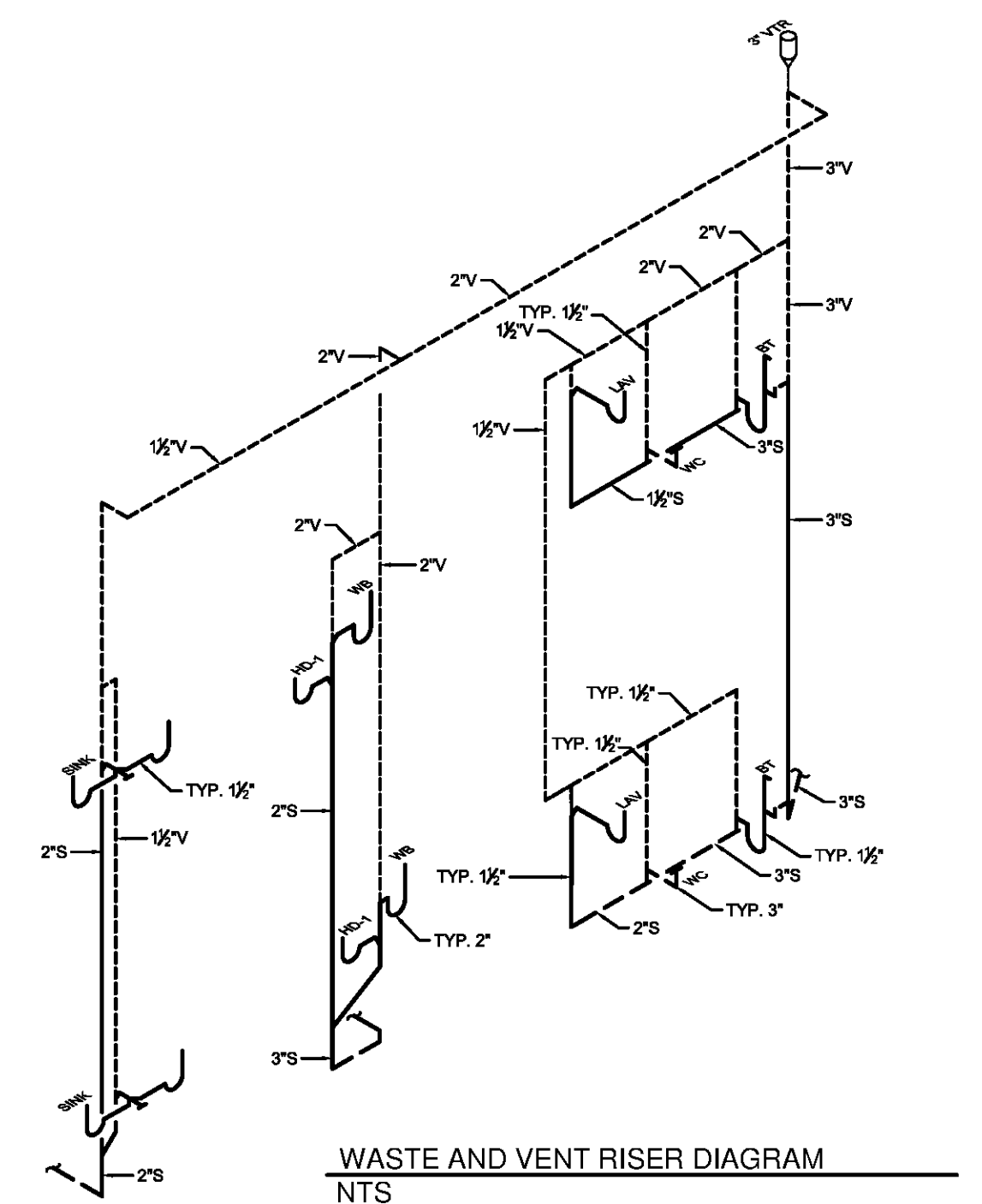
NORTH TERRACES  
400 PERIMETER CENTER TERRACE  
SUITE 650  
ATLANTA, GEORGIA 30346



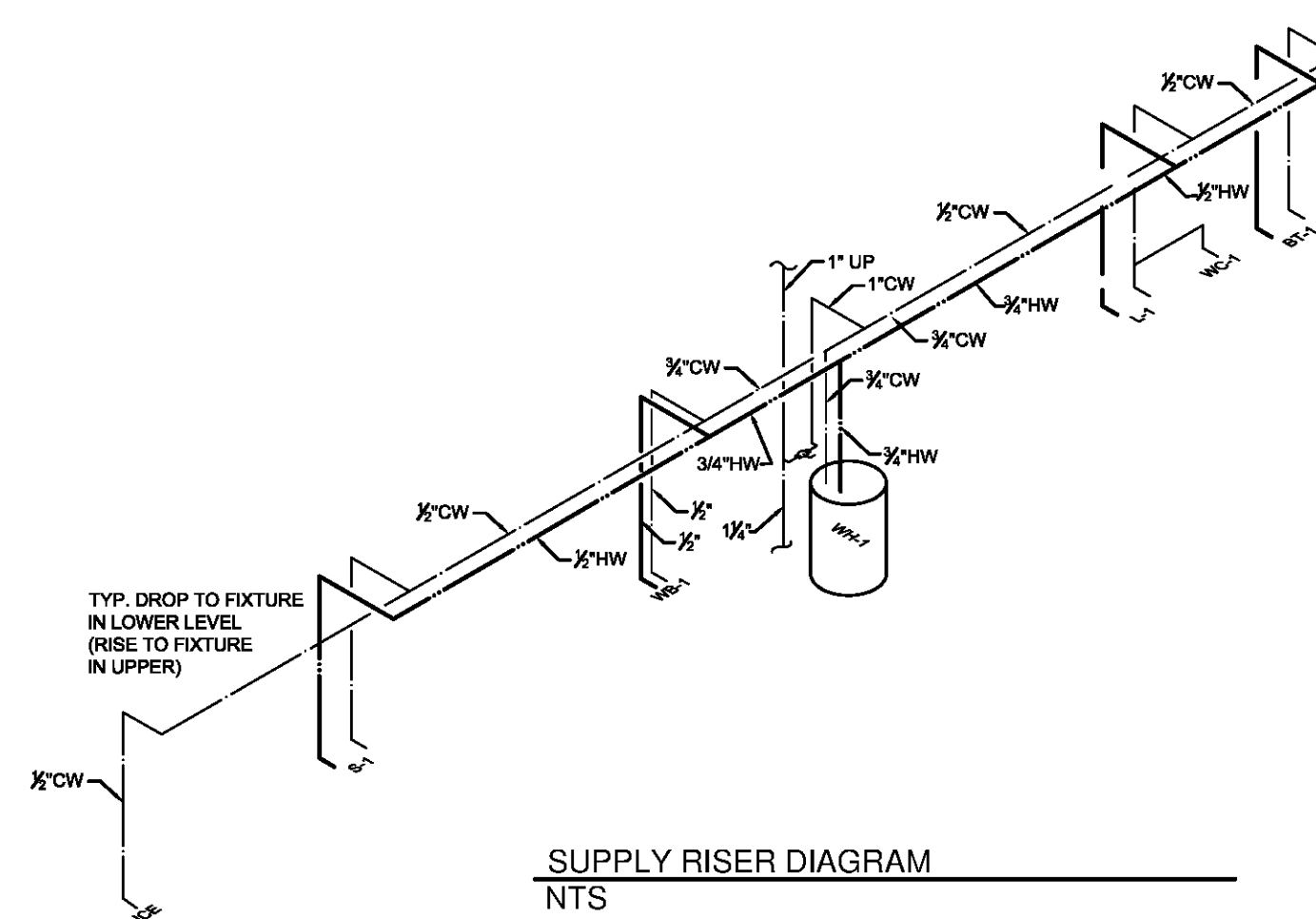
WASTE AND VENT RISER DIAGRAM  
NTS



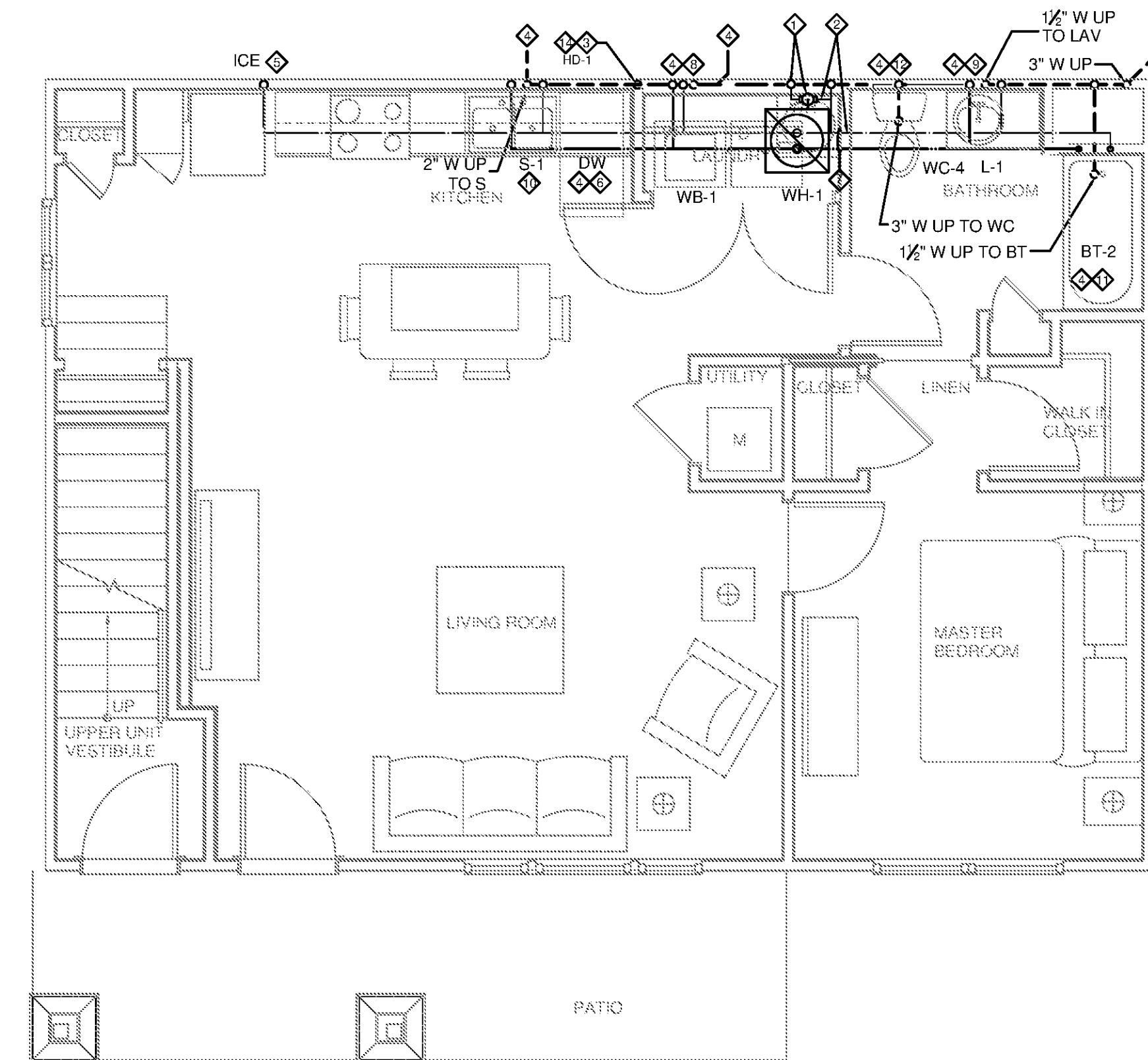
SUPPLY RISER DIAGRAM  
NTS



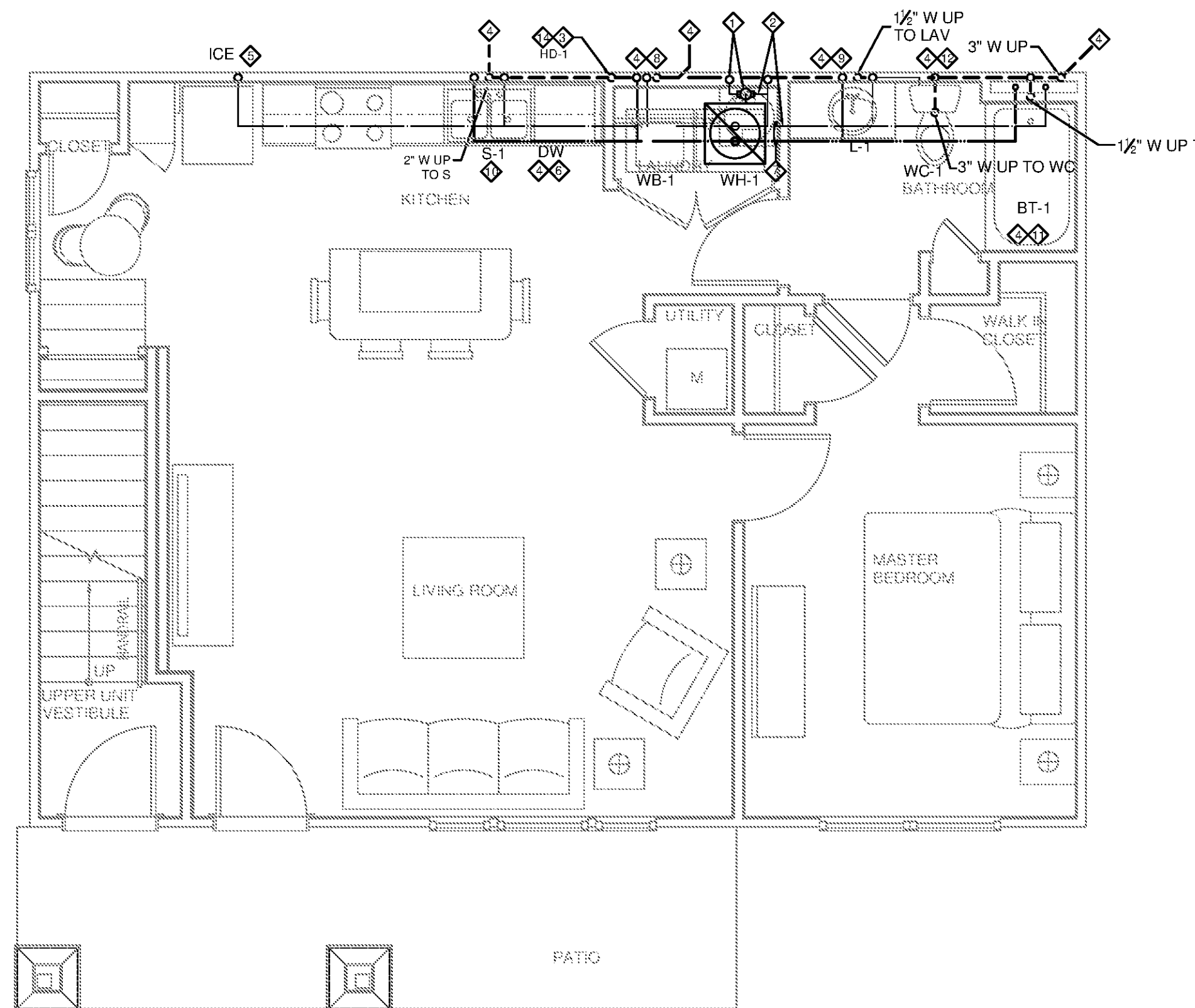
WASTE AND VENT RISER DIAGRAM  
NTS



SUPPLY RISER DIAGRAM  
NTS



ADA UNIT 1GCA - PLUMBING PLAN  
1/4" = 1'-0"



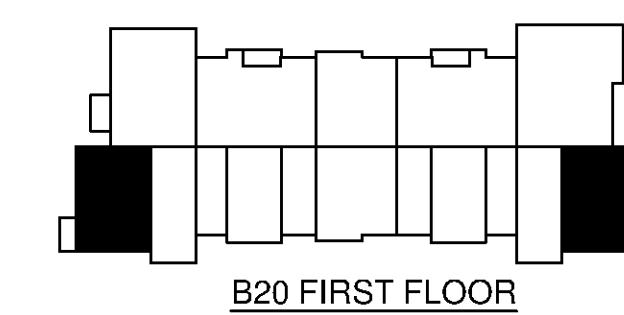
UNIT 1GC - PLUMBING PLAN  
1/4" = 1'-0"

**GENERAL NOTES:**

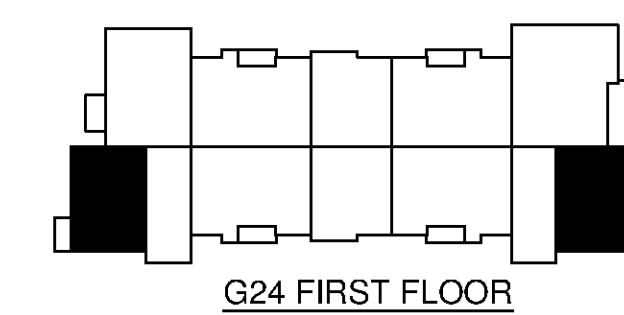
1. INSTALL GROUND FLOOR SANITARY DRAIN AND BRANCHES BELOW FLOOR SLAB
2. INSTALL SECOND FLOOR SANITARY BRANCHES IN JOIST SPACE AND INSTALL VENT HEADERS IN ATTIC.
3. INSTALL WATER DISTRIBUTION WITHIN WARM PORTIONS OF JOIST AND WALL SPACE.
4. VTR LOCATIONS VARY. SEE BUILDING PLANS.
5. HOT WATER LINES LONGER THAN 20'-0" FROM THE EWH SHALL BE INSULATED WITH R-4 SLEEVE INSULATION.
6. REFER TO BUILDING PLANS FOR PLUMBING RISER TAG NUMBERS.
7. ALL PIPING RUN IN EXTERIOR WALLS SHALL BE INSULATED.
8. ALL PIPING RUN ABOVE GARAGE CEILING SHALL BE INSULATED.

**KEY NOTES:**

- ◆ 1" CW MAIN AND SHUT-OFF VALVE FOR UNIT.
- ◆ 3/4" HW AND CW WITH SHUT OFF VALVE TO WH.
- ◆ PROVIDE HUB DRAIN (HD-1) WITH TRAP PRIMER FOR WATER HEATER CONDENSATE DRAIN LINE. REFER TO DETAIL 3 ON SHEET P6.02 FOR ADDITIONAL INFORMATION.
- ◆ SEE BUILDING PLAN FOR CONTINUATION OF SANITARY PIPING.
- ◆ PROVIDE 1/2" COLD WATER CONNECTION TO REFRIGERATOR ICE-MAKER AND PROVIDE WITH SUPPLY STOPS.
- ◆ CONNECT DISHWASHER DISCHARGE TO GARBAGE DISPOSAL THRU ABOVE COUNTER AIR GAP. PROVIDE HOT WATER CONNECTION WITH SUPPLY STOP.
- ◆ LOCATE MAIN WATER DISTRIBUTION PIPING IN CEILING OF GROUND FLOOR UNIT. TYPICAL.
- ◆ EXTEND 1/2" CW AND HW LINES AND 2" SAN DRAIN LINE TO WASHER BOX.
- ◆ EXTEND 1/2" CW AND HW LINES TO EACH LAV.
- ◆ EXTEND 1/2" CW AND 3/4" HW LINES UP TO SINK.
- ◆ EXTEND 3/4" CW AND 3/4" HW LINES UP TO TUB.
- ◆ EXTEND 1/2" CW LINE TO WC.
- ◆ DWM ABOVE FIRST FLOOR CEILING. REFER TO SHEETS P1.A.11 AND P1.B.11 FOR CONTINUATION.
- ◆ PROVIDE ACCESS PANEL FOR HD-1. ACCESS PANEL SHALL BE LOCATED IN ADJACENT CLOSET TO MECHANICAL CLOSET.



B20 FIRST FLOOR



G24 FIRST FLOOR