

PHILLIPS

Phone 770.394.1616 Fax 770.394.1314

CONSULTANT



PHILLIPS  
NORTH TERRACES  
400 PERIMETER CENTER TERRACE  
SUITE 600  
ATLANTA, GA 30346

SEAL

ISSUE & REVISION RECORD

#	DATE	DESCRIPTION
	07/07/14	BID SET

This document is the property of Phillips Partnership, PC and is intended for use only in connection with the project on which it is prepared. All rights reserved. This document may not be reproduced without the prior written consent of Phillips Partnership, PC.

PROJECT

SPRINGS AT  
FREMAUX  
TOWN CENTER  
SLIDELL, LA

CLIENT

CONTINENTAL PROPERTIES  
CONTINENTAL 294 FUND LLC  
W134 N8875 EXECUTIVE PARKWAY  
MENOMONEE FALLS, WI 53051  
262.502.5500 \* FAX 262.502.5522

PHILLIPS JOB NUMBER 1333104

ISSUE DATE 07/07/14

DRAWN BY/CHECKED BY PEM

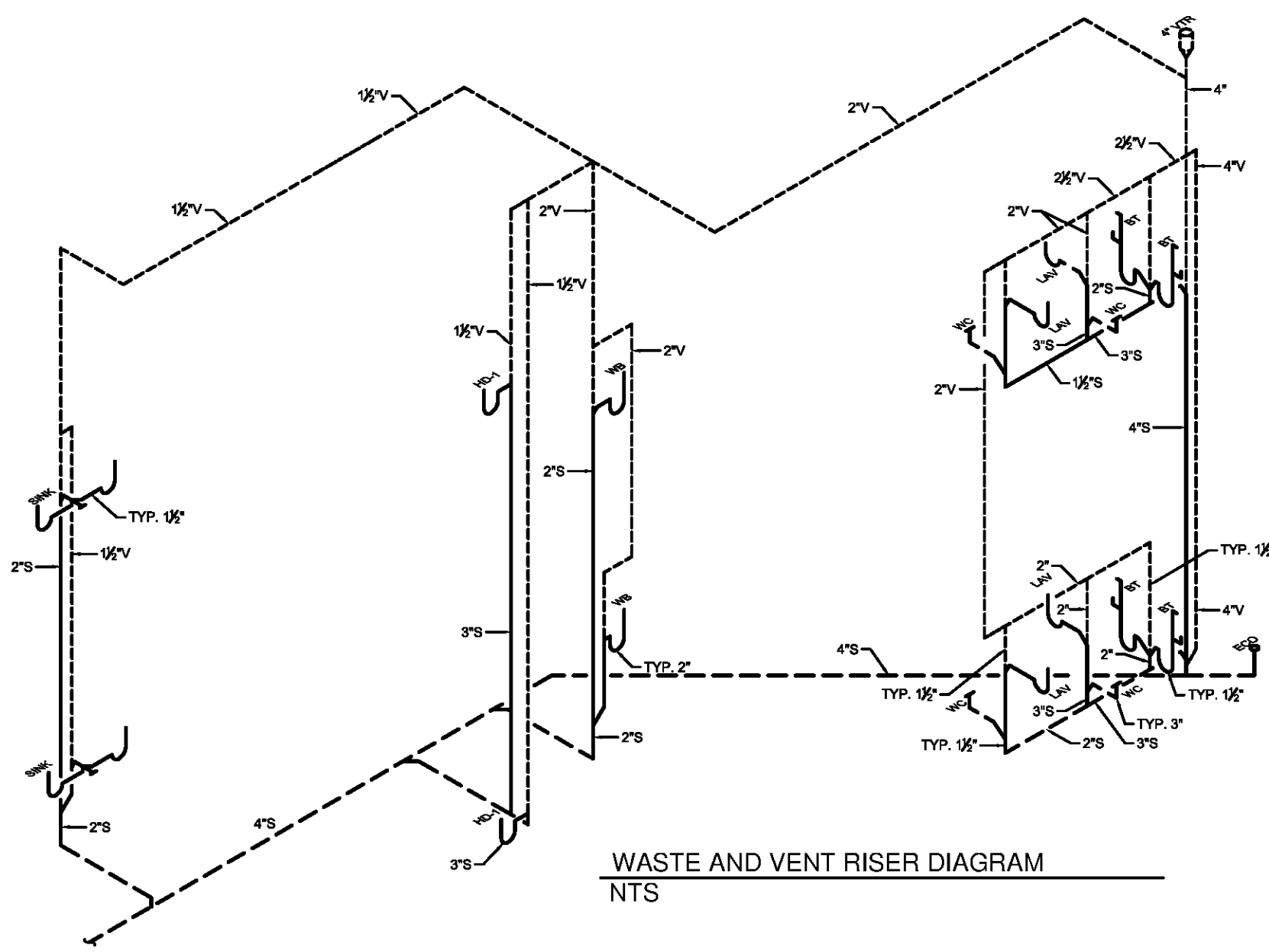
DRAWING TITLE

UNIT 3GC -  
PLUMBING PLAN

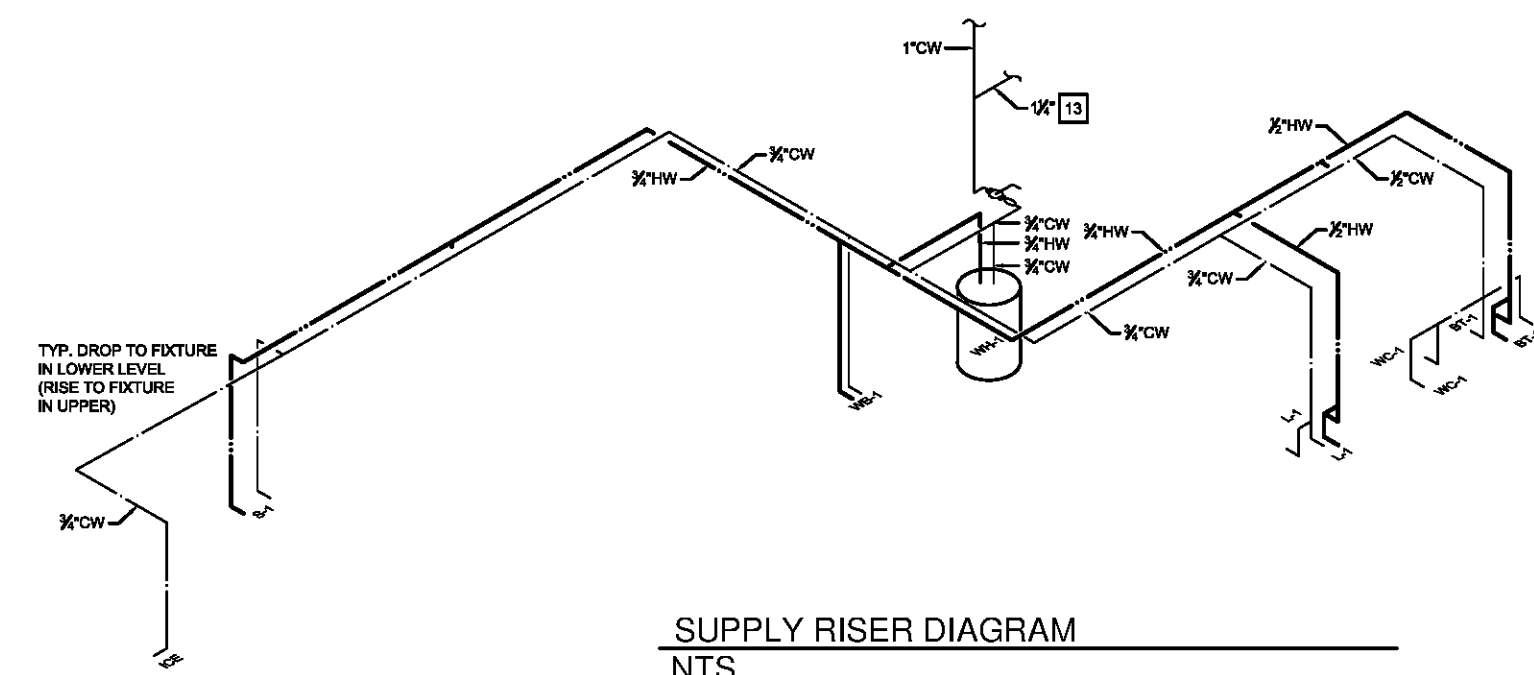
SHEET NUMBER

P4.3GC

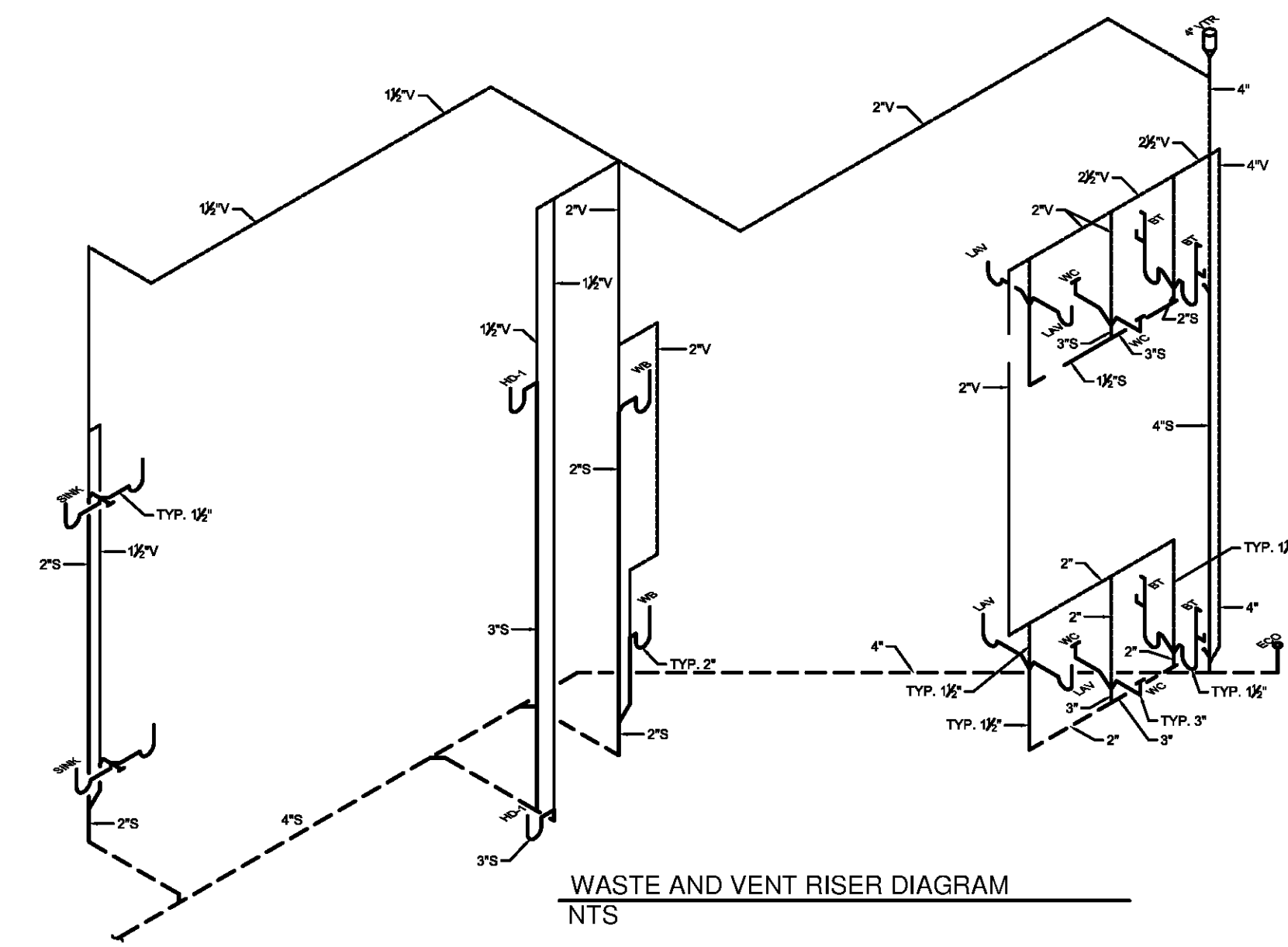
NORTH TERRACES  
400 PERIMETER CENTER TERRACE  
SUITE 600  
ATLANTA, GEORGIA 30346



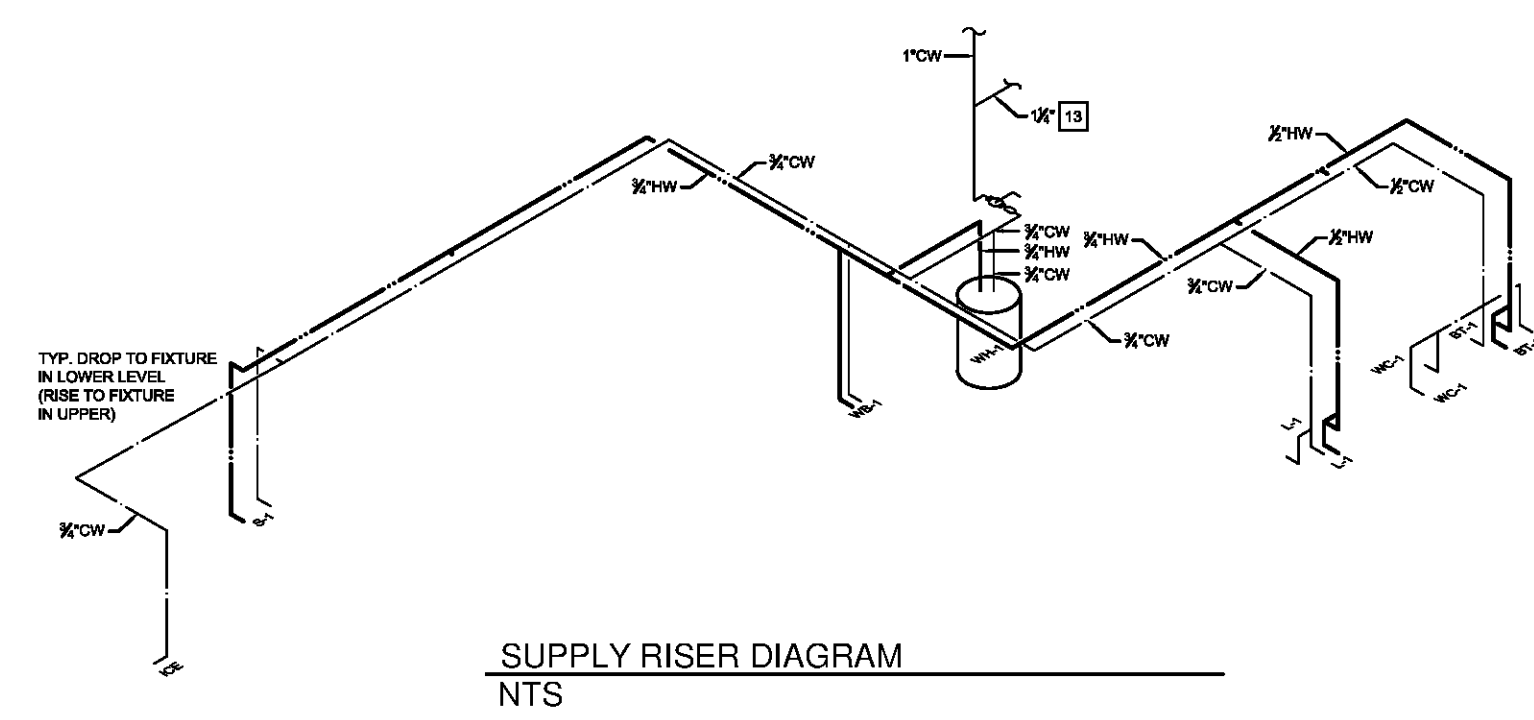
WASTE AND VENT RISER DIAGRAM  
NTS



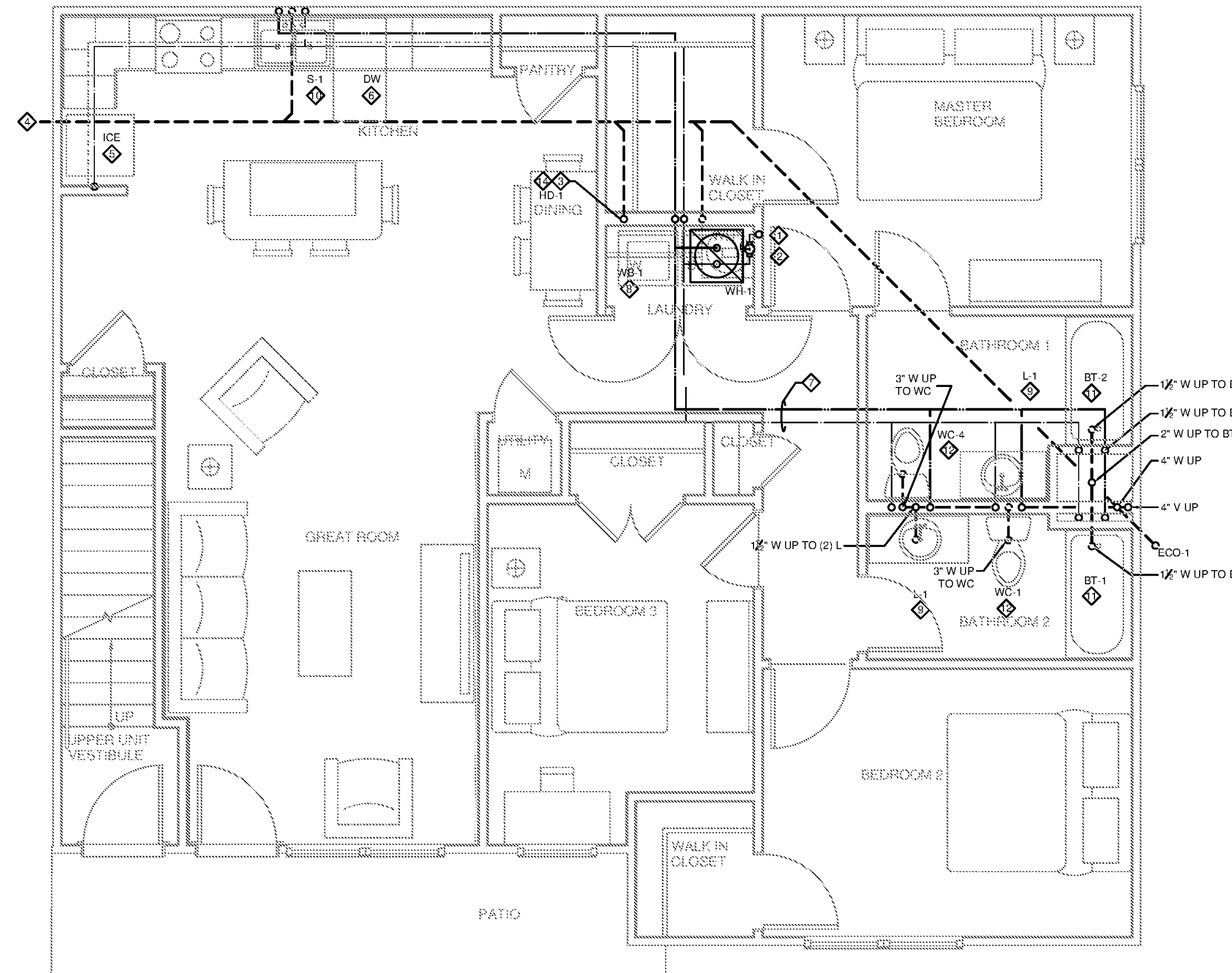
SUPPLY RISER DIAGRAM  
NTS



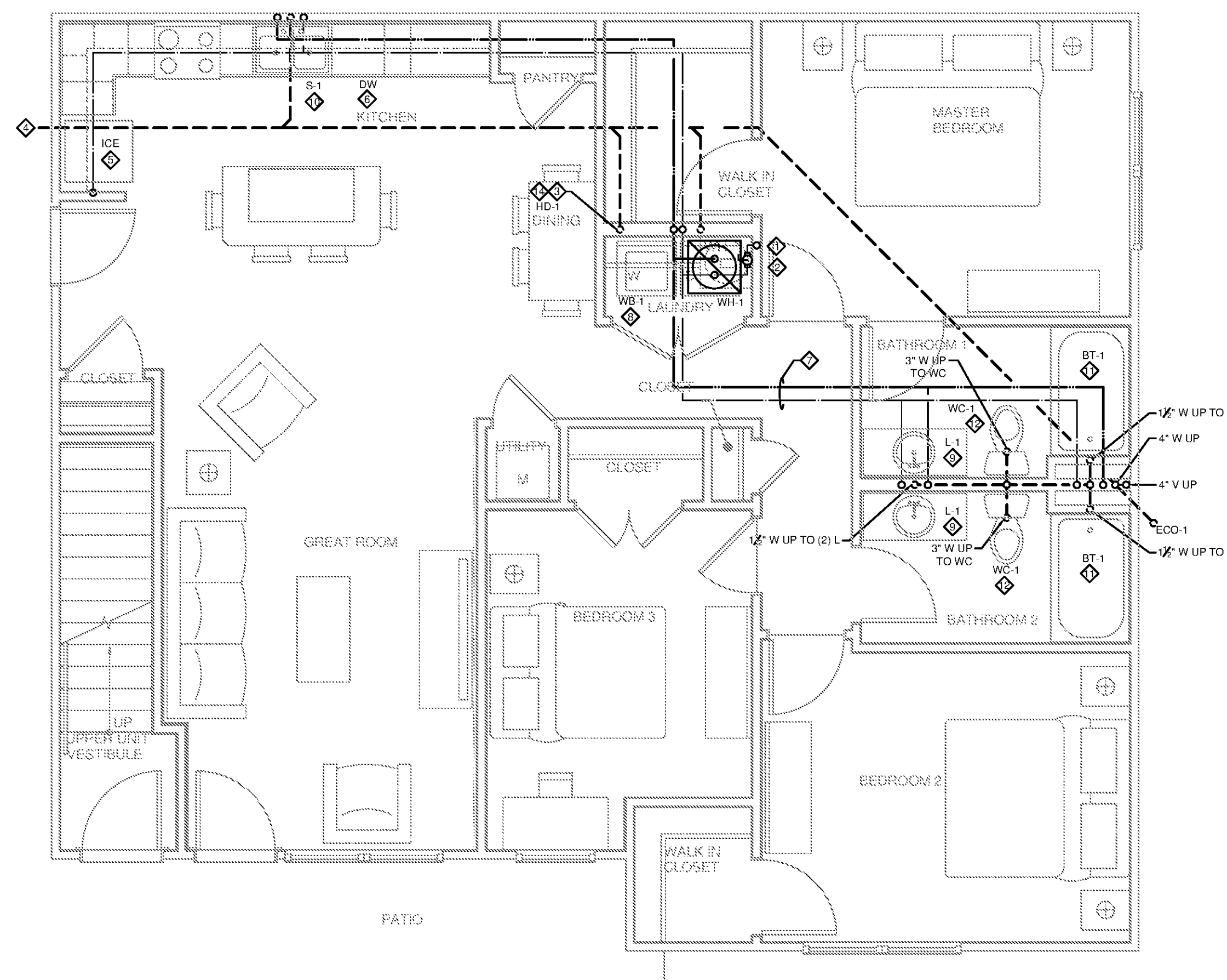
WASTE AND VENT RISER DIAGRAM  
NTS



SUPPLY RISER DIAGRAM  
NTS



ADA UNIT 3GCA - PLUMBING PLAN  
1/4" = 1'-0"



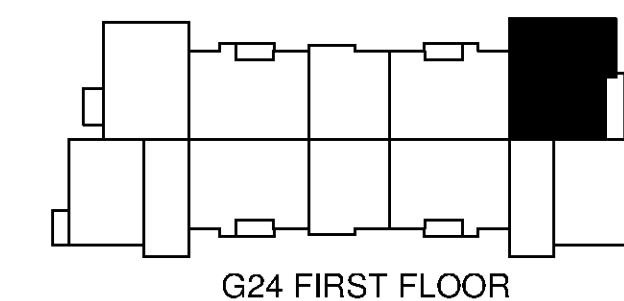
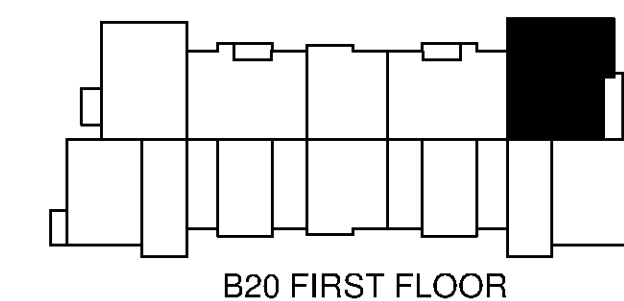
UNIT 3GC - PLUMBING PLAN  
1/4" = 1'-0"

GENERAL NOTES:

1. INSTALL GROUND FLOOR SANITARY DRAIN AND BRANCHES BELOW FLOOR SLAB
2. INSTALL SECOND FLOOR SANITARY BRANCHES IN JOIST SPACE AND INSTALL VENT HEADERS IN ATTIC.
3. INSTALL WATER DISTRIBUTION WITHIN WARM PORTIONS OF JOIST SPACE.
4. VTR LOCATIONS VARY. SEE BUILDING PLANS.
5. HOT WATER LINES LONGER THAN 20'-0" FROM THE EWH SHALL BE INSULATED WITH R-4 SLEEVE INSULATION.
6. REFER TO BUILDING PLANS FOR PLUMBING RISER TAG NUMBERS.
7. ALL PIPING RUN IN EXTERIOR WALLS SHALL BE INSULATED.
8. ALL PIPING RUN ABOVE GARAGE CEILING SHALL BE INSULATED.

KEY NOTES:

- ◆ 1" CW MAIN AND SHUT-OFF VALVE FOR UNIT.
- ◆ 3/4" HW AND CW WITH SHUT OFF VALVE TO WH.
- ◆ PROVIDE HUB DRAIN (HD-1) WITH TRAP PRIMER FOR AC UNIT CONDENSATE DRAIN LINE. REFER TO DETAIL 3 ON SHEET P6.02 FOR ADDITIONAL INFORMATION.
- ◆ SEE BUILDING PLAN FOR CONTINUATION OF SANITARY PIPING AND P4.3GC FOR RISER DIAGRAM.
- ◆ PROVIDE 1/2" COLD WATER CONNECTION TO REFRIGERATOR ICE-MAKER AND PROVIDE WITH SUPPLY STOPS.
- ◆ CONNECT DISHWASHER DISCHARGE TO GARBAGE DISPOSAL THRU ABOVE COUNTER AIR GAP. PROVIDE HOT WATER CONNECTION WITH SUPPLY STOP.
- ◆ LOCATE MAIN WATER DISTRIBUTION PIPING IN CEILING OF GROUND FLOOR UNIT. TYPICAL
- ◆ EXTEND 1/2" CW AND HW LINES AND 2" SAN DRAIN LINE TO WASHER BOX.
- ◆ EXTEND 1/2" CW AND HW LINES TO EACH LAV.
- ◆ EXTEND 1/2" CW AND 3/4" HW LINES UP TO SINK.
- ◆ EXTEND 3/4" CW AND 3/4" HW LINES UP TO TUB.
- ◆ EXTEND 1/2" CW LINE TO WC.
- ◆ DWM ABOVE FIRST FLOOR CEILING. REFER TO SHEETS P1.A.11 AND P1.B.11 FOR CONTINUATION.
- ◆ PROVIDE ACCESS PANEL FOR HD-1. ACCESS PANEL SHALL BE LOCATED IN ADJACENT CLOSET TO MECHANICAL CLOSET.



B20 FIRST FLOOR

G24 FIRST FLOOR