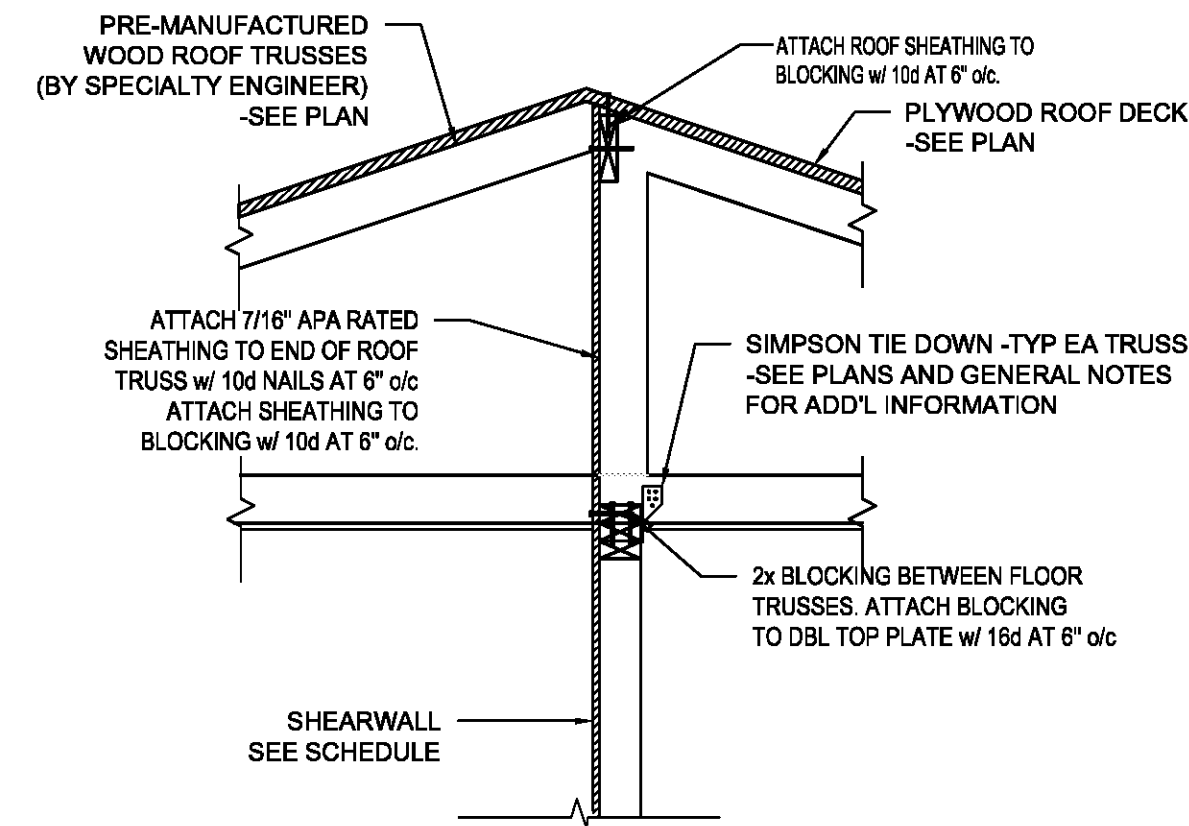


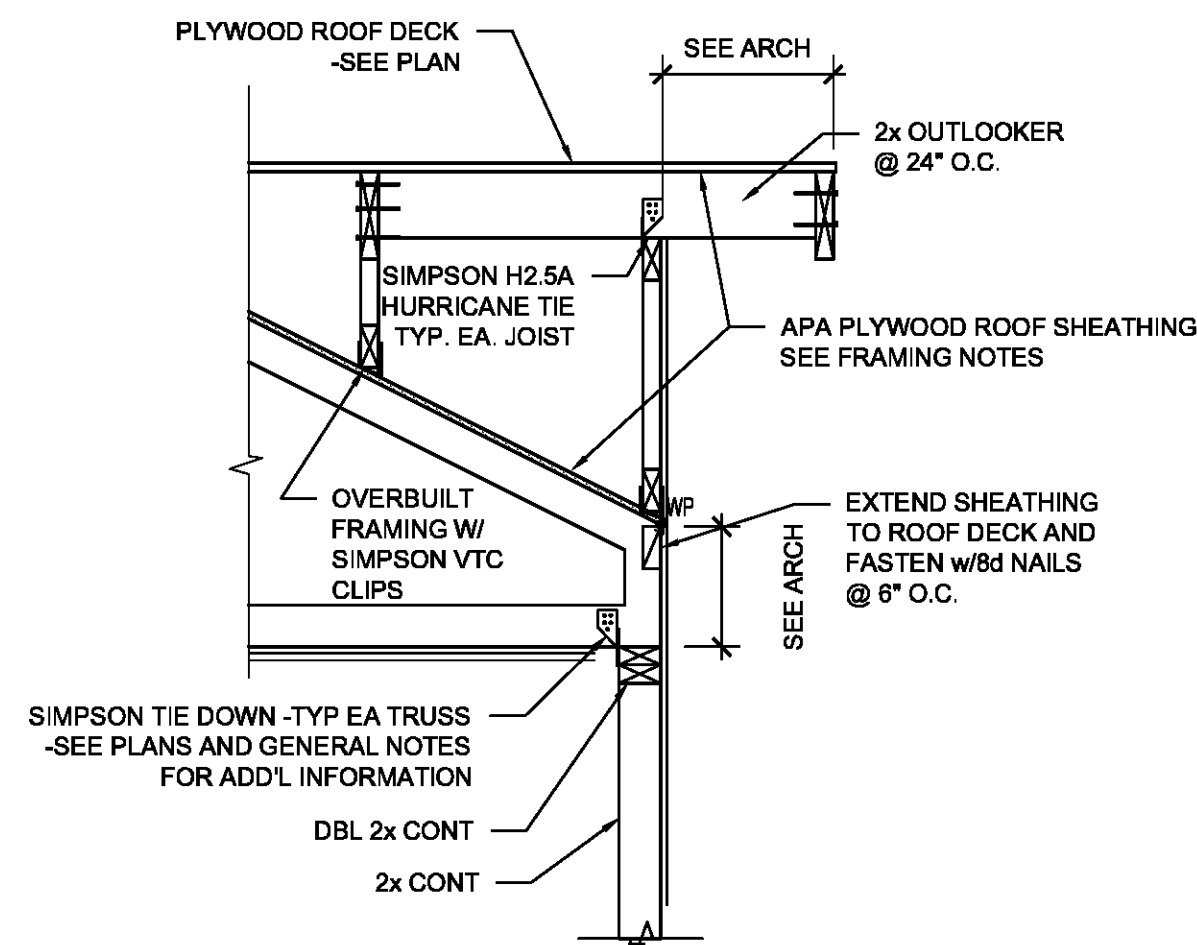
13 ANCILLARY BUILDING ROOF SECTION

S4.3 SCALE: 3/4" = 1'-0"



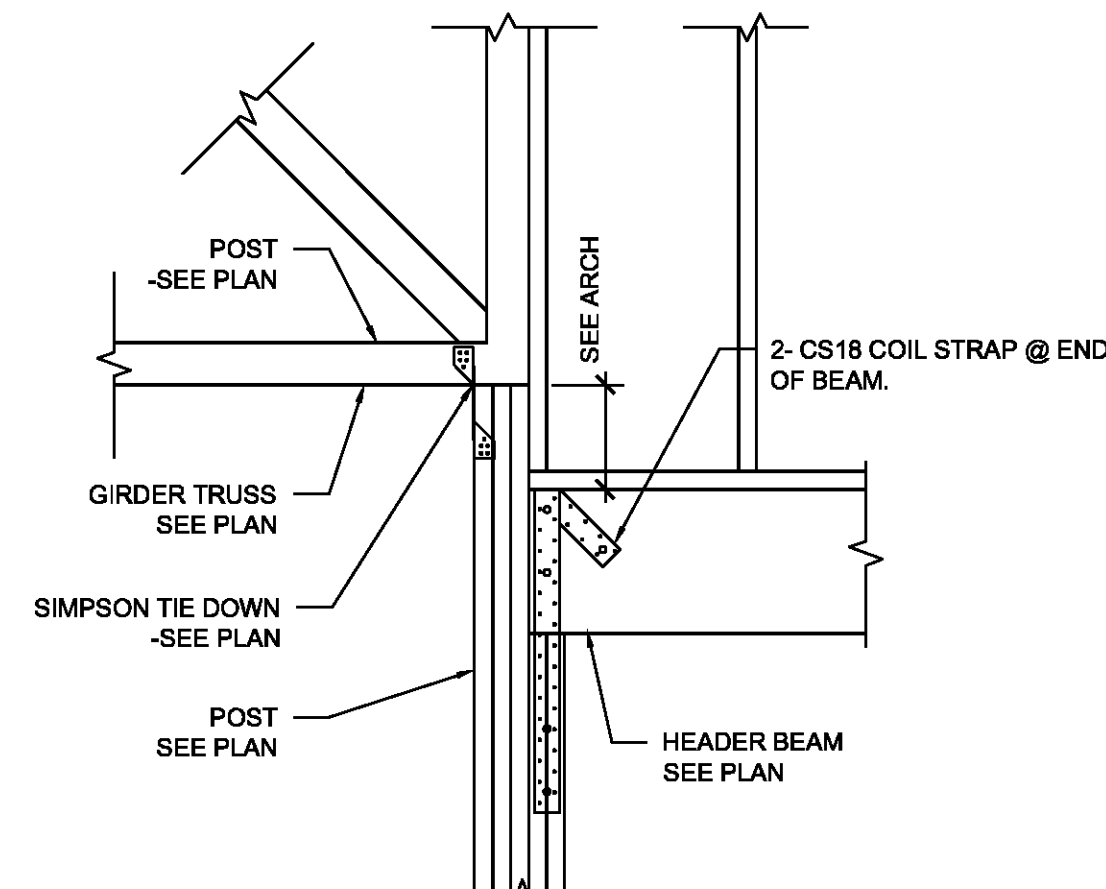
14 SECTION AT INTERIOR SHEAR WALL AT ANCILLARY BUILDING

S4.3 SCALE: 3/4" = 1'-0"



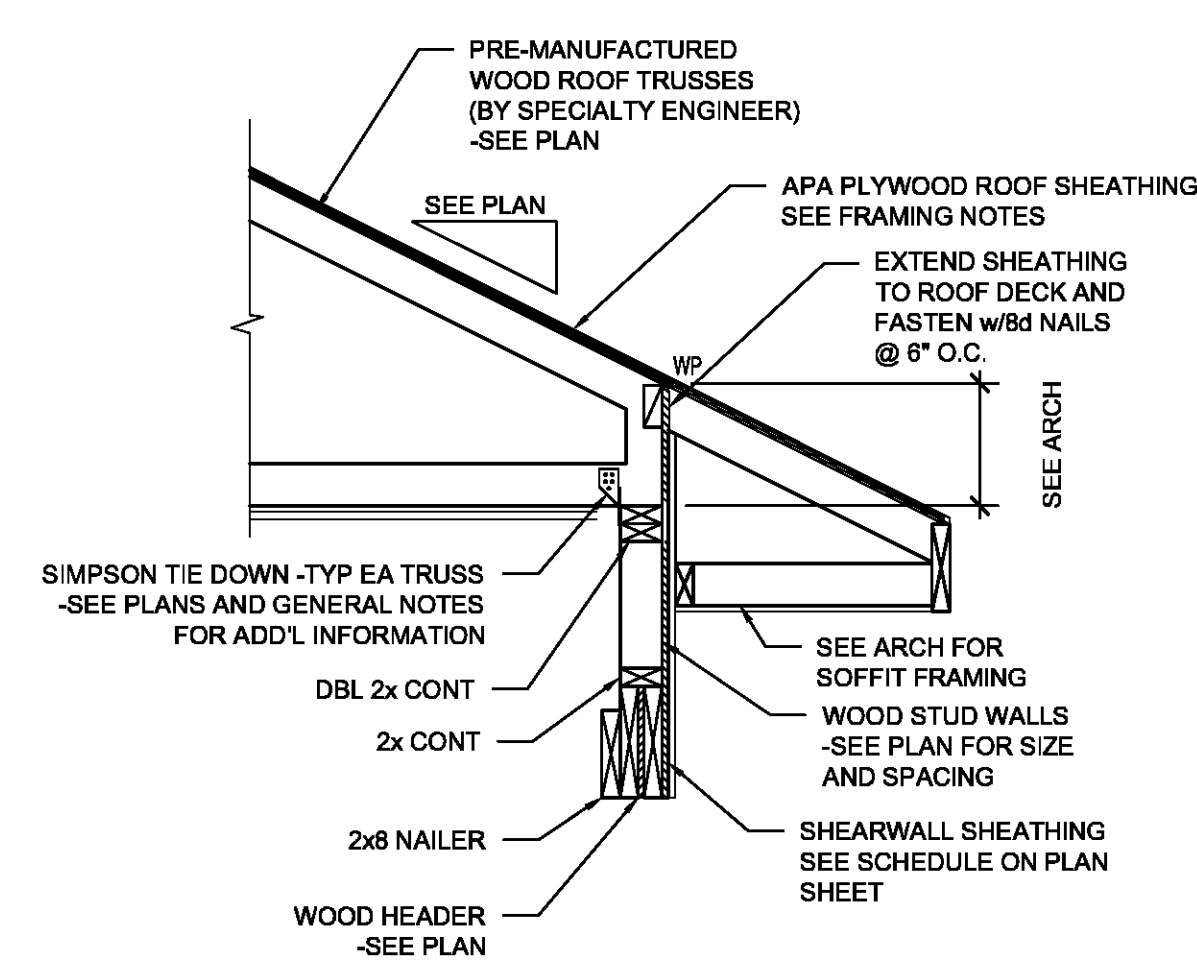
15 ANCILLARY BUILDING ROOF SECTION

S4.3 SCALE: 3/4" = 1'-0"



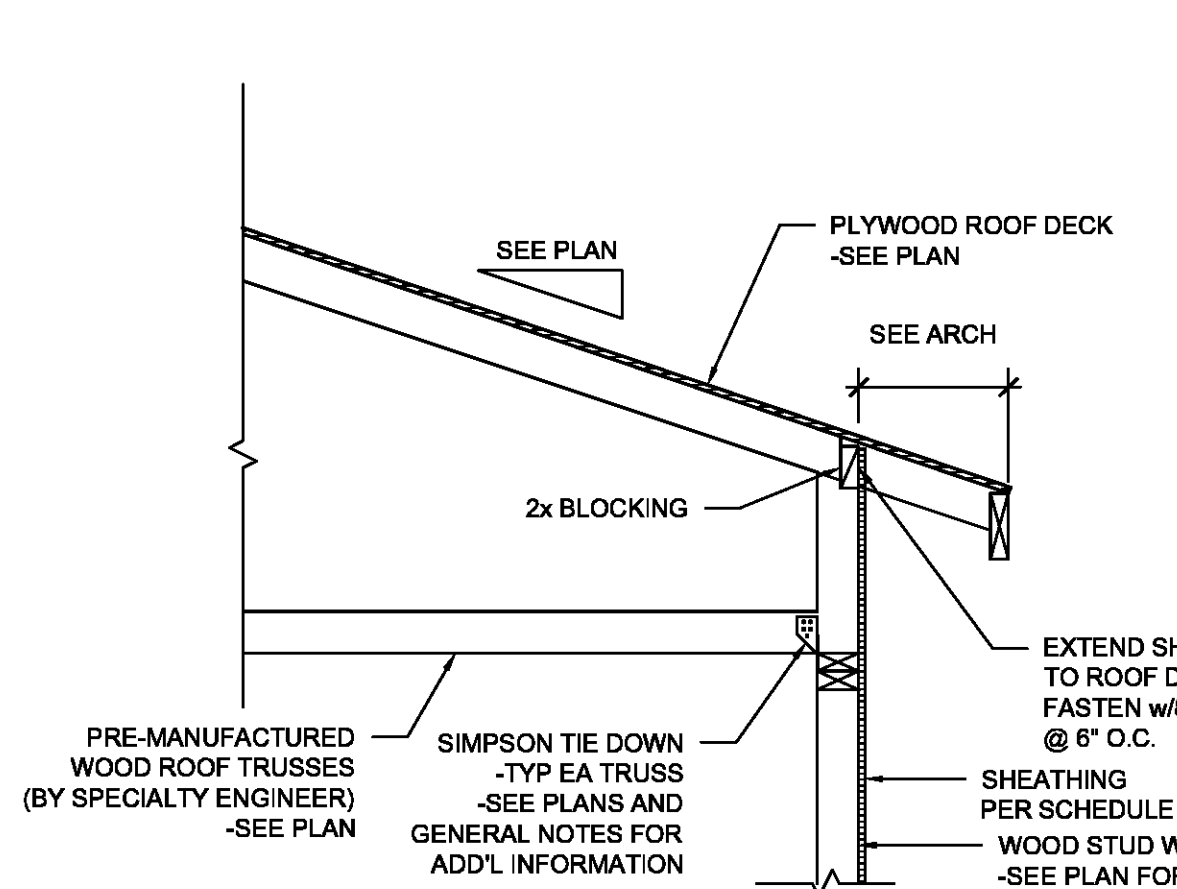
9 WOOD BEAM/GIRDER TRUSS CONNECTION DETAIL

S4.3 SCALE: N.T.S.



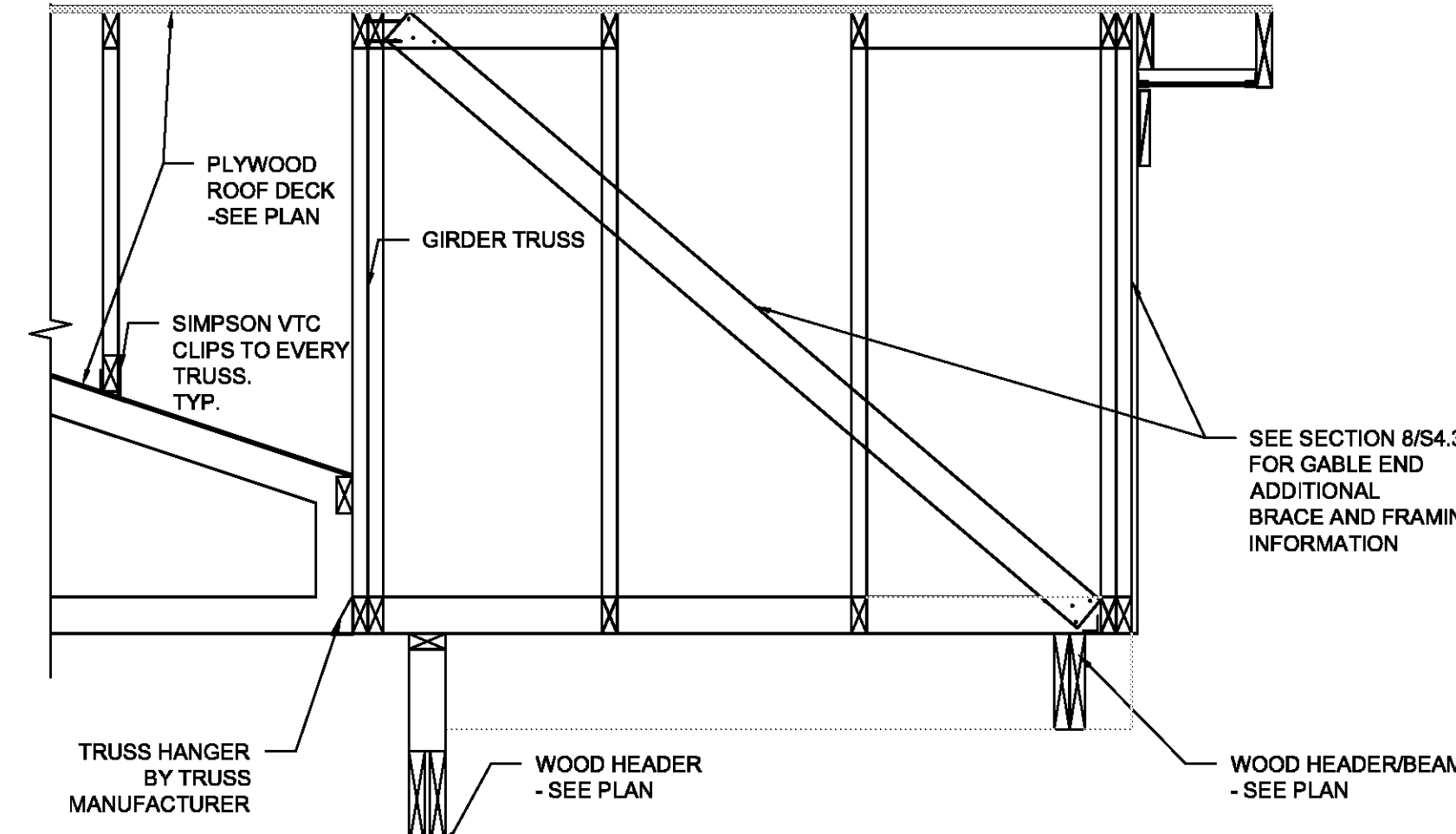
10 ANCILLARY BUILDING ROOF SECTION

S4.3 SCALE: 3/4" = 1'-0"



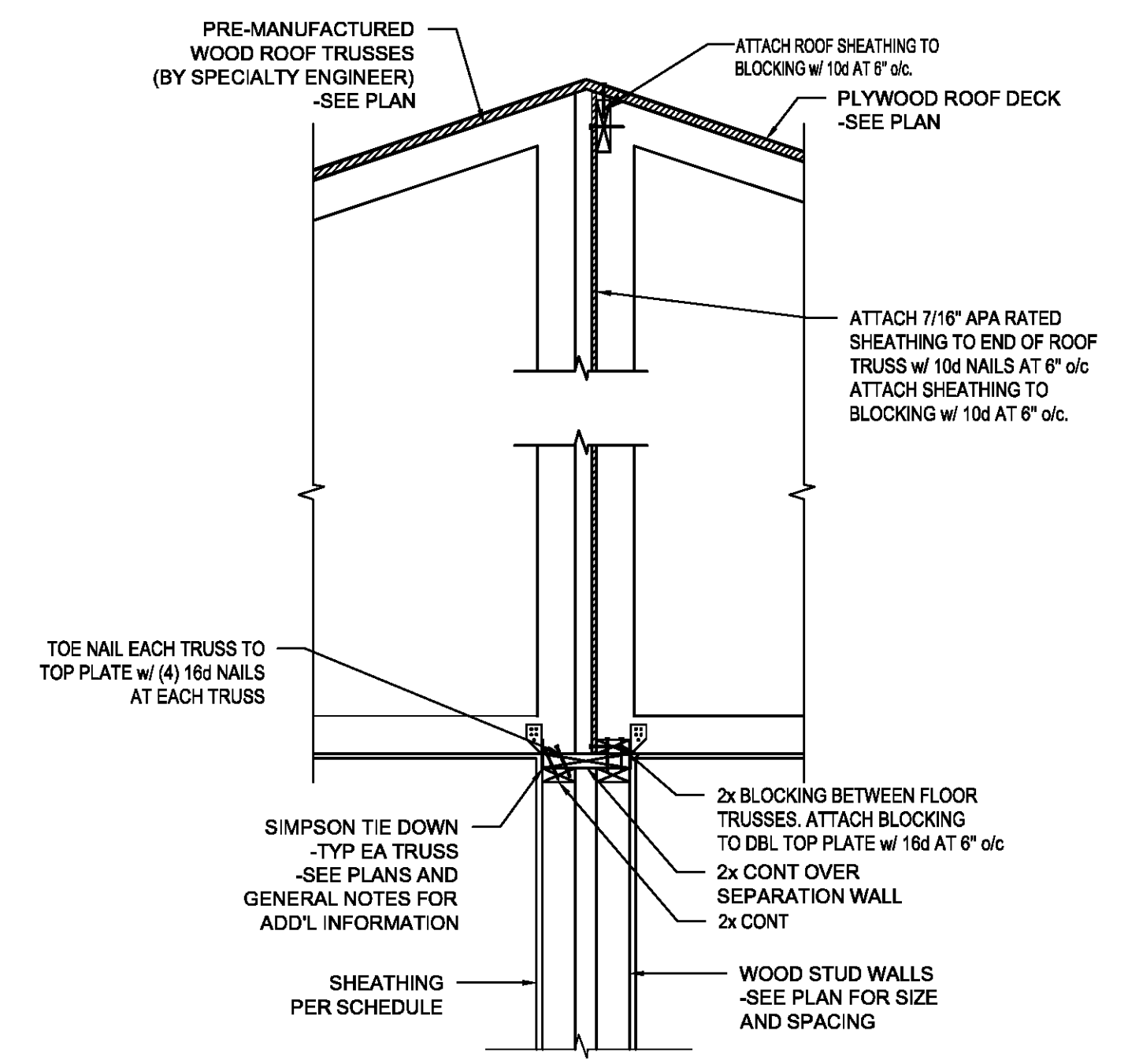
5 ROOF SECTION

S4.3 SCALE: 3/4" = 1'-0"



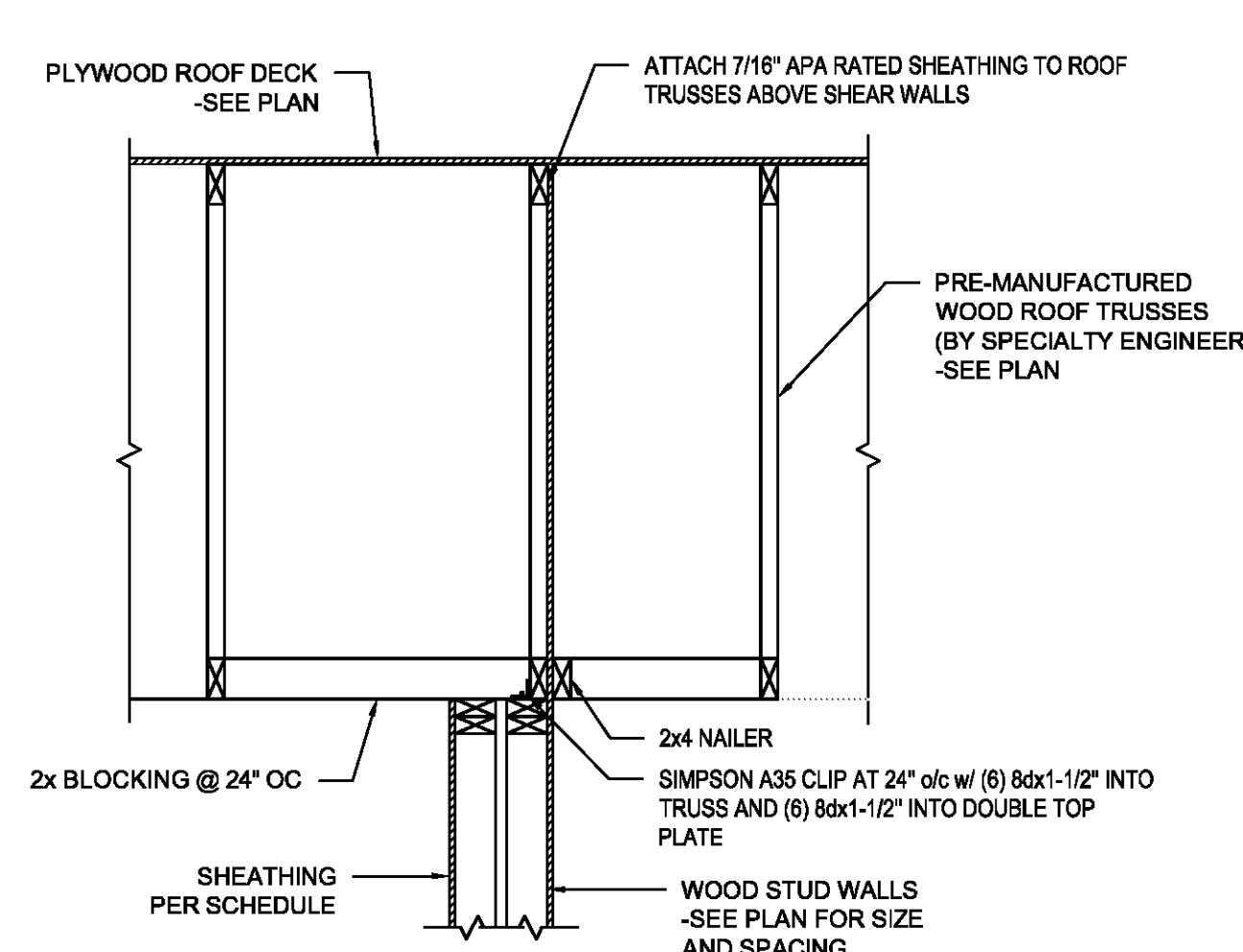
6 SECTION AT GABLE END ROOF OVER EXT BALCONY

S4.3 SCALE: 3/4" = 1'-0"



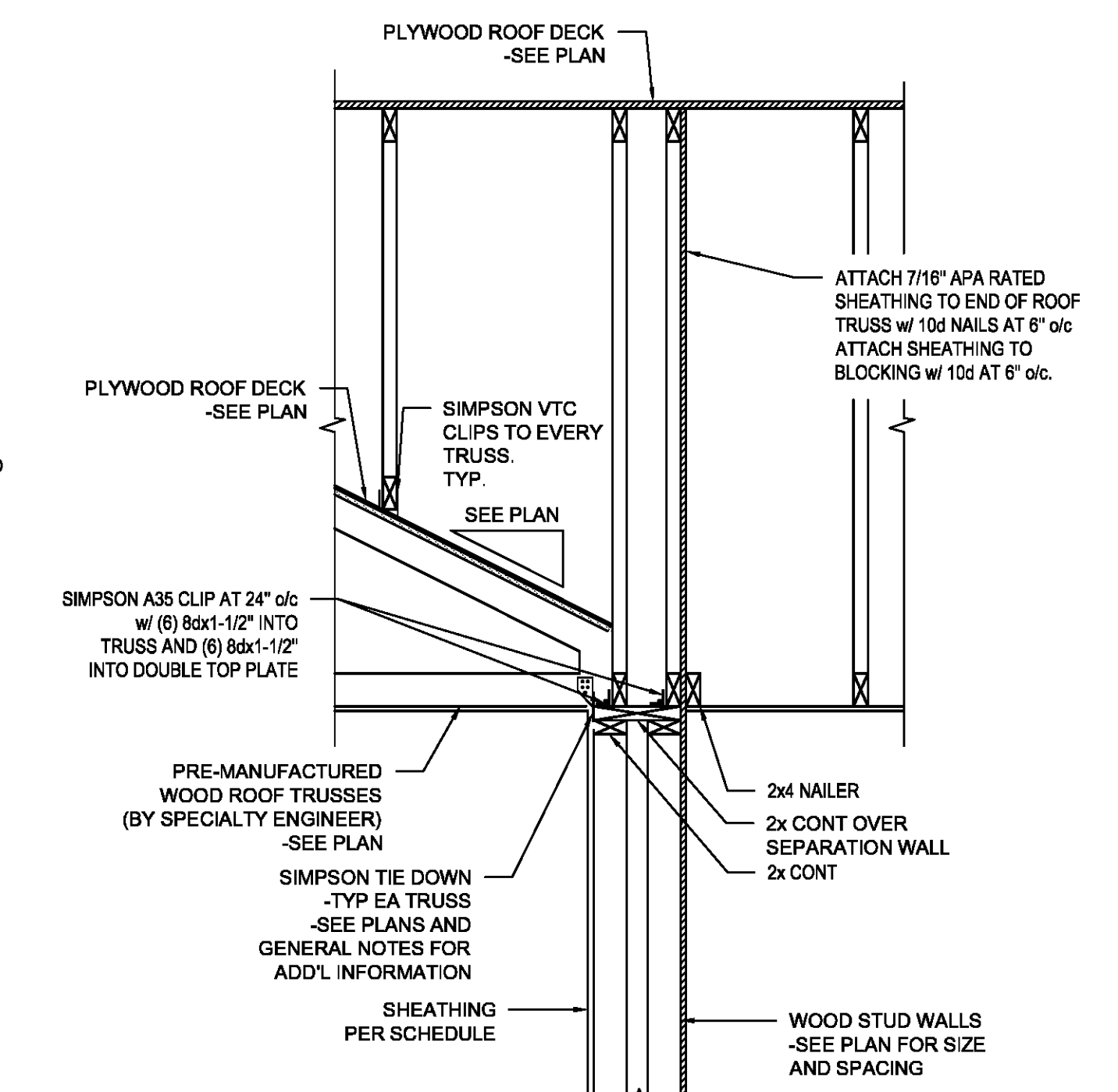
1 SECTION AT INTERIOR SHEAR WALL PERPENDICULAR TO ROOF TRUSS

S4.3 SCALE: 3/4" = 1'-0"



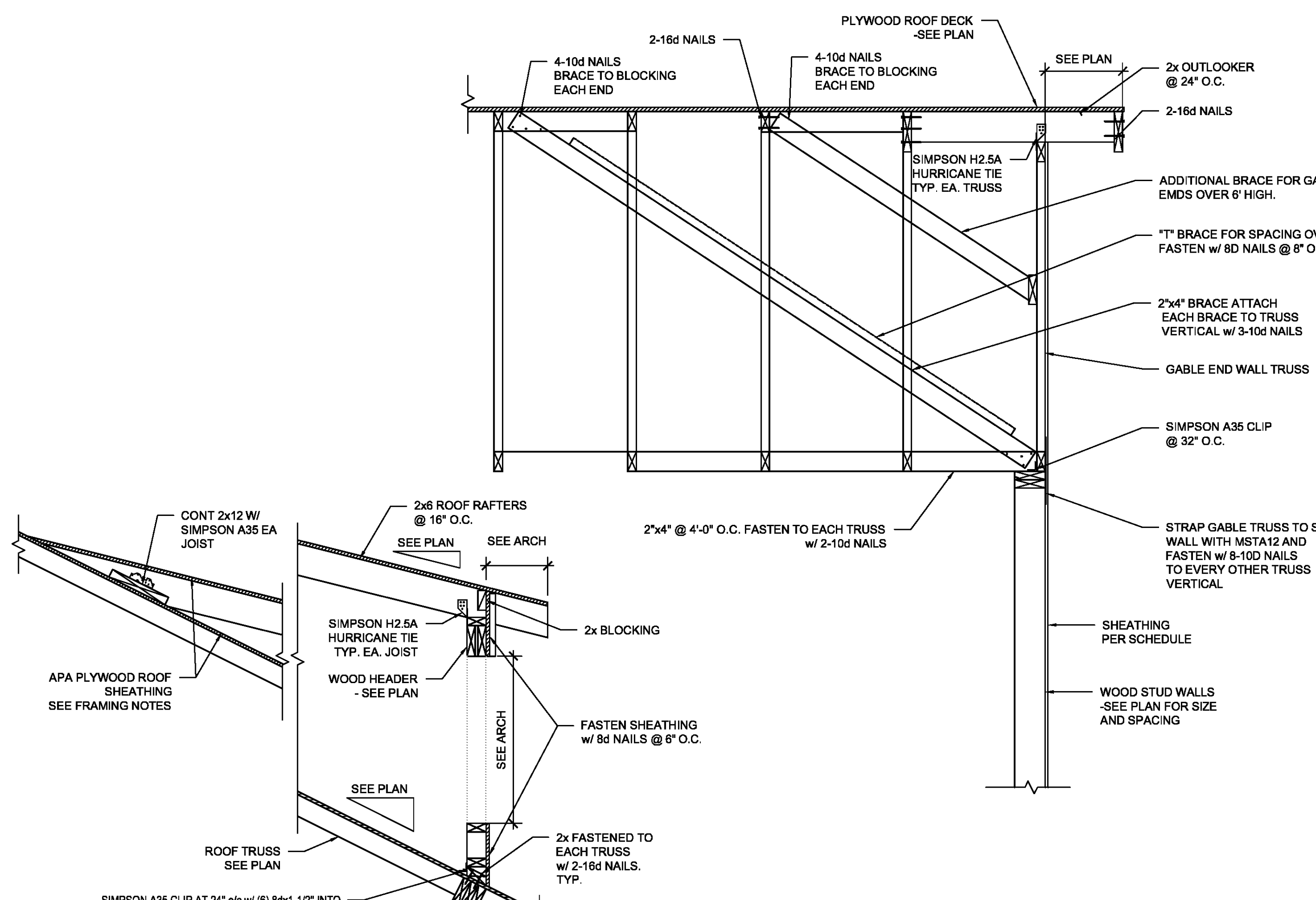
3 SECTION AT INTERIOR SHEAR WALL PARALLEL TO ROOF TRUSS

S4.3 SCALE: 3/4" = 1'-0"



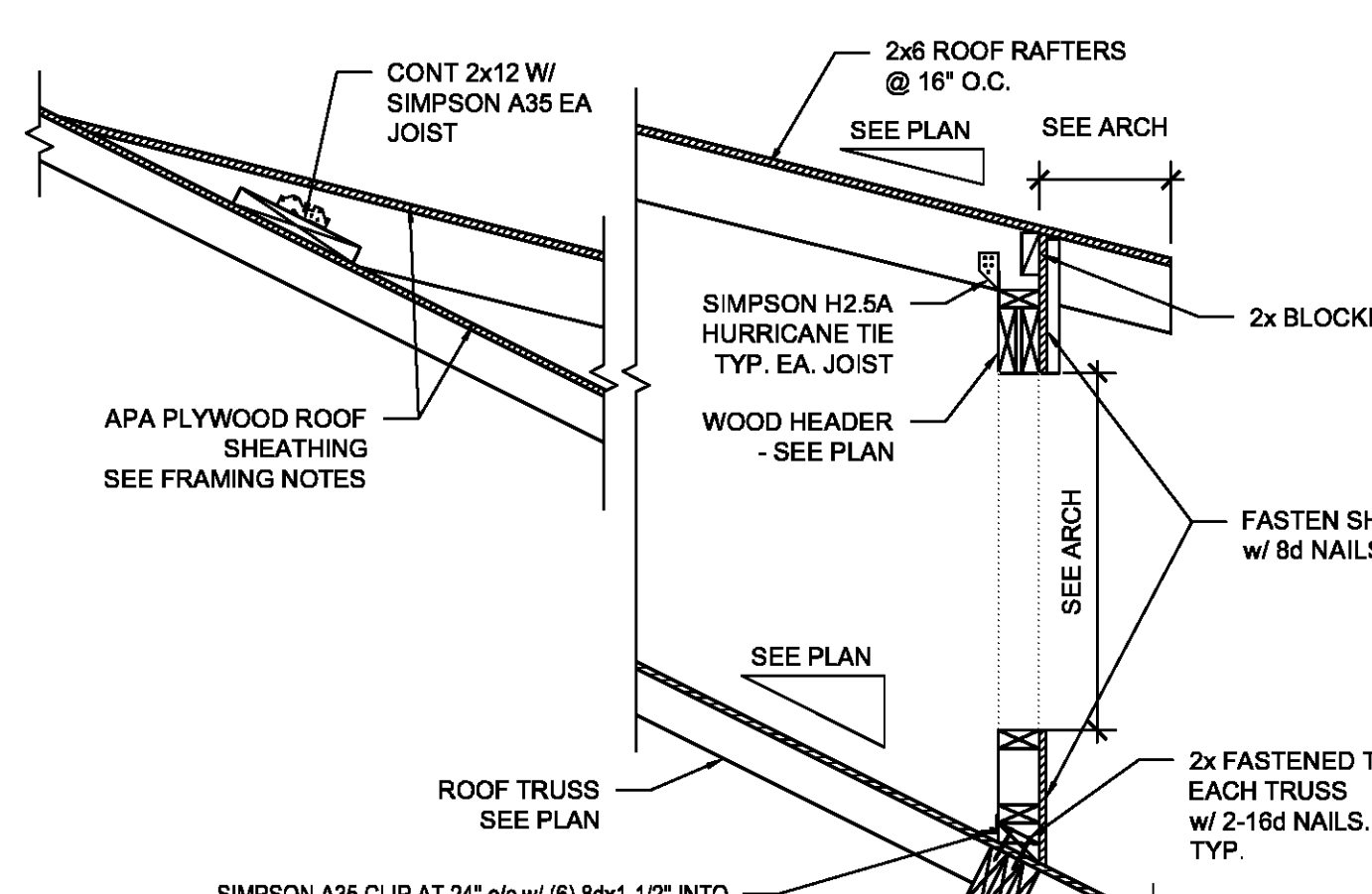
4 SECTION AT INTERIOR SHEAR WALL PARALLEL & PERP TO ROOF TRUSS

S4.3 SCALE: 3/4" = 1'-0"



8 GABLE END WALL SECTION

S4.3 SCALE: 3/4" = 1'-0"



12 ROOF DORMER SECTION

S4.3 SCALE: 3/4" = 1'-0"

**PHILLIPS**

Phone 770.394.1616 Fax 770.394.1314

CONSULTANT

**PHILLIPS**  
STRUCTURAL STUDIO

400 PERIMETER CENTER TERRACE  
SUITE 650 - NORTH  
ATLANTA, GA 30346  
770.394.1616

SEAL

ISSUE & REVISION RECORD

#	DATE	DESCRIPTION
	07/07/14	BID SET

PROJECT

**SPRINGS AT FREMAUX TOWN CENTER**  
SLIDELL, LA

CLIENT

CONTINENTAL PROPERTIES  
CONTINENTAL 294 FUND LLC  
W134, N6975 EXECUTIVE PARKWAY  
MENOMONEE FALLS, WI 53051  
262.502.5500 \* FAX 262.502.5522

PHILLIPS JOB NUMBER 1333104

ISSUE DATE 07/07/14

DRAWN BY/CHECKED BY IS/TV

DRAWING TITLE **WOOD ROOF FRAMING SECTIONS**

SHEET NUMBER **S4.3**

NORTH TERRACES  
400 PERIMETER CENTER TERRACE  
SUITE 650  
ATLANTA, GEORGIA 30346