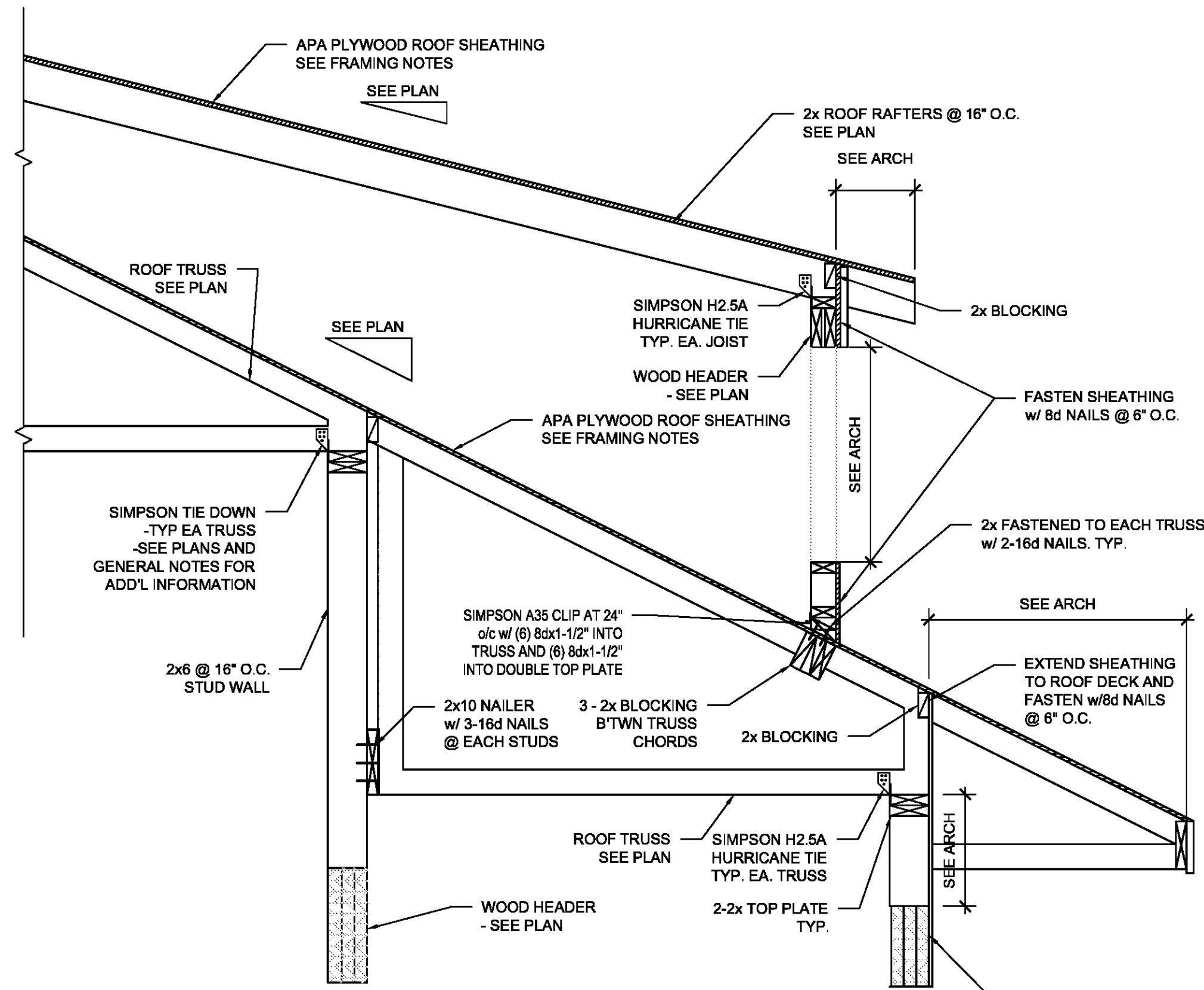
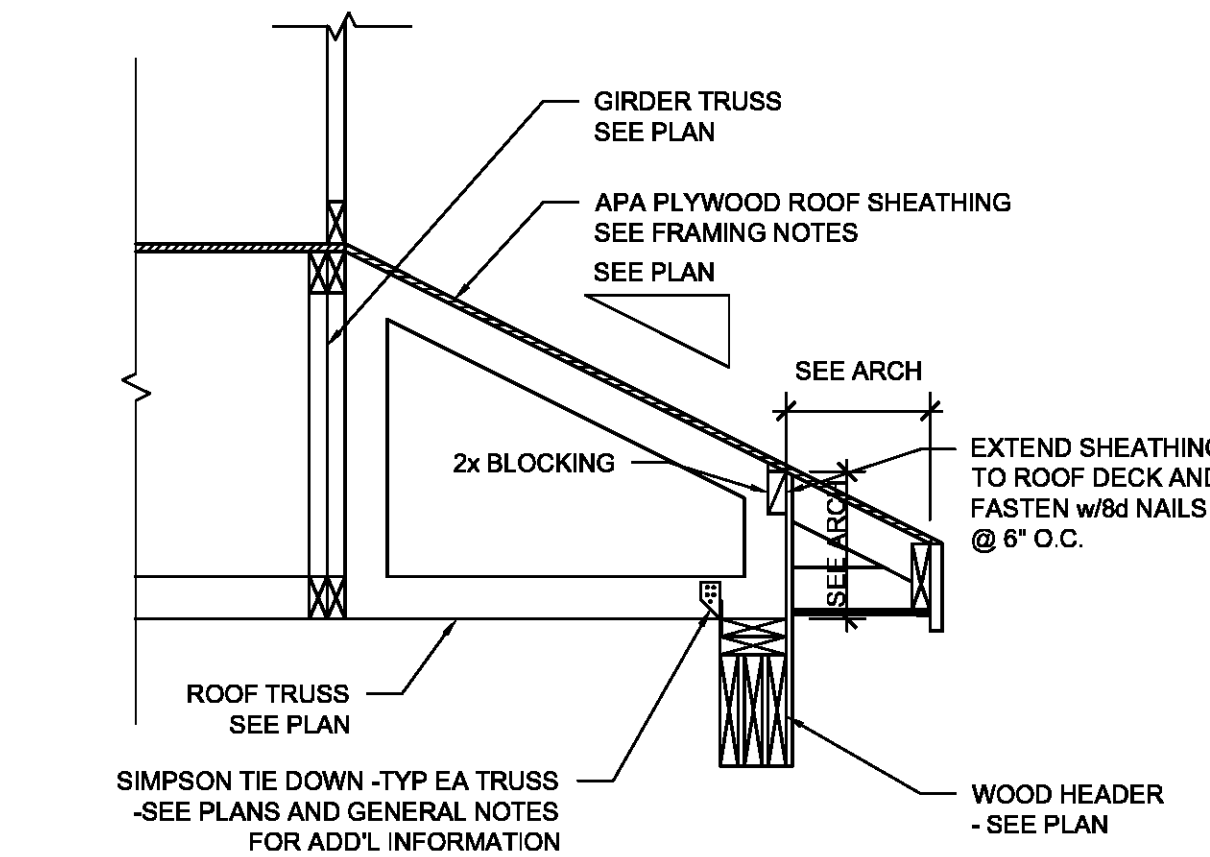


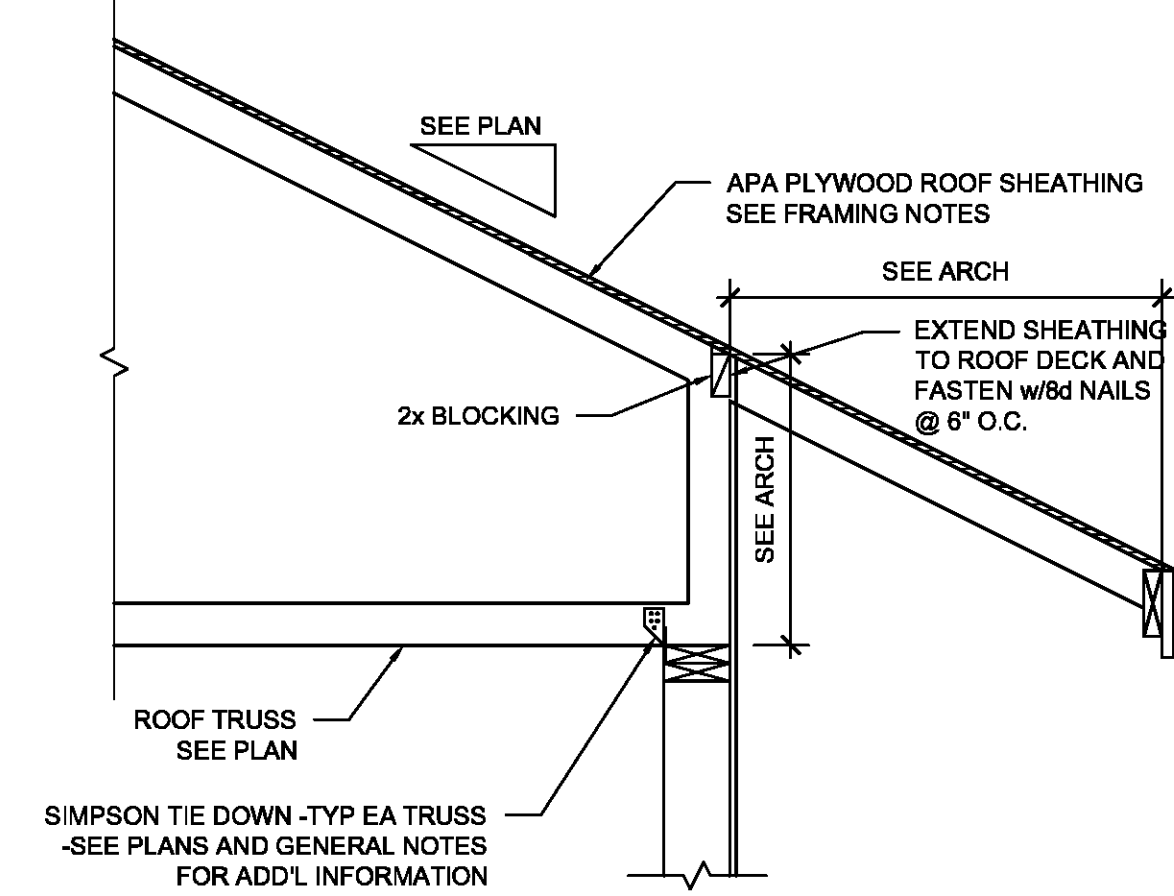
1 EXTERIOR WALL SECTION
SCALE: 3/4" = 1'-0"



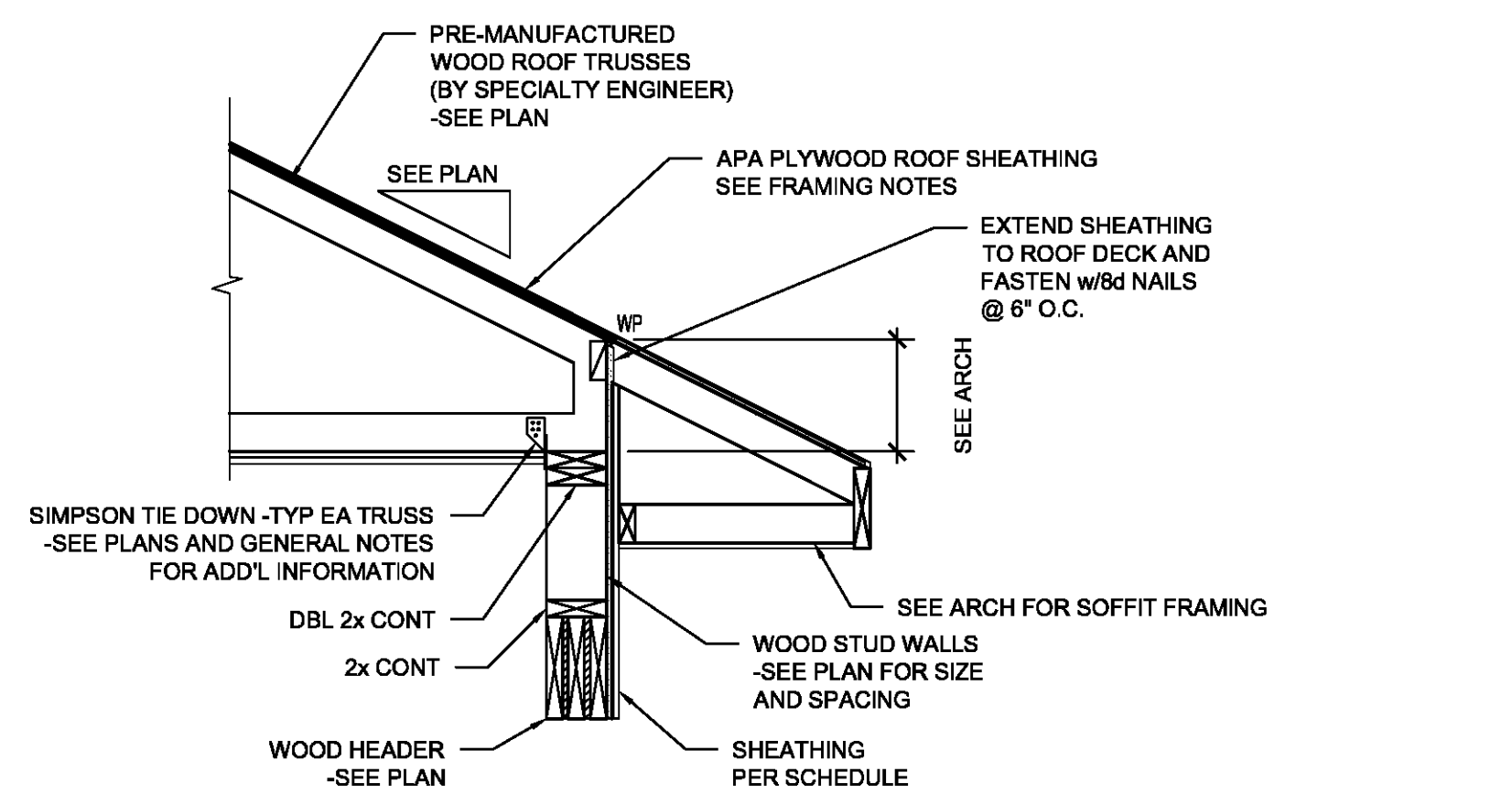
5 EXTERIOR WALL SECTION
SCALE: 3/4" = 1'-0"



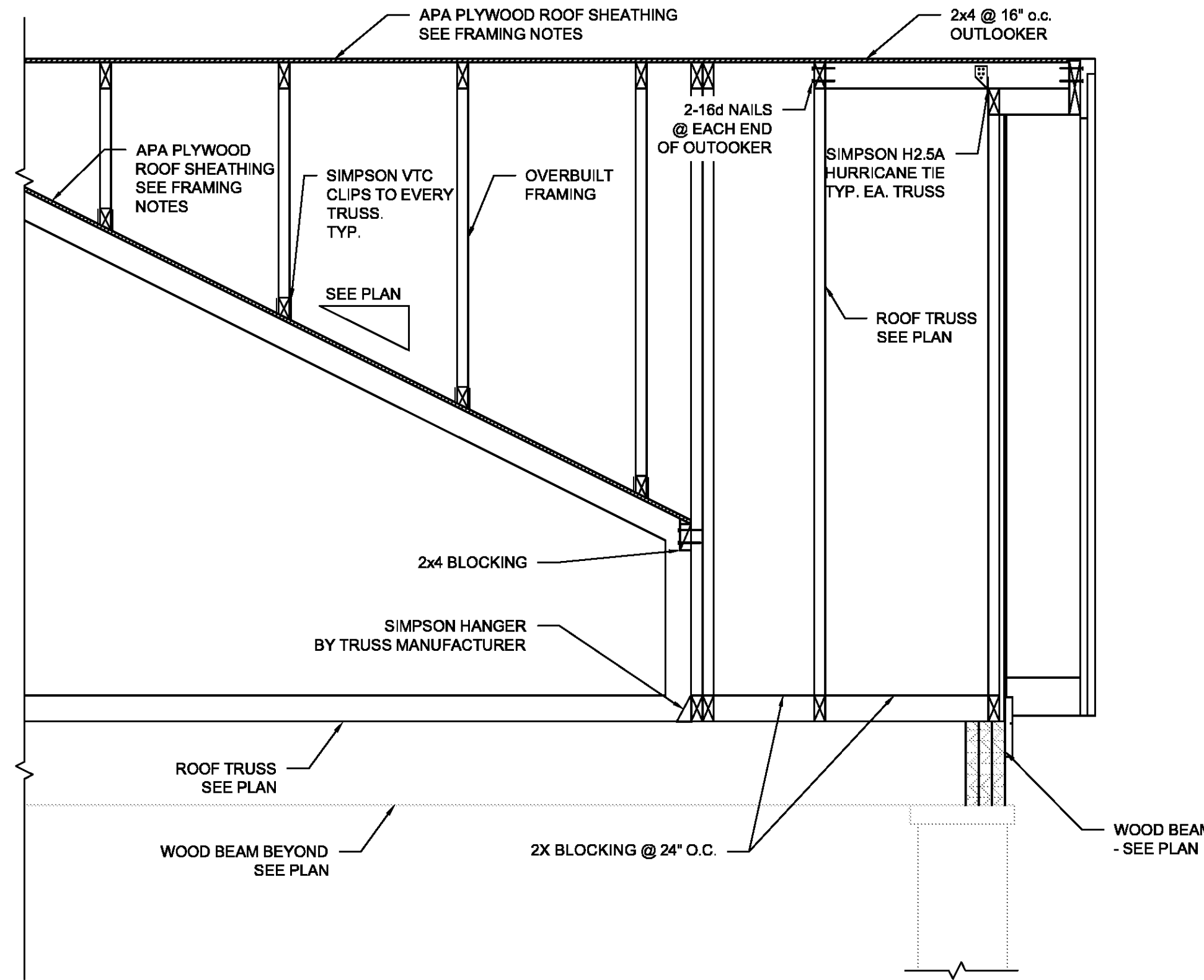
2 EXTERIOR WALL SECTION
SCALE: 3/4" = 1'-0"



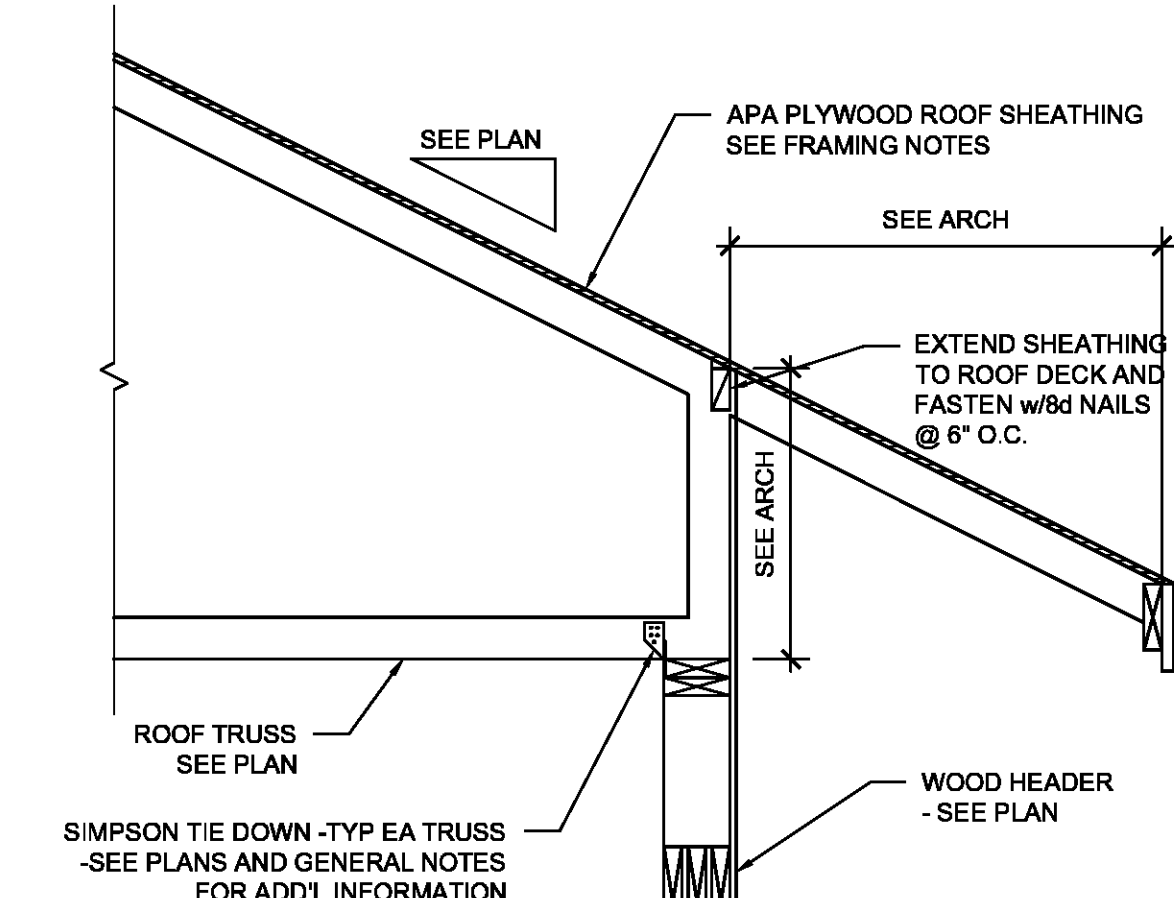
3 EXTERIOR WALL SECTION
SCALE: 3/4" = 1'-0"



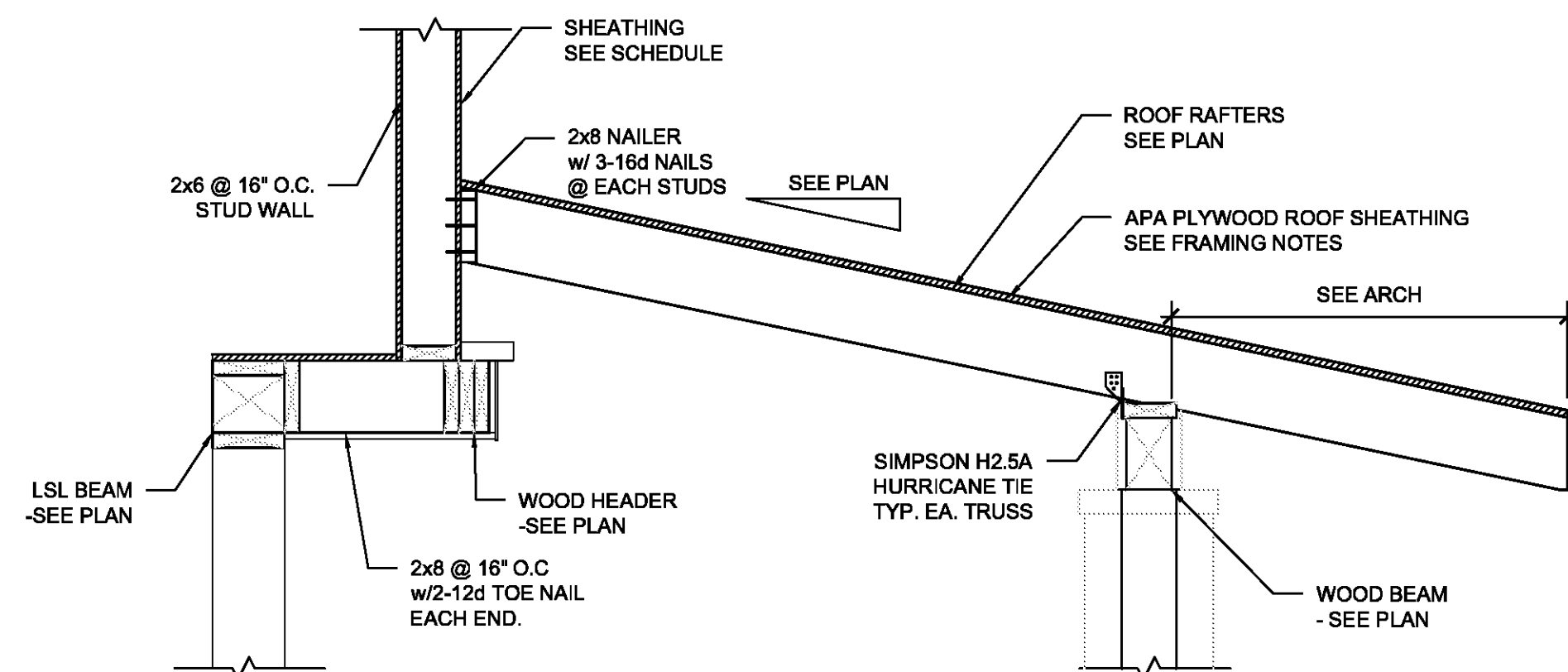
8 TOWER ROOF SECTION
SCALE: 3/4" = 1'-0"



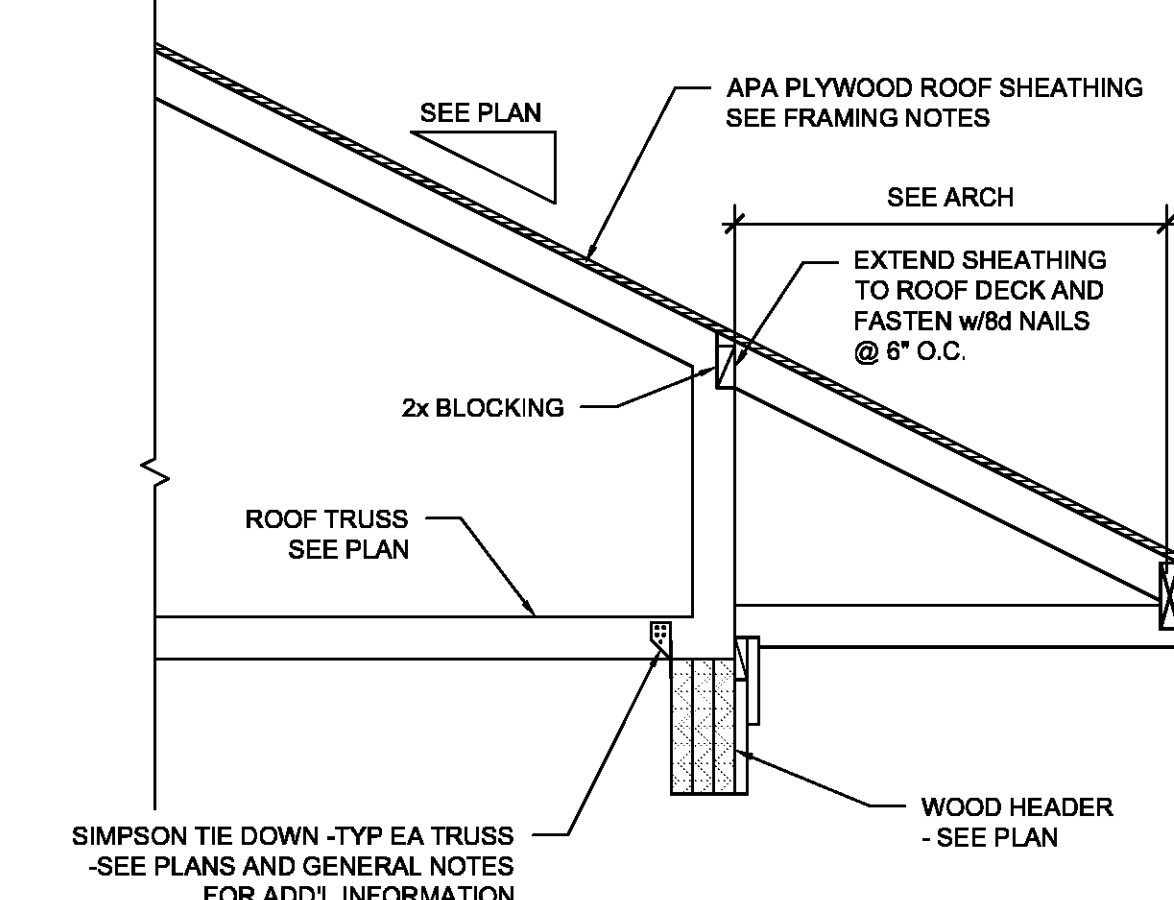
6 CLUBHOUSE ENTRANCE SECTION
SCALE: 3/4" = 1'-0"



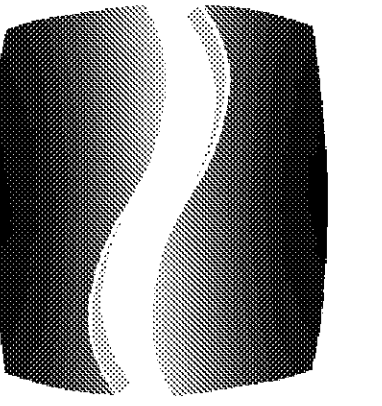
4 EXTERIOR WALL SECTION
SCALE: 3/4" = 1'-0"



9 TOWER SECTION
SCALE: 3/4" = 1'-0"



4 EXTERIOR HEADER SECTION
SCALE: 3/4" = 1'-0"



PHILLIPS

Phone 770.394.1616 Fax 770.394.1314

CONSULTANT



PHILLIPS

STRUCTURAL STUDIO
400 PERIMETER CENTER TERRACE
SUITE 650 - NORTH
ATLANTA, GA 30346
770.394.1616

SEAL

ISSUE & REVISION RECORD

#	DATE	DESCRIPTION
	07/07/14	BID SET

This document is the property of Phillips Partnership, PC and is intended for use only on the project or projects indicated herein. All rights reserved. This document may not be reproduced without the prior written consent of Phillips Partnership, PC.

PROJECT

**SPRINGS AT
FREMAUX
TOWN CENTER**
SLIDELL, LA

CLIENT

CONTINENTAL PROPERTIES
CONTINENTAL 294 FUND LLC
W134 N0675 EXECUTIVE PARKWAY
MENDOTA, ILL. WI 53051
262.502.5500 * FAX 262.502.5522

PHILLIPS JOB NUMBER 1333104

ISSUE DATE 07/07/14

DRAWN BY/CHECKED BY IS/TV

DRAWING TITLE

**CLUBHOUSE ROOF
FRAMING SECTIONS**

SHEET NUMBER

S4.4

NORTH TERRACES
400 PERIMETER CENTER TERRACE
SUITE 650
ATLANTA, GEORGIA 30346