

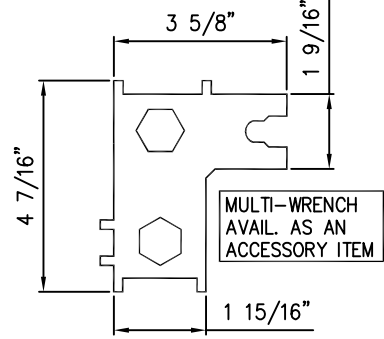
**NOTE:**  
Due to our continuing product improvement program, Roman Fountains reserved the right to change the specifications without notice.



**OPERATING DATA:**

NOISE: \_\_\_\_\_ Low to Medium  
 VISIBILITY: \_\_\_\_\_ Medium  
 SPLASH/MIST: \_\_\_\_\_ Medium  
 WIND STABILITY: \_\_\_\_\_ Low  
 AERATION QUALITY: \_\_\_\_\_ High

- NOTES:**
1. SCREENING AT PUMP (.093") TO MINIMIZE CLOGGING POTENTIAL IS RECOMMENDED.
  2. GREATER SUBMERGENCE CREATES BROADER/FULLER DISPLAY, BUT REQUIRES GREATER GPM AND PRESSURE.




TECHNICAL AND HYDRAULIC DATA												
DIMENSIONS				SPRAY HEIGHT/PERFORMANCE								
MODEL NO.	DIM. 'A'	DIM. 'B'	(F) N.P.T.	*SUBM. (INCHES)	APPROX. SPRAY HEIGHT	8"	12"	18"	24"	30"	36"	42"
RPSS-100 (Submerged)	2-1/16"	2-5/8"	1"	* 12"	GPM	-	-	-	-	-	-	-
					HEAD (ft.)	-	-	-	-	-	-	-
				6"	GPM	22	25	34	44	52	55	57
					HEAD (ft.)	14'	20'	30'	38'	46'	52'	60'
				4"	GPM	18	21	29	36	42	49	52
					HEAD (ft.)	8'	12'	19'	26'	35'	40'	44'
				3"	GPM	16	19	23	29	42	45	48
					HEAD (ft.)	7'	11'	16'	23'	28'	34'	40'

\*CONTACT FACTORY FOR DATA @ 12" SUBMERGENCE

**SPECIFICATION DATA:** Flush "Sunshelf" Nozzle, machined brass and bronze construction, machined brass jet orifices, recessed removable cap for easy cleaning, bonding lug, and 1" (F) N.P.T. threaded connection.  
**DESIGN/APPLICATION DATA:** When submerged, the RPSS-100 nozzle will produce a vertical mound of water using concentric rows of precision orifices to push through the shallow water.  
**NOTE:** 'Sunshelf' nozzles may generate wave turbulence in small, confined pools, requiring a dampening device (available as an accessory item); see catalog data sheet 1.56; consult factory.

© COPYRIGHT 2014 ROMAN FOUNTAINS  
ALL RIGHTS RESERVED

TYP. ( ) ITEM # \_\_\_\_\_

 <b>roman fountains</b> <sup>®</sup> <i>America's Fountain Company!™</i>	<b>ROMAN FOUNTAINS CORP.</b> P.O. Drawer 10190 Albuquerque, N.M. 87184 Phone #: (800) 794-1801 Fax #: (505) 343-8086 <a href="http://www.romanfountains.com">http://www.romanfountains.com</a>			<b>Revisions:</b> No. Date By 6 01/31/08 FG 7 01/31/10 FG 8 01/31/11 FG 9 08/23/11 FG 10 01/31/12 FG		<b>Flush "Sunshelf"</b> <b>Nozzle</b>	
	Drawn By: F.J.G. Checked By: J.M. Scale: None Date: 09/14/01		Model No. <b>RPSS-100</b> Drawing No. <b>1.11a</b>				