



894 ROBERT BOULEVARD  
SLIDELL, LOUISIANA 70458  
PH. 985-643-2427  
FAX 985-643-2691  
RROTOL@RROTOLCONSULTANTS.COM

**SPRINGS AT FREMAUX  
TOWN CENTER**  
SLIDELL LOUISIANA

Copyright 2014 Rotolo Consultants Inc.  
These drawings or parts thereof, may not be reproduced in any form, by any method, for any purpose, without prior written consent from Rotolo Consultants Inc.  
Contact: Rod Rotolo 985-643-2427  
Project No: 82-0000-00-LA

Revisions:		
No.	Date:	Description:
01	5-11-2015	REVISED PER BOH

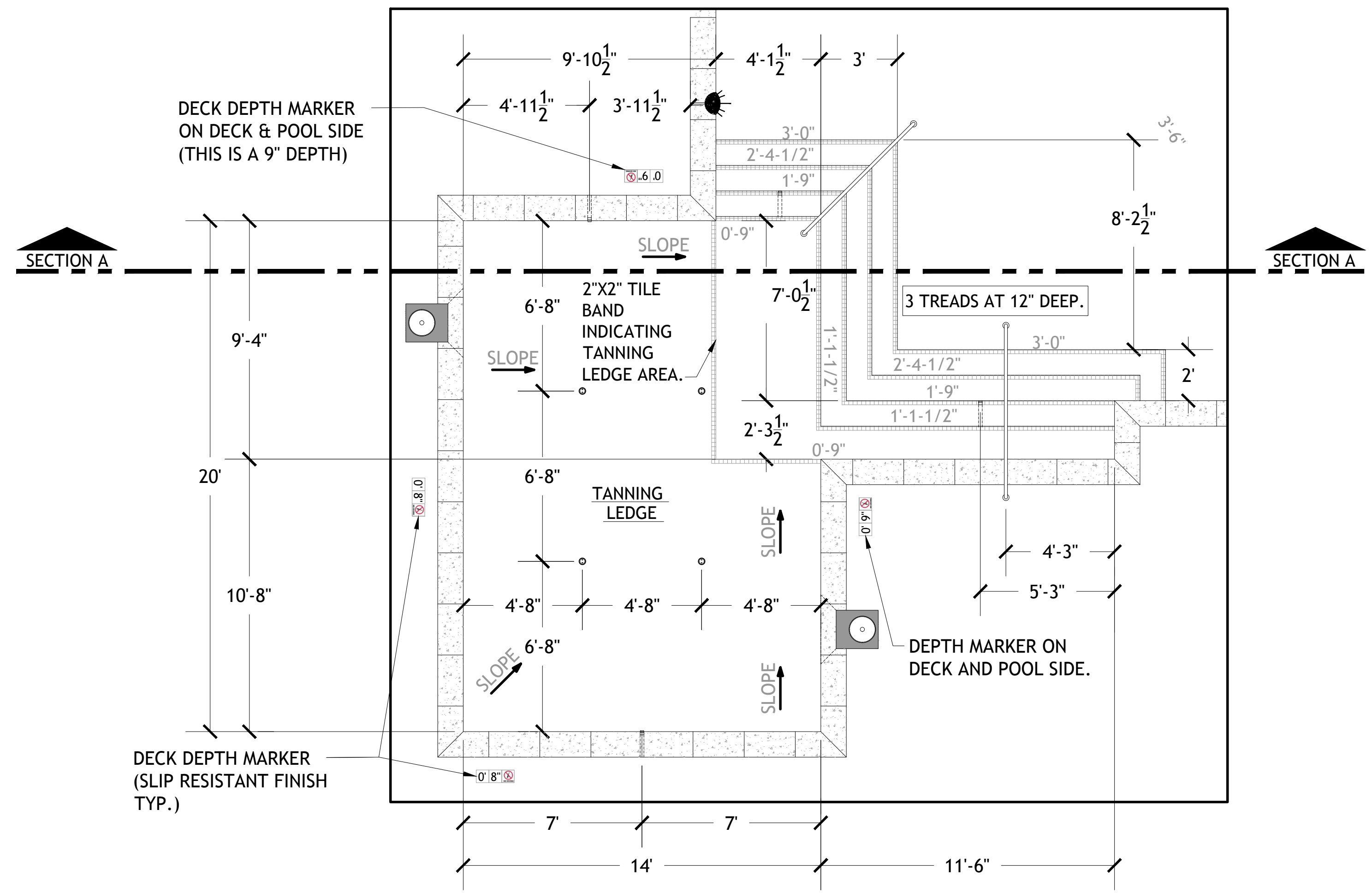
Date: 3-3-2015  
Drawn: TJH  
Checked: KD  
Sheet Title:

**SWIMMING POOL  
LAYOUT PLAN  
&  
NOTES**

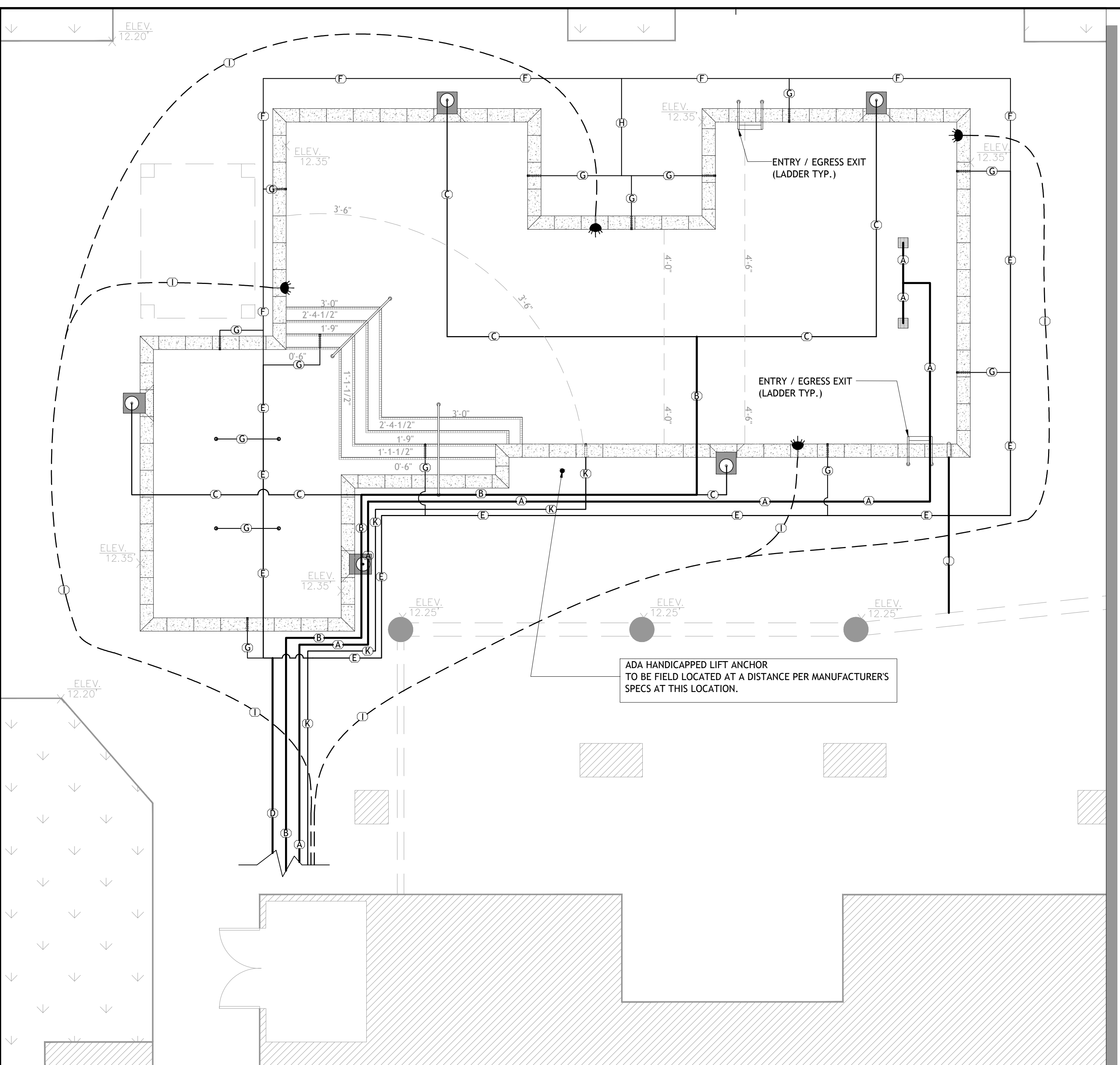
Drawing No.

**PL-1.1**

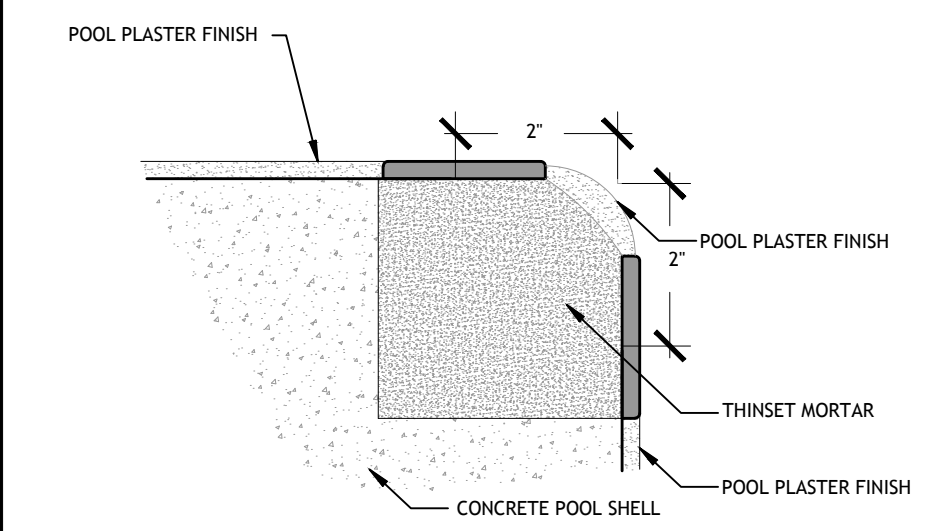
2 of 4



**05 TANNING SHELF AND STAIRS**  
PL-1.1 SCALE: NTS



**01 POOL LAYOUT PLAN**  
PL-1.1 SCALE: 3/16\"/>



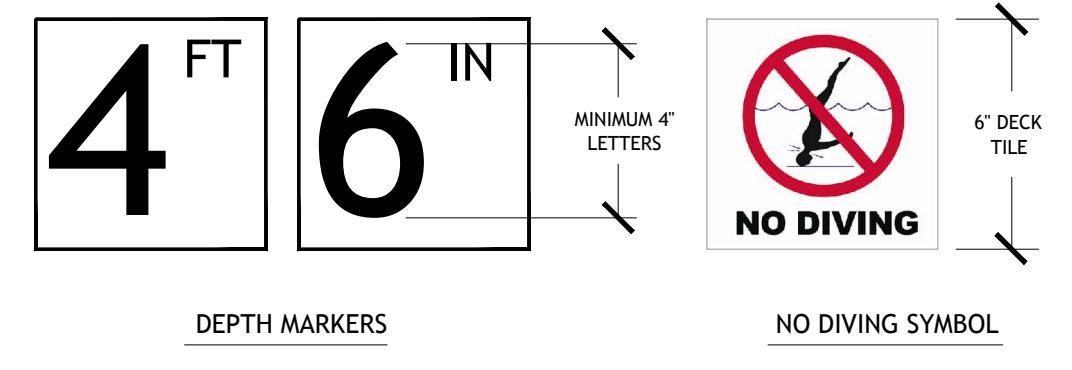
**02 CONTRASTING STAIR NOSING TILE**  
PL-1.1 SCALE: NTS

**SYMBOL LEGEND**

	SKIMMER
	SKIMMER WALL RETURN INLET - EYEBALL FITTING
	POOL LIGHT
	LADDER WITH RUNGS AND GRAB RAILS
	FLOOR RETURN ASSEMBLY
	AUTOFILL - EYEBALL FITTING
	HAND RAIL

**PIPE IDENTIFICATION LEGEND**

IDENTIFICATION	PLAN ID	SIZE	TYPE	FLOW RATE	VELOCITY
MAIN DRAIN SUCTION	A	3.0"	SCH 40 PVC	109 GPM	4.95 FPS
SKIMMER SUCTION	B	3.0"	SCH 40 PVC	109 GPM	4.95 FPS
SKIMMER SUCTION	C	2.0"	SCH 40 PVC	58 GPM	2.86 FPS
INLET RETURN	D	3.0"	SCH 40 PVC	109 GPM	4.95 FPS
INLET RETURN	E	2.0"	SCH 40 PVC	61.42 GPM	6.27 FPS
INLET RETURN	F	1.5"	SCH 40 PVC	25.65 GPM	4.66 FPS
INLET RETURN	G	1.5"	SCH 40 PVC	6.41 GPM	1.16 FPS
INLET RETURN	H	1.5"	SCH 40 PVC	19.24 GPM	3.49 FPS
ELECTRICAL CONDUIT	I	1.0"	CONDUIT	N/A	N/A
OVERFLOW	J	3.0"	SCH 40 PVC	N/A	N/A
SUPPLY RETURN	K	2.0"	SCH 40 PVC	N/A	N/A
CHLORINE SAMPLE	L	2.0"	SCH 40 PVC	N/A	N/A



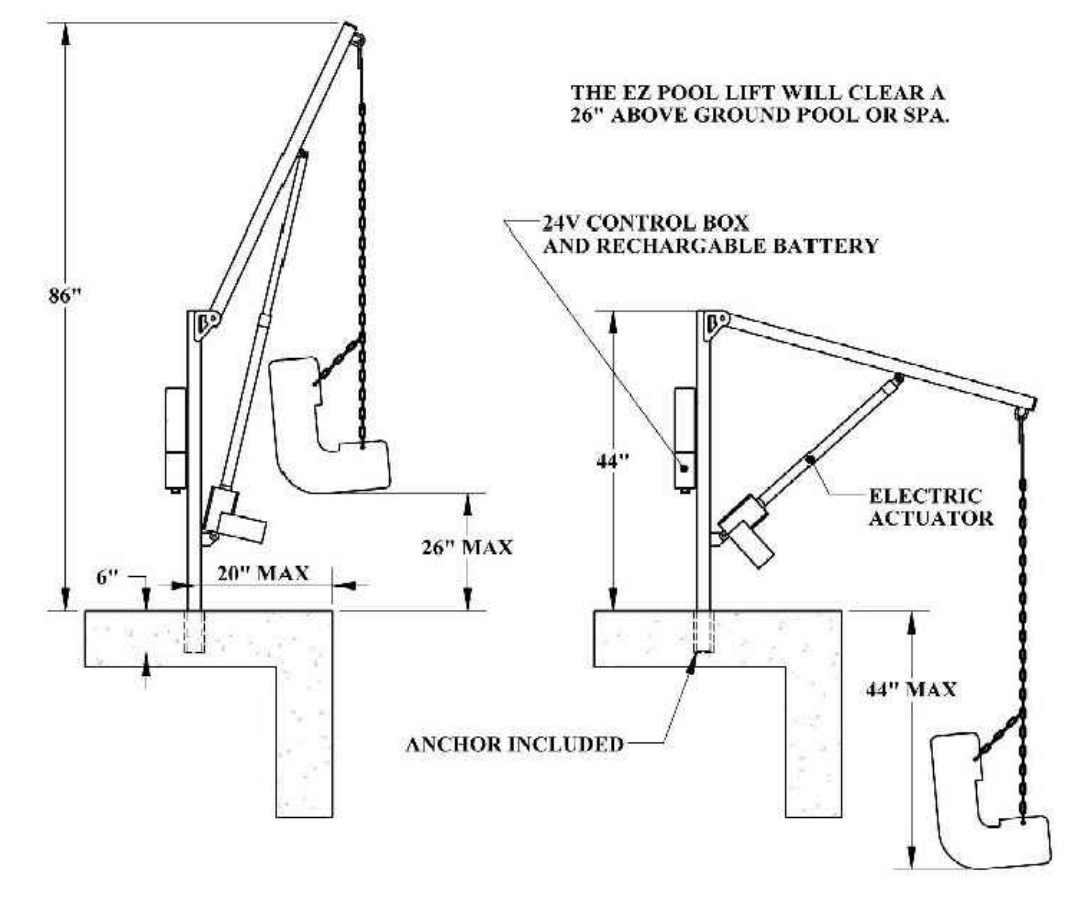
**03 POOL MARKER DETAILS**  
PL-1.1 SCALE: NTS

**MARKER REQUIREMENTS:**

- DEPTH MARKERS BOTH SHOWING FEET AND INCHES
- "NO DIVING" SYMBOL MARKER WITH EACH DEPTH MARKER.

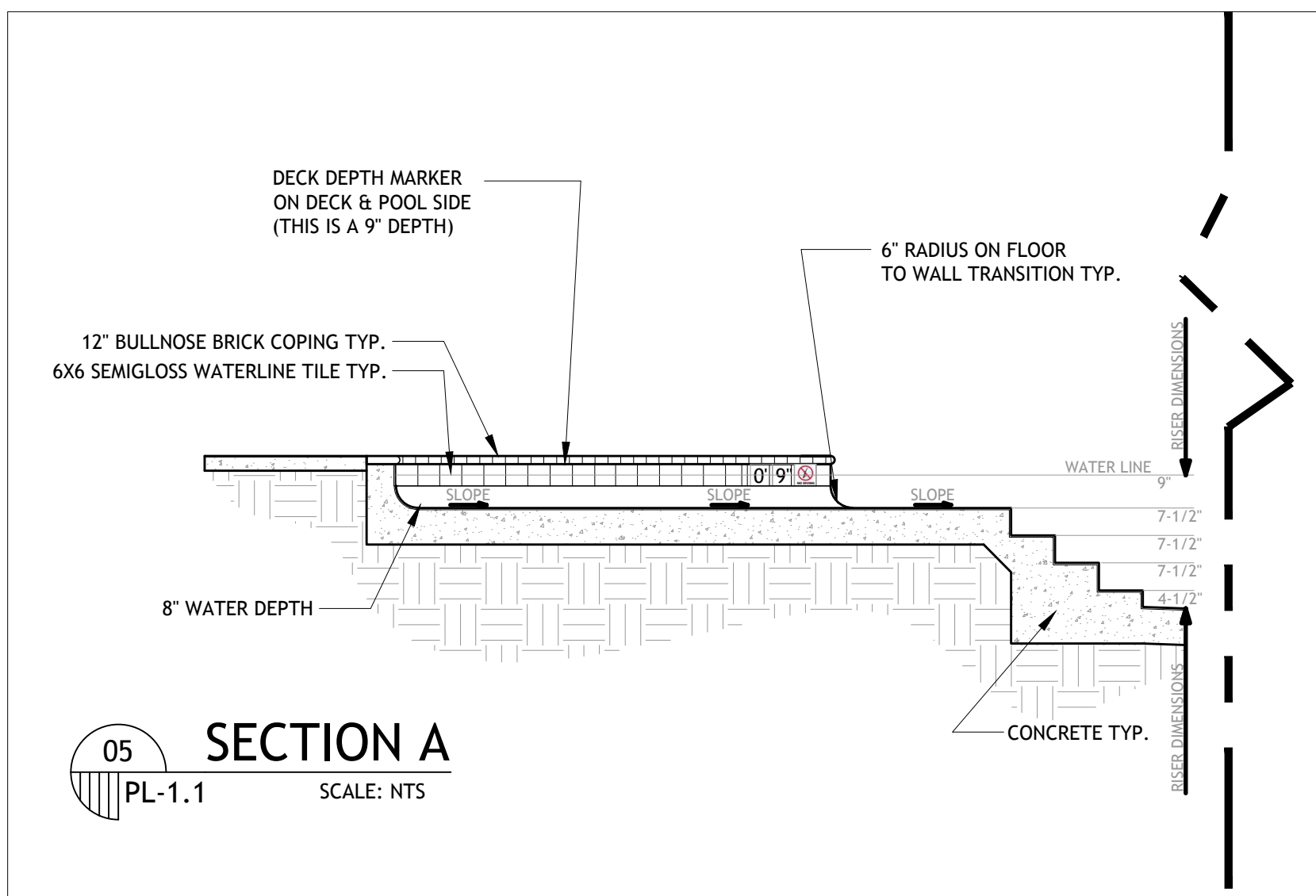
**NOTES:**

- DEPTH MARKERS SHALL BE PLACED ON THE DECK WITH SPACING NOT TO EXCEED 25'-0", POINTS OF CHANGE IN SLOPE, AND TO ALSO PLACE A CORRESPONDING DEPTH MARKER IN DUPLICATE ON THE POOL WALL.
- DECK TILES TO BE WITHIN 18" OF THE POOL WATER SURFACE
- DECK TILES TO BE POSITIONED TO BE READ WHILE STANDING ON THE DECK FACING THE WATER.
- DEPTH MARKERS TO BE IN ENGLISH.
- NUMERICAL COLOR OF LETTERING TO BE BLACK, ON WHITE BACKGROUND.
- "NO DIVING" INTERNATIONAL SYMBOL MARKER TO BE PLACED AT EVERY LOCATION WHERE A DEPTH MARKER IS LOCATED.
- DECK DEPTH MARKERS TO BE SLIP RESISTING ACCORDING TO LAC 51:XIV.701.4.



**04 TYP ADA POOL LIFT DET.**  
PL-1.1 SCALE: NTS

NOTE: ADA LIFT TO BE FIELD LOCATED AS INDICATED ON PLAN.



**05 SECTION A**  
PL-1.1 SCALE: NTS