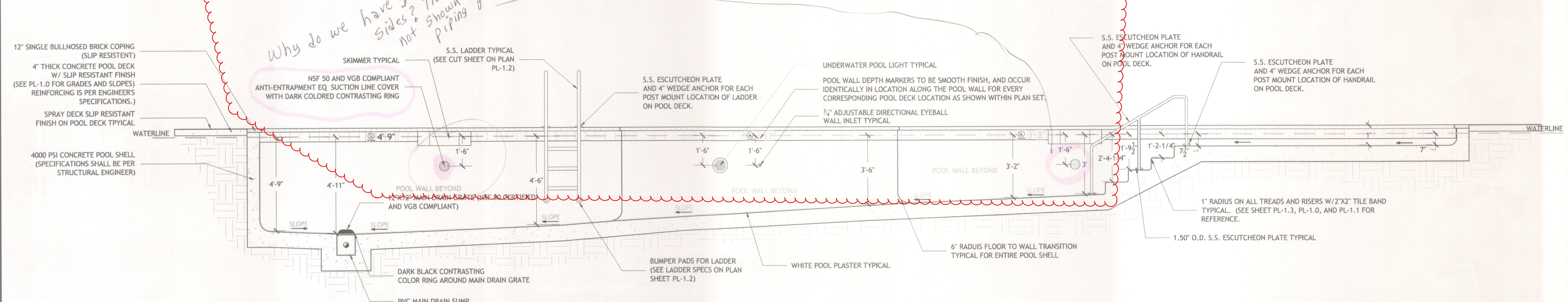
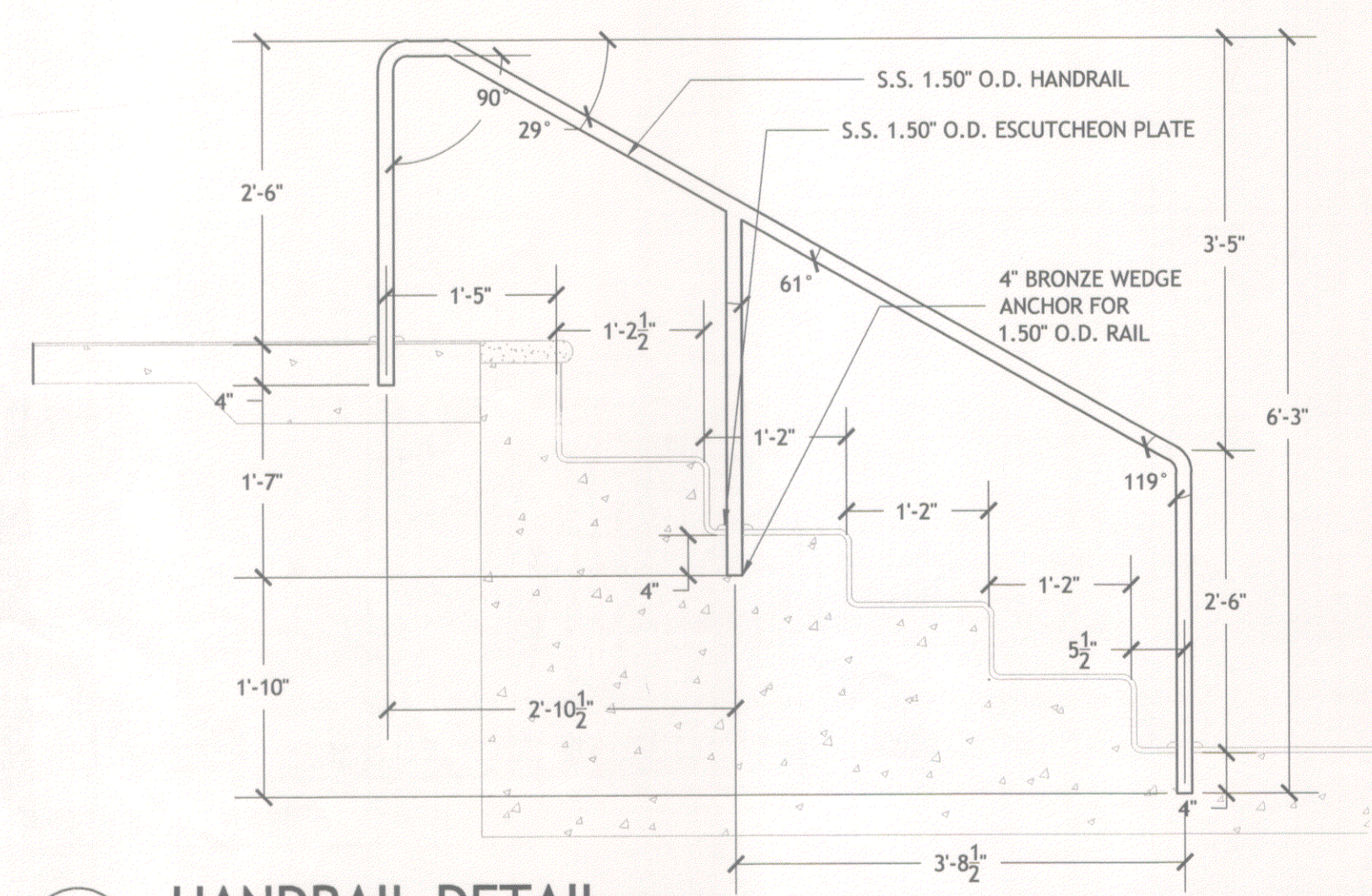


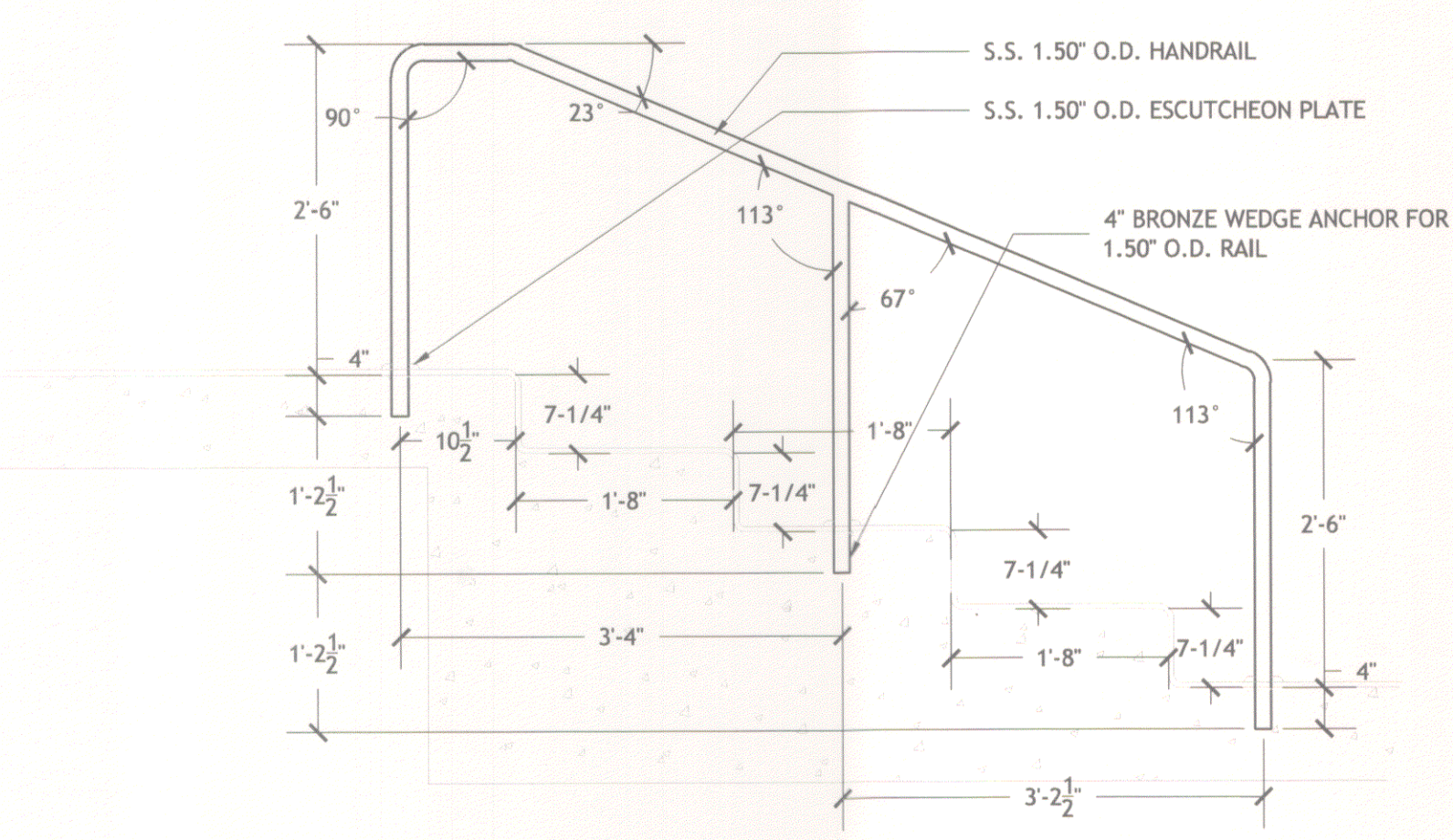
01 EQUIPMENT ROOM LAYOUT
 PL-1.2 SCALE: 1/2" = 1'-0"



03 POOL CROSS SECTION
 PL-1.2 SCALE: 3/8" = 1'-0"



04 HANDRAIL DETAIL
 PL-1.2 SCALE: 3/4" = 1'-0"



05 HANDRAIL DETAIL
 PL-1.2 SCALE: 3/4" = 1'-0"

894 ROBERT BOULEVARD
 SLIDELL, LOUISIANA 70458
 PH: 985-643-2427
 FAX 985-643-2691
 ROTOLO@ROTOLOCONSULTANTS.COM

SPRINGS AT RIVER CHASE
 CLUBHOUSE SWIMMING POOL
 1776 CONTINENTAL DRIVE COVINGTON, LOUISIANA 70433 - ST. TAMMANY PARISH

Copyright 2016 © Rotolo Consultants Inc.
 These drawings or parts thereof, may not be reproduced in any form, by any method, for any purpose, without prior written consent from Rotolo Consultants Inc.
 Contact: Rod Rotolo 985.643.2427
 Project No: 02-16000-LA

Revisions:

No.	Date	Description

Date: 1/11/2016
 Drawn: T.J.H.
 Checked: MR

Sheet Title:
EQUIPMENT ROOM LAYOUT AND SECTIONS

Drawing No.
PL-1.2