

6" ROUND HOCKEY PUCK SUMPLESS SUCTION OUTLET COVER, HYDROAIR/ITT REPLACEMENT

VGB Series

The AquaStar line of suction outlet covers, compliant with the Virginia Graeme-Baker Pool and Spa Safety Act (ANSI/APSP 16-2011 and NSF/ANSI 50-2009a) ←

FEATURES

For single or multiple drain use in gunite, steel, fiberglass and tile pools and spas (see installation instructions)

Single – sumpless

Floor/wall (2" pipe): 224 GPM at 6.3 fps

Floor (1½" pipe): 177 GPM at 5.9 fps

Wall (1½" pipe): 122 GPM at 3.4 fps

Floor/wall: 53.3 GPM at 1.5 fps

Floor/wall: 35.5 GPM at 1.0 fps

10.4 square inch opening

Trademarked VGB compliance button easily identifies VGB 2008 compliant cover from on deck and underwater

#316 stainless steel screws

Manufactured from superior UV-resistant engineered polymers

All components meet or exceed ANSI/APSP 16-2011 and NSF/ANSI 50-2009a national standards and ASTM G154 UV testing exposure

See next page for eight adapter plates sold separately, available for sumpless connections to 1022s, 1.5" female adapters, 1.5" and 2" inside and outside slip and threads as well as existing HydroAir wall fittings #10-6015S and 10-6304S (both with brass inserts)

Replace every five years from the date of installation

25 per case

No sump required!



Part # 6HPxxx

STANDARD COLORS

6HPHA101 – White

6HPHA102 – Black

6HPHA103 – Light Gray

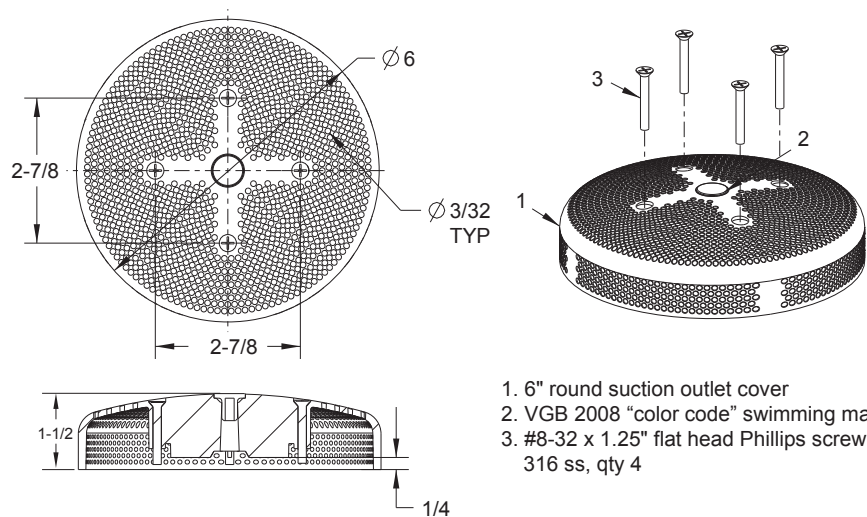
6HPHA104 – Blue

6HPHA105 – Dark Gray

6HPHA108 – Tan

Can replace MaxFlow covers used with p/n 6HA25T20Sxxx

VGB 2008 Compliant



Retrofits to Sta-Rite/Pentair #8011 and AquaStar #4RNDxxx equalizer

