

REVISIONS			
REV.	DESCRIPTION	DATE	APPROVED
0	INITIAL RELEASE	6/15/2010	D. CONN

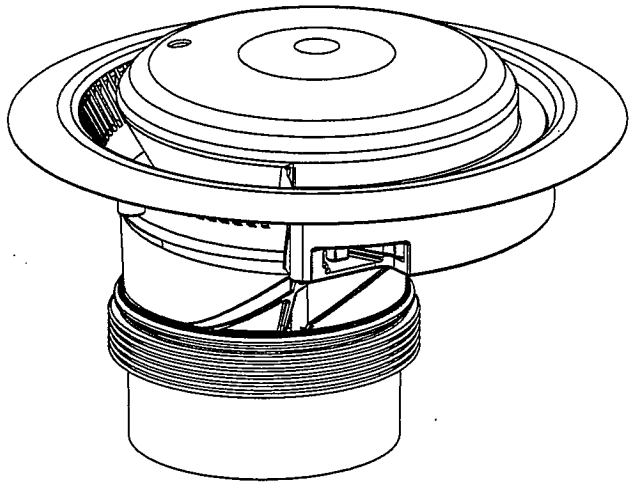
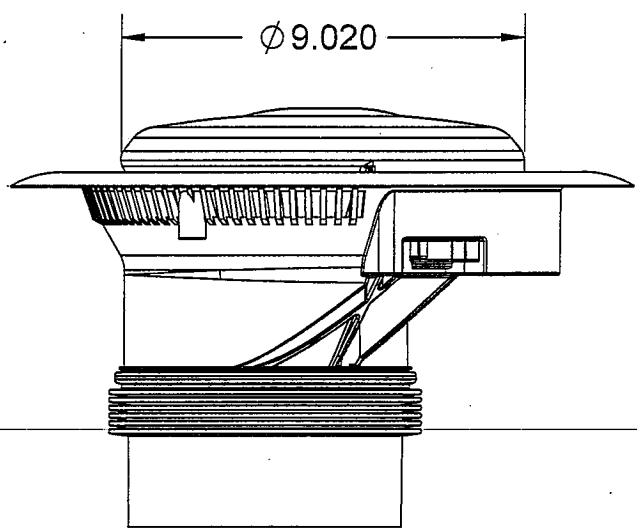
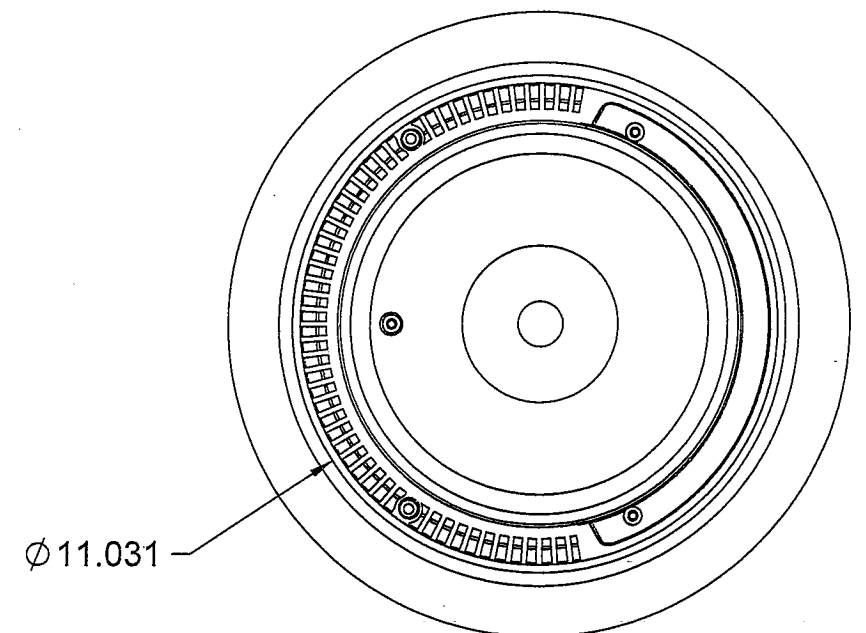
Contractor shall provide MDX3R pool drain with cover or other VGB Compliant pool drain with cover. All replacement covers must meet the minimum "Flow Opening" required below.

Area of "Flow Opening" required for 2" suction line in pool = 12.57 s.i.
 Area of "Flow Opening" required for 1.5" suction line in spa = 7.07 s.i.

AREA OF FLOW OPENING = 31.6 SQ IN
 VELOCITY @ 132 GPM = 1.340 FPS

FOR OTHER FLOW RATES,
 MDX3R VELOCITY (FPS) = GPM/98.52

Velocity for pool = 75 gpm/98.52 = 0.76 fps
 Velocity for spa = 30 gpm/98.52 = 0.30 fps



PROPRIETARY AND CONFIDENTIAL
 THE INFORMATION CONTAINED IN THIS DRAWING IS THE SOLE PROPERTY OF PARAMOUNT POOLS. ANY REPRODUCTION IN PART OR AS A WHOLE WITHOUT THE WRITTEN PERMISSION OF PARAMOUNT POOLS IS PROHIBITED.

		UNLESS OTHERWISE SPECIFIED: DIMENSIONS ARE IN INCHES TOLERANCES:		Powered by: Paramount <i>Pool Life. Simplified.</i>		295 EAST CORPORATE PLACE, SUITE 100 CHANDLER, AZ 85225 480-893-7607 FAX: 480-753-3397 1-800-621-5886 WWW.1PARAMOUNT.COM	
		1 DECIMAL .X ± .020 2 DECIMAL .XX ± .010 3 DECIMAL .XXX ± .005 ANGULAR: ±.500 DEG.		TITLE: VELOCITY CALCULATION			
		APPROVALS NAME DATE DRAWN S SHARP 6/15/2010 CHECKED <i>[Signature]</i> 6/15/10 ISSUED <i>[Signature]</i> 6/15/10		SIZE B MATERIAL DWG. NO.		REV 0	
NEXT ASSY USED ON APPLICATION DO NOT SCALE DRAWING		SCALE: 1:1 COLOR:		SHEET 1 OF 1			