

DAMMON
ENGINEERING, INC.

CHIEF ENGINEER
EMMETT
DAMMON, P.E.

CHIEF ARCHITECT
ROBERT
WILTSE

554 OLD SPANISH TRAIL
SLIDELL, LA, 70458
OFFICE: 985-649-5832
FAX: 985-641-5950

WEBSITE:
WWW.DAMMONENGINEERING.COM
EMAIL:
DAMMONENG@BLSOUTH.NET

ARCHITECTURE
ENGINEERING
STUDIES
PLANNING
INVESTIGATION
EXPERT WITNESS

PRICE
RESIDENCE

BURLEIGH PRICE
680 CAROLLO DR.
SLIDELL, LA
70458

FOUNDATION
PLAN

REV:

SCALE: AS NOTED

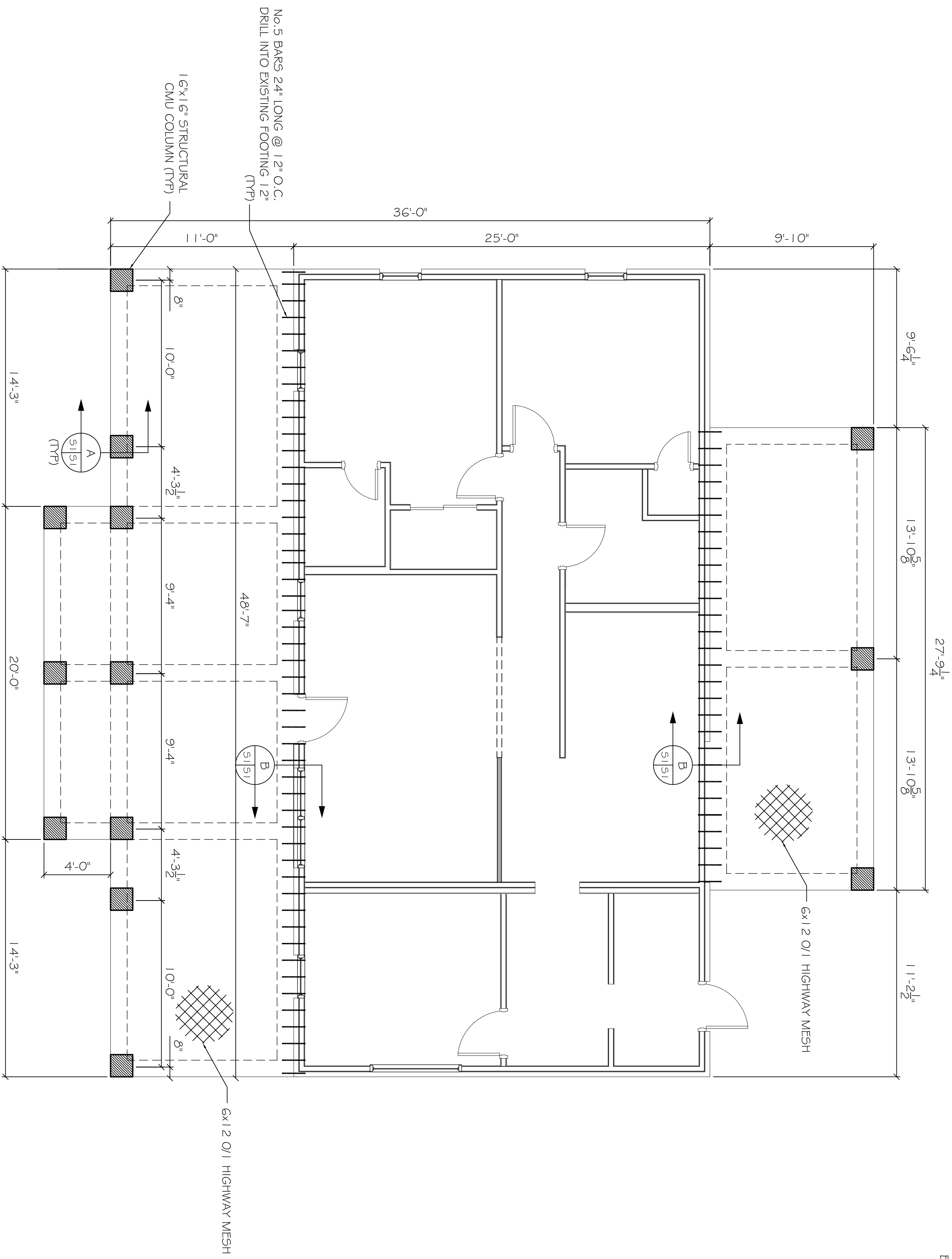
JOB#:

DATE: 03-08-12

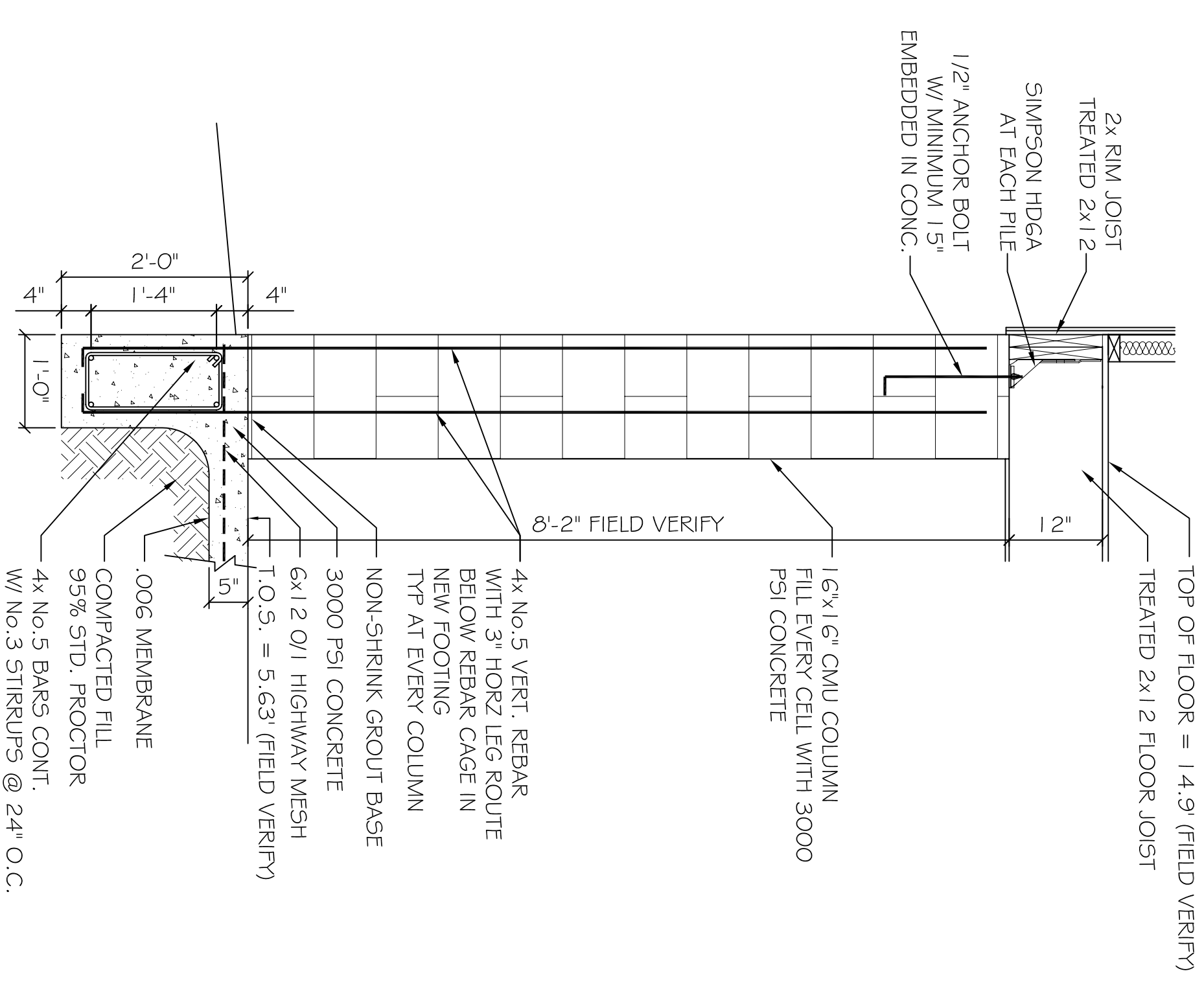
SHEET 4

S-1

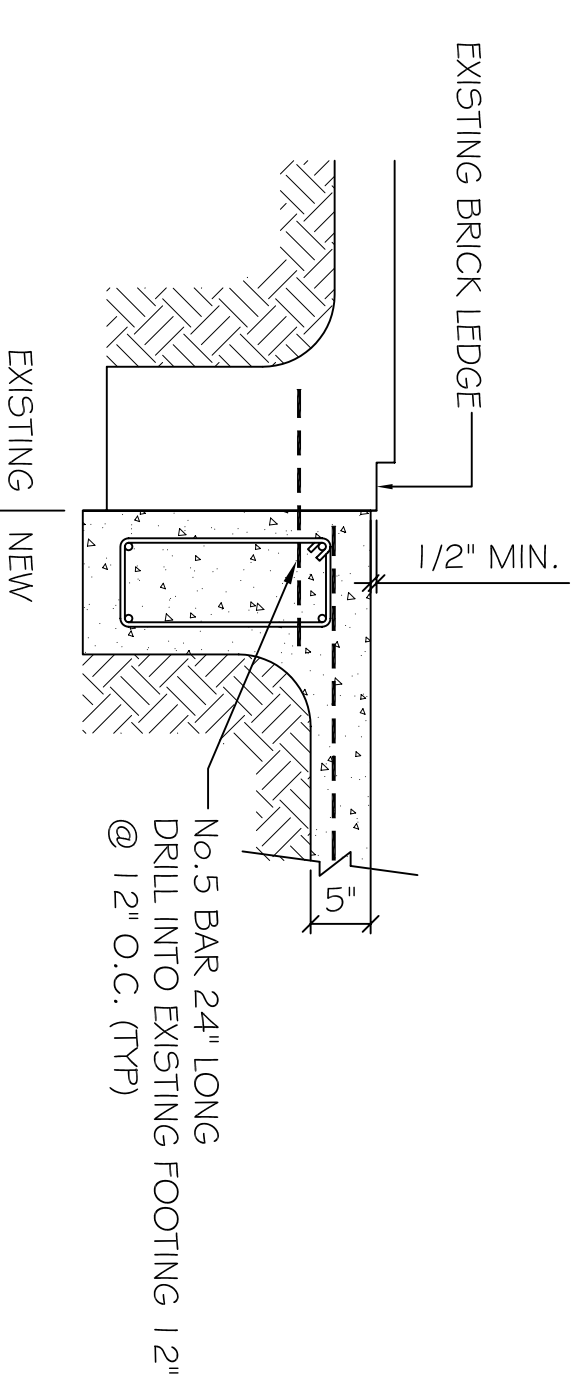
OF 12



FOUNDATION PLAN
SCALE: 1/4"=1'-0"



SECTION
N.T.S. A A2/A4



SECTION
N.T.S. B A2/A4

- NOTES:
1. CONTRACTOR SHALL FIELD VERIFY ALL DIMENSIONS, DEPRESSIONS FROM TO COMMENCING WORK.
 2. DIRT SHALL BE INSTALLED IN 6" LIFTS AND COMPACTED TO 95% MAXIMUM DENSITY.
 3. TREAT SOIL BELOW SLAB FOR TERMITES.
 4. CONCRETE MIX SHALL BE 3000 PSI, MINIMUM.