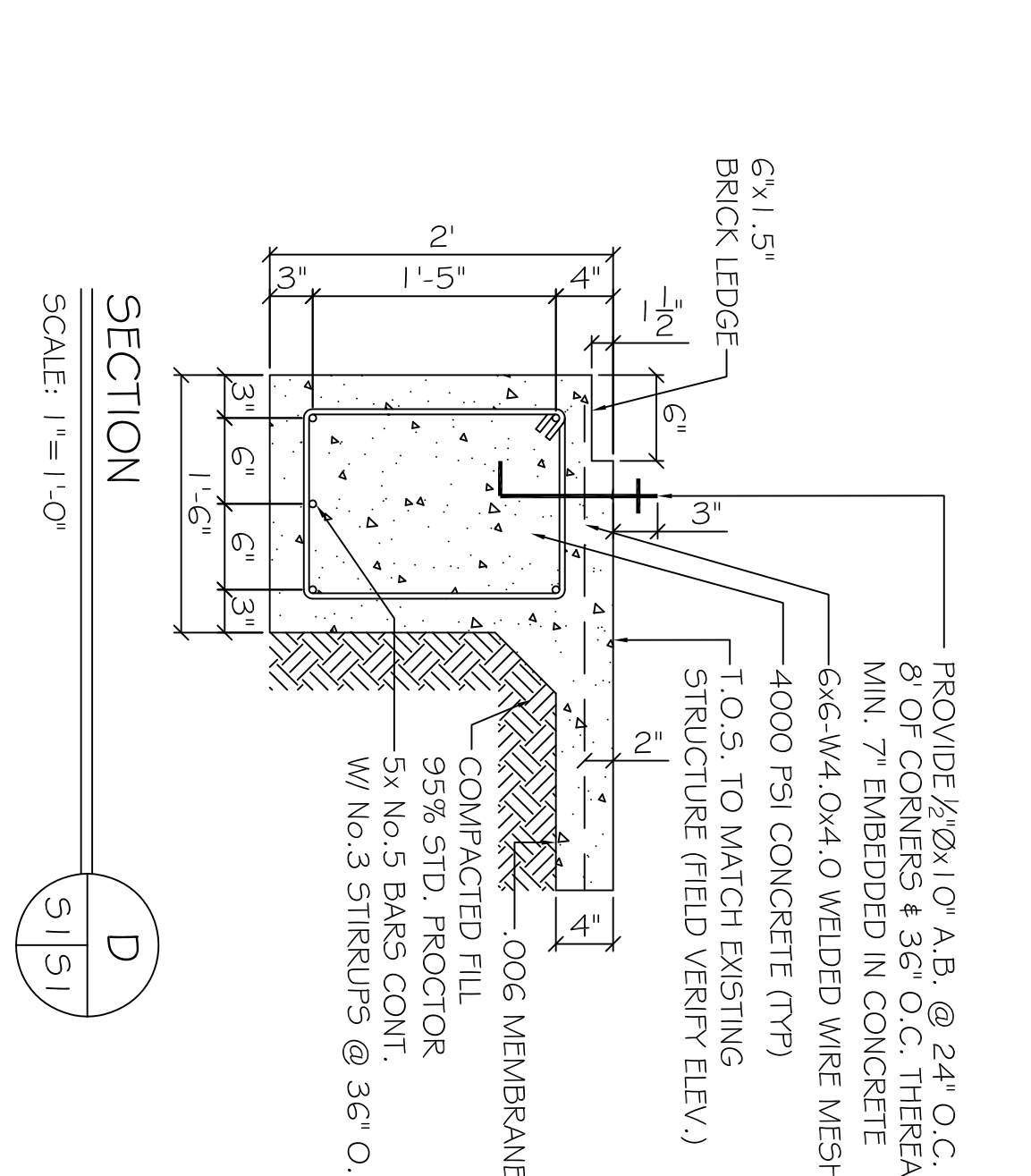
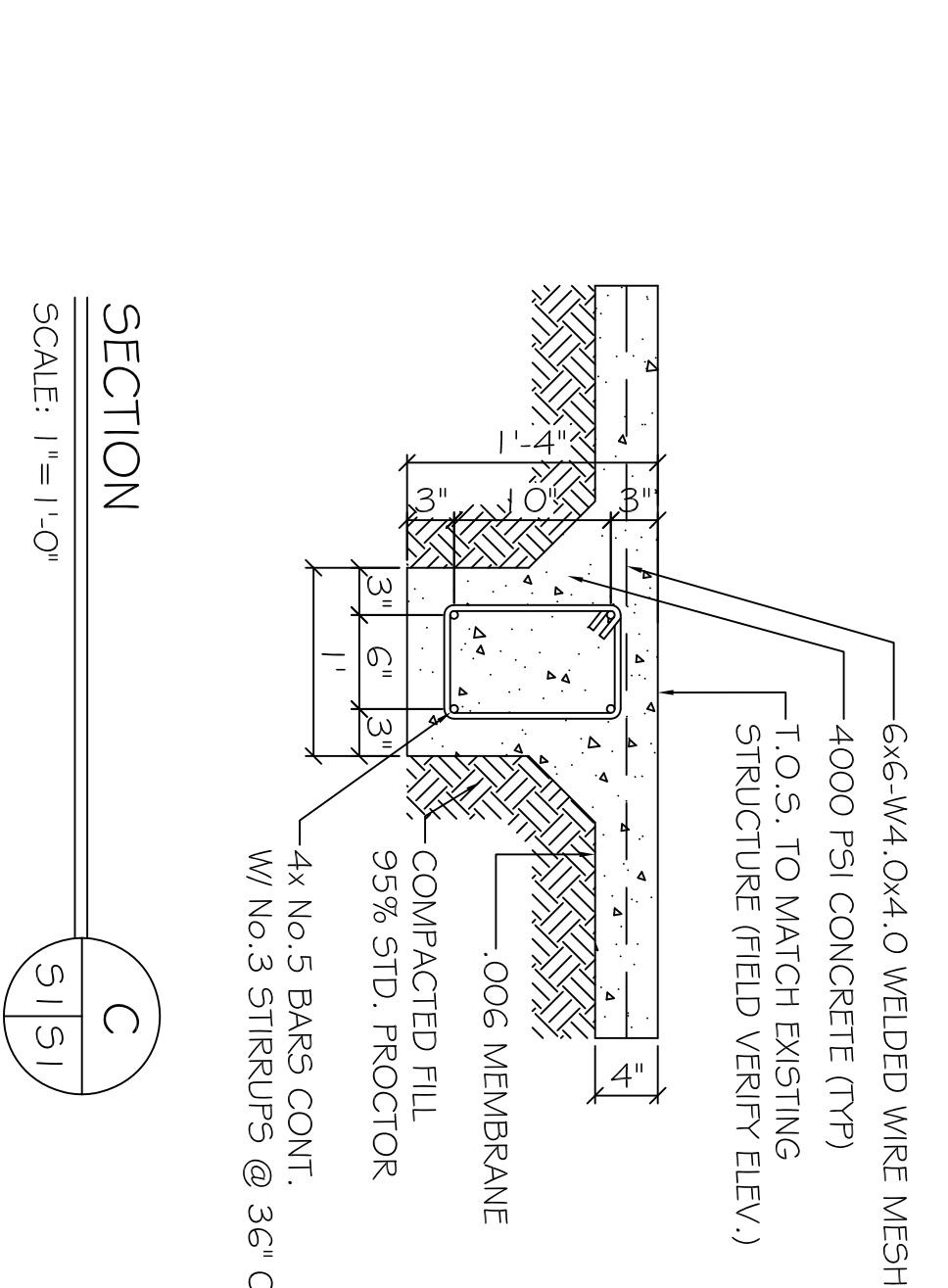
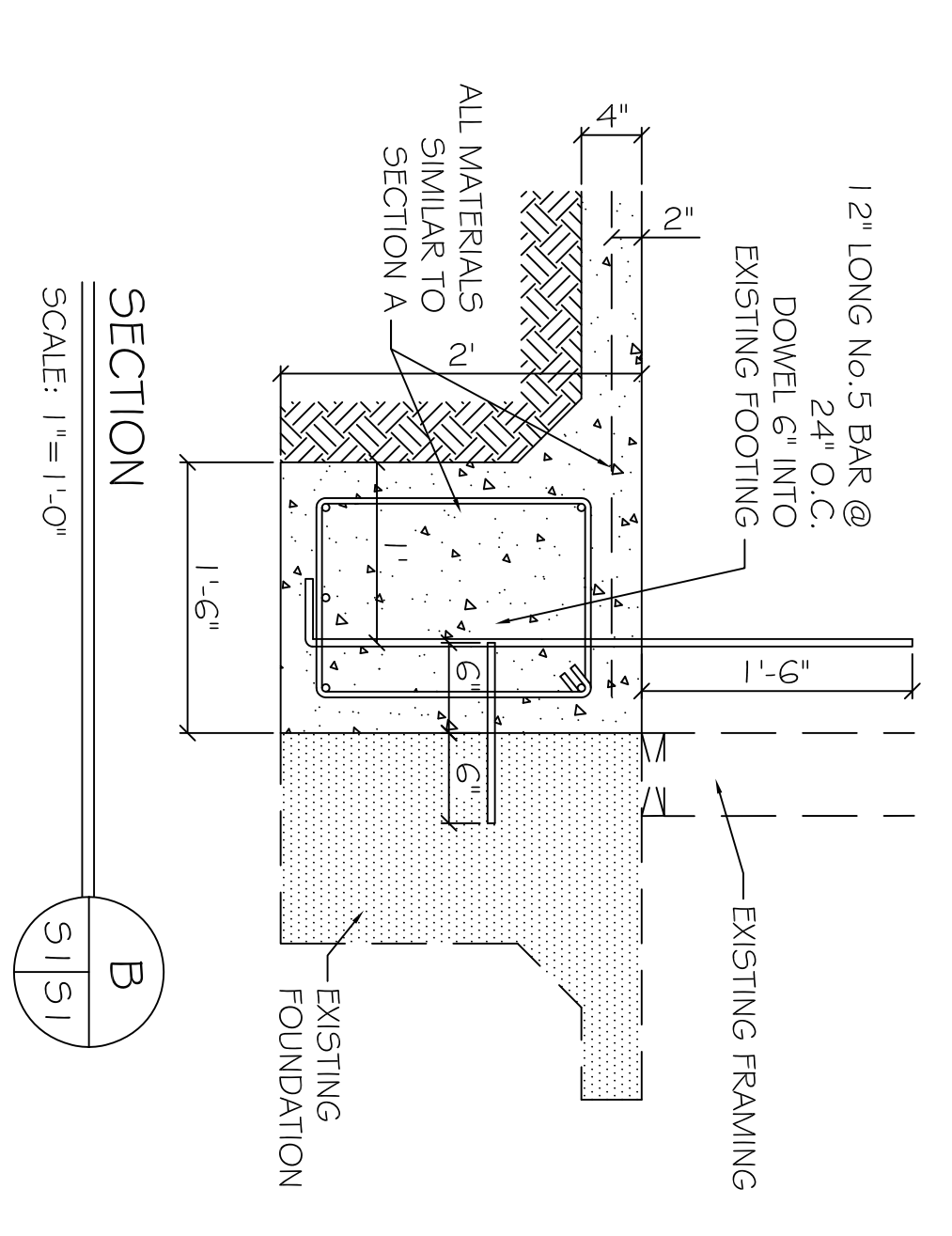
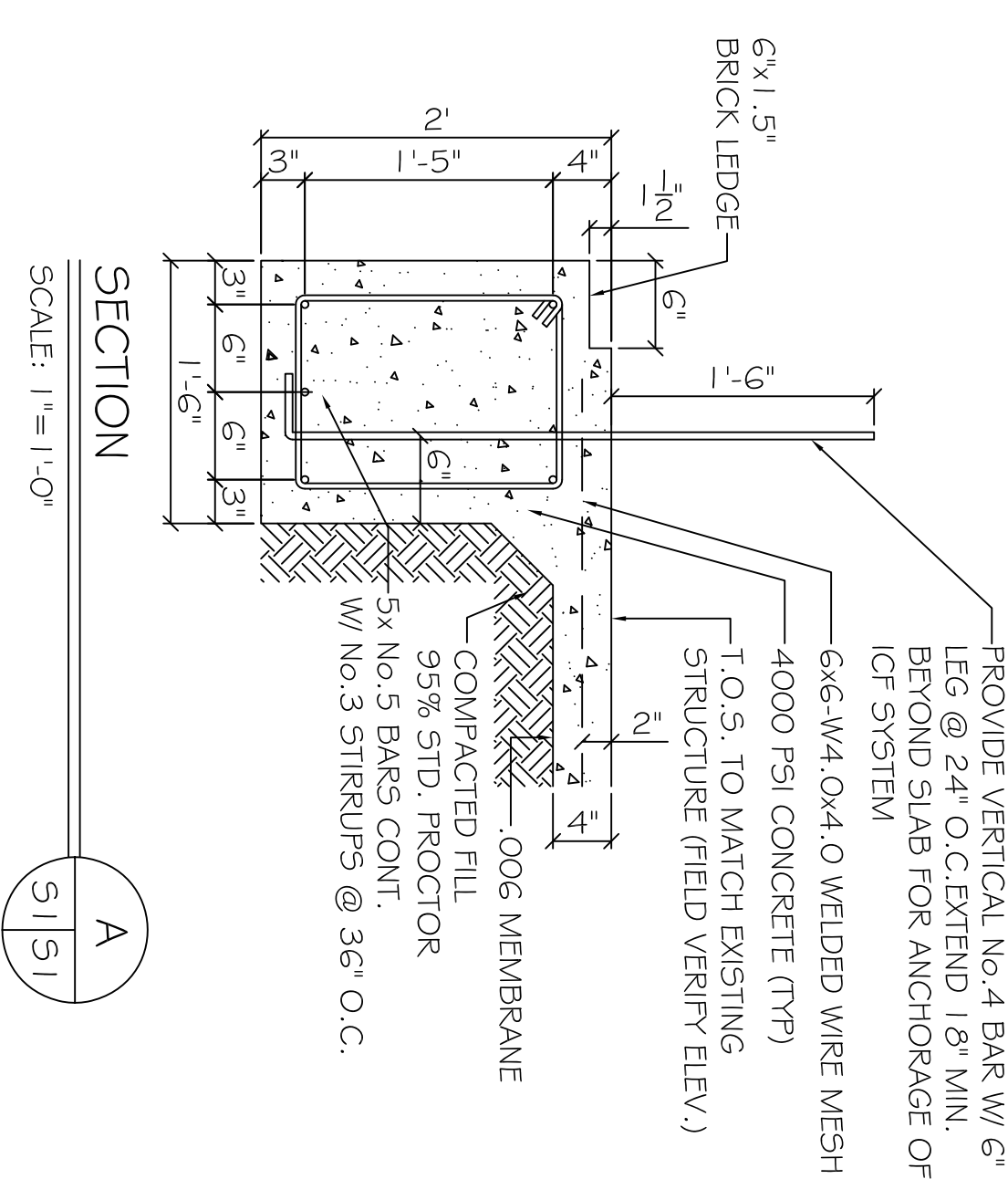


FOUNDATION PLAN
SCALE: 3/16" = 1'-0"



REVISIONS	
#	DESCRIPTION

PAUL WRIGHT
ADDITION TO EXISTING RESIDENCE
 67111 LOUISIANA HWY 434
 LACOMBE, LA
 70135

JOB No: 2147 DATE: 08-06-2012
 DRAWN BY: BSN CHECKED BY: BSN

DAMMON
ENGINEERING, INC.
Architects & Engineers

CHIEF ENGINEER: EMMETT DAMMON, P.E.
 CHIEF ARCHITECT: ROBERT WILTSE
 554 OLD SPANISH TRAIL
 SLIDELL, LA 70458

dammonengineering.com
 dammoneng@bellsouth.net
 PHONE: 985-649-5832
 FAX: 985-641-5950